

NOTES

- ターミナル及びネイルの平坦度は 0.1 MAX. (測定用定板面を基準)
TERMINAL AND NAIL COPLANARITY TO BE 0.1 MAX.(FROM GAUGE PLANE)
- △ スタンドオフ寸法 STAND OFF
- △ パターン禁止エリア PATTERN PROHIBITION AREA
- カード検知スイッチ DETECT SWITCH

カード挿入時 CARD INSERTING POSITION	クローズ CLOSE
カード未挿入時 NO CARD	オープン OPEN
- 肉抜き位置は任意とする。CAVITY IS TO BE OPTIONAL.
- ロット印字は任意とする。LOT NUMBERING IS TO BE OPTIONAL.
- △ GND 推奨パターン GND RECOMMENDED PATTERN.
- ELV 及び RoHS 適合品 ELV AND RoHS COMPLIANT.
- △ カード裏挿し誤挿入時、カード突出エリア (他の部品の設置、非推奨範囲)
WHEN A CARD IS MISS-MATED IN THE REVERSE ORIENTATION, PART OF THE CARD PROTRUDES FROM THE SHELL DUE TO THE CARD-MISS MATING PREVENTION FEATURE. THEREFORE, NO COMPONENTS ARE ALLOWED TO BE PLACED IN THIS AREA.
- 本製品はカード排出性向上品です。
This product is card ejection performance improvement type.

503398-1892	8
EMBOSSED PACKAGE	極数
オーダー番号 ORDER NO.	CIRCUITS

CONNECTOR SERIES No. 503398-1821

RELEASED EC NO: J2012-0534 DRWN: YGOTO 2011/12/13 CHKD: MTOMITA 2011/12/13 APPR: YOITO 2011/12/16	DESCRIPTION GENERAL TOLERANCES (UNLESS SPECIFIED) 10 UNDER ±0.2 10 OVER 30 UNDER ±0.25 30 OVER ±0.3 ANGULAR ±1 ° DRAFT WHERE APPLICABLE MUST REMAIN WITHIN DIMENSIONS	DIMENSION STYLE MM ONLY		SCALE	DESIGN UNITS	THIRD ANGLE PROJECTION	
		DRAWN BY YGOTO	DATE 2011/12/13	---	METRIC		
		CHECKED BY MTOMITA	DATE 2011/12/13	TITLE MICRO SD CONN. PUSH/PUSH & NORMAL SUPER-SMALL TYPE		MOLEX INCORPORATED	
		APPROVED BY YOITO	DATE 2011/12/16	MATERIAL NO. SEE CHART	DOCUMENT NO. SD-503398-003	SHEET NO. 1 OF 3	

THIS DRAWING CONTAINS INFORMATION THAT IS PROPRIETARY TO MOLEX INCORPORATED AND SHOULD NOT BE USED WITHOUT WRITTEN PERMISSION

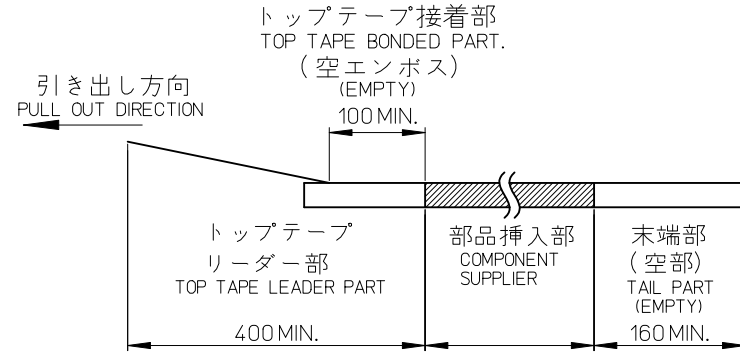
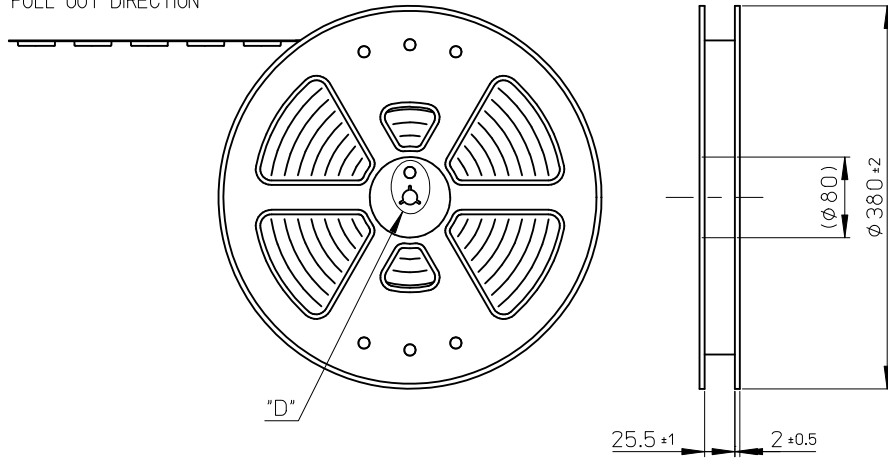
番号 NO.	名称 NAME	材 料 MATERIAL	仕上げ(めっき) FINISHES (PLATING)
①	ハウジング HOUSING	液晶ポリマー(LCP)、ガラス充填、UL94 V-0、黒 LIQUID CRYSTAL POLYMER (LCP), GLASS FILLED, UL94 V-0, BLACK ポリプラスチック製 VECTRA S475 VECTRA S475 MADE OF POLYPLASTICS	
②	カムスライダ CAM SLIDER	液晶ポリマー(LCP)、ガラス充填、UL94 V-0、黒 LIQUID CRYSTAL POLYMER (LCP), GLASS FILLED, UL94 V-0, BLACK ポリプラスチック製 VECTRA E130i VECTRA E130i MADE OF POLYPLASTICS	
③	ターミナル TERMINAL	燐青銅 C52100(±0.15) PHOSPOHR BRONZE C52100(±0.15)	接触部: 金めっき (0.5 μm MIN.) テール部: 錫めっき (2.0 μm MIN.) 下地: ニッケルめっき (1.0 μm MIN.) CONTACT AREA: GOLD PLATING (0.5 MICROMETER MINIMUM.) SOLDER TAIL AREA: TIN PLATING (2.0 MICROMETER MINIMUM.) UNDERPLATE: NICKEL OVERALL (1.0 MICROMETER MINIMUM.)
④	シェル SHELL	ステンレス鋼 SUS301(±0.1) STAINLESS STEEL SUS301(±0.1)	基板実装部: 金めっき (0.02 μm MIN.) 下地: ニッケルめっき (0.5 μm MIN.) NAIL AREA: GOLD PLATING (0.02 MICROMETER MINIMUM.) UNDERPLATE: NICKEL OVERALL (0.5 MICROMETER MINIMUM.)
⑤	スプリング SPRING	ピアノ線 SWP	全面: ニッケルめっき (3.0 μm MIN.) NICKEL OVERALL (3.0 MICROMETER MINIMUM.)
⑥	ピン PIN	ステンレス鋼 SUS304 STAINLESS STEEL SUS304	
⑦	ディテクト レバー DETECT LEVER	燐青銅 C52100(±0.15) PHOSPOHR BRONZE C52100(±0.15)	接触部: 金めっき (0.2 μm MIN.) 基板実装部: 金めっき 下地: ニッケルめっき CONTACT AREA: GOLD PLATING (0.2 MICROMETER MINIMUM.) NAIL AREA: GOLD PLATING UNDERPLATE: NICKEL OVERALL
⑧	ディテクト スイッチ DETECT SWITCH	燐青銅 C52100(±0.15) PHOSPOHR BRONZE C52100(±0.15)	接触部: 金めっき (0.2 μm MIN.) 基板実装部: 金めっき 下地: ニッケルめっき CONTACT AREA: GOLD PLATING (0.2 MICROMETER MINIMUM.) NAIL AREA: GOLD PLATING UNDERPLATE: NICKEL OVERALL

RELEASED EC NO: J2012-0534 DRWN: YGOTO 2011/12/13 CHKD: MTOMITA 2011/12/13 APPR: YOITO 2011/12/16	DESCRIPTION REV: 0	GENERAL TOLERANCES (UNLESS SPECIFIED)		DIMENSION STYLE MM ONLY		SCALE 1:1	DESIGN UNITS METRIC	THIRD ANGLE PROJECTION	
		10 UNDER	±0.2	DRAWN BY YGOTO	DATE 2011/12/13	TITLE MICRO SD CONN. PUSH/PUSH & NORMAL SUPER-SMALL TYPE			
		10 OVER 30 UNDER	±0.25	CHECKED BY MTOMITA	DATE 2011/12/13	MOLEX INCORPORATED SD-503398-003 SHEET NO. 3 OF 3			
		30 OVER	±0.3	APPROVED BY YOITO	DATE 2011/12/16				
ANGULAR ±1 °		DRAFT WHERE APPLICABLE MUST REMAIN WITHIN DIMENSIONS		MATERIAL NO. SEE SEET 1 OF 3		DOCUMENT NO.			
				SIZE A3	THIS DRAWING CONTAINS INFORMATION THAT IS PROPRIETARY TO MOLEX INCORPORATED AND SHOULD NOT BE USED WITHOUT WRITTEN PERMISSION				

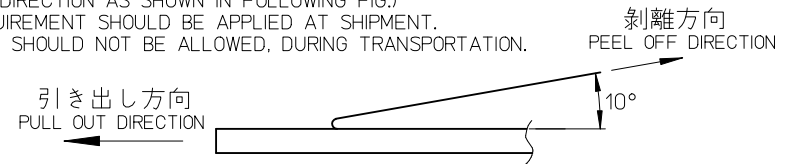
NOTES

- 製品詳細寸法については、SD 図面を参照下さい。
RE DETAILED DIMENSION, SEE SALES DRAWING.
- 梱包数量: 2400個/リール
NUMBER OF CONNECTORS: 2400 PCS/REEL.
- リードテープ長さ LEAD TAPE LENGTH.

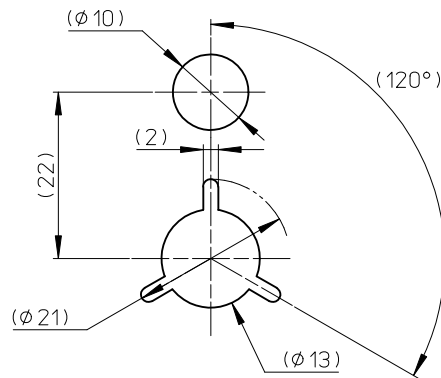
引き出し方向
PULL OUT DIRECTION



- トップテープの剥離強度: JIS C0806-3に準拠(剥離方向は下図参照)
尚、本規格値は出荷時に適用。(但し、輸送時に剥離が発生しないこと。)
PEELING OFF FORCE OF TOP TAPE: BASED UPON JIS C0806-3
(PEELING DIRECTION AS SHOWN IN FOLLOWING FIG.)
THIS REQUIREMENT SHOULD BE APPLIED AT SHIPMENT.
PEEL OFF SHOULD NOT BE ALLOWED, DURING TRANSPORTATION.



- 材料 MATERIAL
キャリアテープ (CARRIER TAPE): ポリスチレン (POLYSTYRENE)
トップテープ (TOP TAPE): PET, PE, PEF
リール (REEL): ポリスチレン (PS) <リサイクル材含む>
POLYSTYRENE (PS) <RECYCLE MATERIAL CONTAINED>

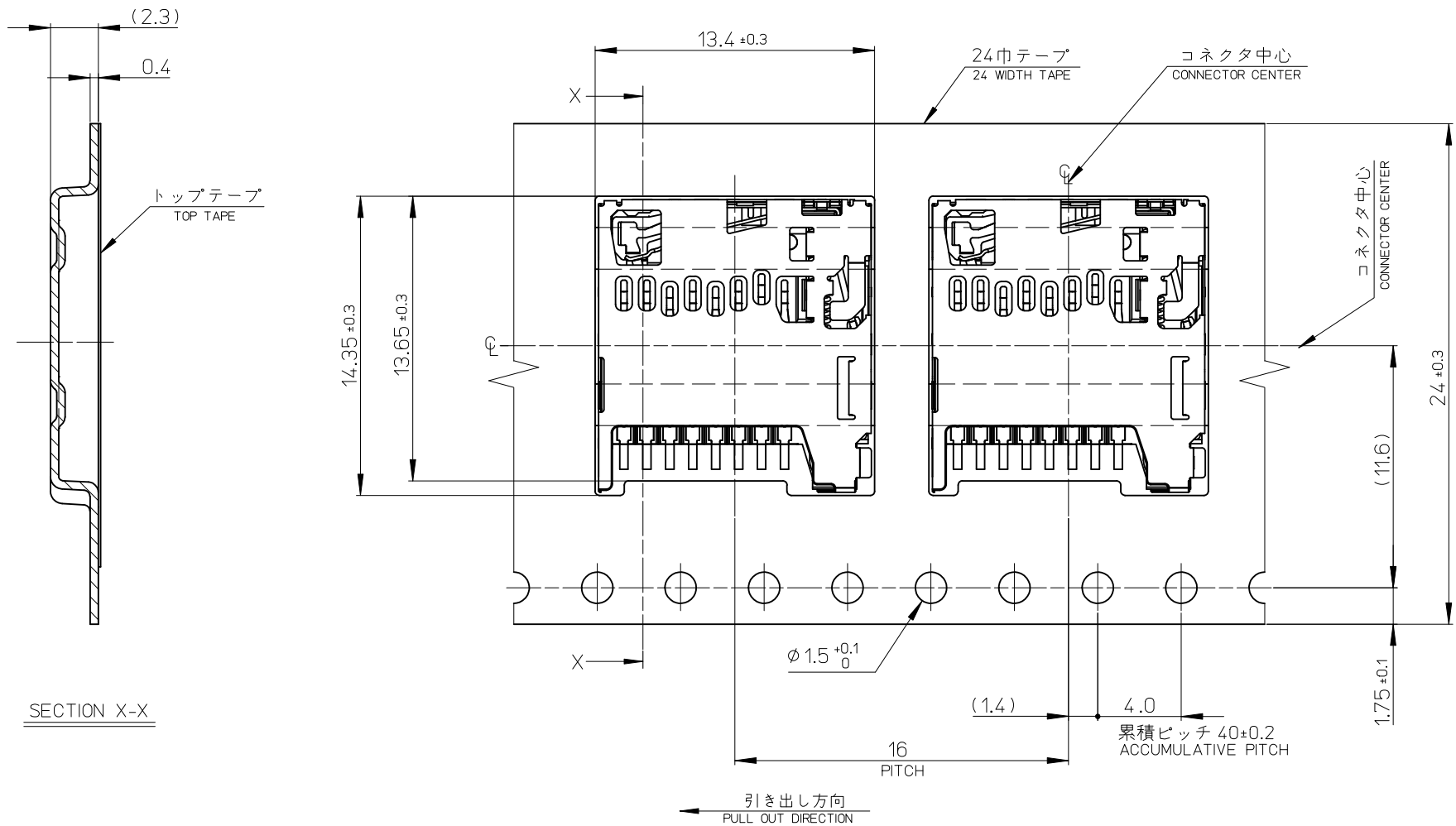


DETAIL "D"

503398-1892	8
EMBOSSED PACKAGE	極数
オーダー番号 ORDER NO.	CIRCUITS
CONNECTOR SERIES No. 503398-1821	

RELEASED EC NO.: J2012-0534 DRWN: YGOTO CHKD: MTOMITA APPR: YOITO O	DESCRIPTION 2011/12/13 2011/12/13 2011/12/16	GENERAL TOLERANCES (UNLESS SPECIFIED)		DIMENSION STYLE MM ONLY		SCALE 1:1	DESIGN UNITS METRIC	THIRD ANGLE PROJECTION		
		10 UNDER	±0.2	DRAWN BY YGOTO	DATE 2011/12/13	TITLE EMBOSSED TAPE PACKAGE FOR 503398-18**				
		10 OVER 30 UNDER	±0.25	CHECKED BY MTOMITA	DATE 2011/12/13	MATERIAL NO. SEE CHART				
		30 OVER	±0.3	APPROVED BY YOITO	DATE 2011/12/16	DOCUMENT NO. SD-503398-004				
ANGULAR ±1 °		DRAFT WHERE APPLICABLE MUST REMAIN WITHIN DIMENSIONS		SIZE A3		SHEET NO. 1 OF 2				

10 9 8 7 6 5 4 3 2 1



RELEASED EC NO: J2012-0534 DRWN: YGOTO CHKD: MTOMITA APPR: YOITO 0	2011/12/13 2011/12/13 2011/12/16	GENERAL TOLERANCES (UNLESS SPECIFIED)		DIMENSION STYLE MM ONLY		SCALE ---	DESIGN UNITS METRIC	THIRD ANGLE PROJECTION		
	10 UNDER ± 0.2		DRAWN BY YGOTO		DATE 2011/12/13		TITLE EMBOSSED TAPE PACKAGE FOR 503398-18**			
	10 OVER 30 UNDER ± 0.25		CHECKED BY MTOMITA		DATE 2011/12/13					
	30 OVER ± 0.3		APPROVED BY YOITO		DATE 2011/12/16		MOLEX INCORPORATED			
	ANGULAR ± 1 °		MATERIAL NO. SEE CHART		DOCUMENT NO. SD-503398-004					
DRAFT WHERE APPLICABLE MUST REMAIN WITHIN DIMENSIONS		SIZE A3		THIS DRAWING CONTAINS INFORMATION THAT IS PROPRIETARY TO MOLEX INCORPORATED AND SHOULD NOT BE USED WITHOUT WRITTEN PERMISSION						