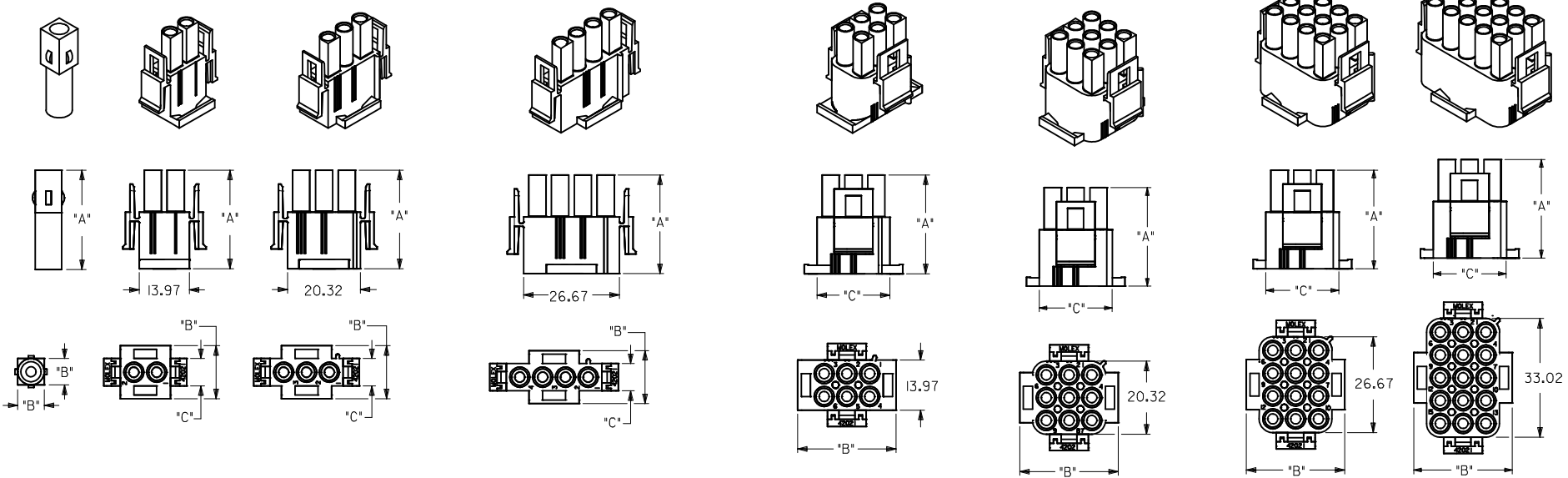


13 12 11 10 9 8 7 6 5 4 3 2 1



<b>ENTER DESCRIPTION</b> EC NO: 12013-0100 DRWN:HRAMAKRISHNA.2013/01/07 CHKD: CHIKO APPR:KPRASAD 2013/03/11 C6	QUALITY SYMBOLS ∇=0 ∇=0 ∇=0	GENERAL TOLERANCES (UNLESS SPECIFIED)		DIMENSION STYLE <b>MM ONLY</b>	SCALE <b>1:1</b>	DESIGN UNITS <b>METRIC</b>	THIRD ANGLE PROJECTION	
		4 PLACES ± --- ± ---	mm INCH	DRAWN BY RK	DATE 87/11/16	TITLE <b>HOUSING, PLUG                  2.13 DIA. SERIES</b>		
		3 PLACES ± --- ± .010		CHECKED BY GWF	DATE 87/11/16	<b>molex</b>		
		2 PLACES ± 0.25 ± 0.14		APPROVED BY GWF	DATE 87/11/16			
1 PLACE ± 0.36 ± ---		ANGULAR ± --- °		THIS DRAWING CONTAINS INFORMATION THAT IS PROPRIETARY TO MOLEX INCORPORATED AND SHOULD NOT BE USED WITHOUT WRITTEN PERMISSION				
0 PLACE ± ±		DRAFT WHERE APPLICABLE MUST REMAIN WITHIN DIMENSIONS						

12 11 10 9 8 7 6 5 4 3 2 1

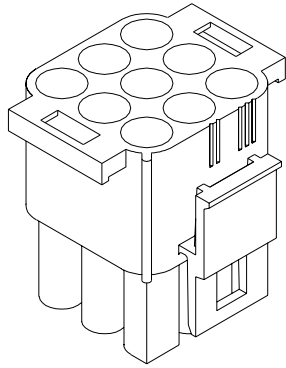
PART NO.	CIRCUIT SIZE	MATERIAL (SEE NOTE 1)	DIM "A"	DIM "B"	DIM "C"
050-84-1010	1	A	27.69	7.37	----
050-84-1015	1	C			
050-84-1020	2	A	27.61	14.73	7.62
050-84-1025	2	C			
050-84-1030	3	A	27.61	14.73	7.62
050-84-1035	3	C			
050-84-1040	4	A	27.61	14.73	7.62
050-84-1045	4	C			
050-84-1060	6	A	27.61	27.43	20.32
050-84-1065	6	C			
050-84-1090	9	A	27.61	27.43	20.32
050-84-1095	9	C			
050-84-1120	12	A	27.61	27.43	20.32
050-84-1125	12	C			
050-84-1150	15	A	27.61	27.43	20.32
050-84-1155	15	C			
366480001	1	D	27.43	7.37	----
366480002	2	D		14.73	7.62
366480003	3	D	27.43		
366480004	4	D			
366480005	6	D			
366480006	9	D			
366480007	12	D			
366480008	15	D			

**NOTES:**

- 1) MATERIAL CODES:
  - \*A= NYLON TYPE 6/6, 94V-2  
COLOR: NATURAL (WHITE/TRANSLUCENT)
  - \*C= NYLON TYPE 6/6, 94V-0  
COLOR: NATURAL (WHITE)
  - \*D= NYLON, 94V-2  
COLOR: BLACK (ZYTEL 101F)
- 2) UNLESS OTHERWISE INDICATED, DIMENSIONS ARE FOR REFERENCE ONLY.
- 3) PLUG HOUSINGS MATE WITH :
  - CAP HOUSINGS, 2.13 DIA. SERIES: (42022-\*\*)
  - HEADER ASSEMBLY HOUSINGS, 2.13 DIA. SERIES: (A-42002-\*\*\*\*\*)
- 4) HOUSINGS DESIGNED TO BE USED WITH TERMINALS :
  - PINS, 2.13 DIA. SERIES: (42023-\*\*\*\*\*)
  - SOCKETS, 2.13 DIA. SERIES: (42024-\*\*\*\*\*)
- 5) CONTACTS ARE ON 6.35 GRID CENTERLINE SPACING.
- 6) PRODUCT SPECIFICATION PS-42022-0001 APPLIES.
- 7) FOR GLOW EIRE COMPATIBLE PART NUMBERS REFER DOCUMENT NO SD-36643-009.

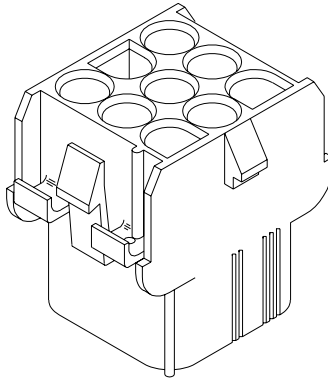
ENTER DESCRIPTION EC NO: 12013-0100 DRWN: MR/MAKRI/SHINA 2013/01/07 CHKD: APPR: KRASAD 2013/03/11 REV: C6	QUALITY SYMBOLS	GENERAL TOLERANCES (UNLESS SPECIFIED)		DIMENSION STYLE <b>MM ONLY</b>		SCALE 1:1	DESIGN UNITS METRIC	THIRD ANGLE PROJECTION	
	$\nabla=0$	4 PLACES	± ---	± ---	mm	INCH	DRAWN BY RK	DATE 87/11/16	TITLE HOUSING, PLUG 2.13 DIA. SERIES
	$\nabla=0$	3 PLACES	± ---	± .010	mm	INCH	CHECKED BY GWF	DATE 87/11/16	
	$\nabla=0$	2 PLACES	± 0.25	± 0.14	mm	INCH	APPROVED BY GWF	DATE 87/11/16	
		1 PLACE	± 0.36	± ---	mm	INCH			
		0 PLACE	±	±	mm	INCH			
		ANGULAR ± ---°				MATERIAL NO.		DOCUMENT NO.	
		DRAFT WHERE APPLICABLE MUST REMAIN WITHIN DIMENSIONS		SIZE A2		SEE TABLE		SD-42021-**	
		THIS DRAWING CONTAINS INFORMATION THAT IS PROPRIETARY TO MOLEX INCORPORATED AND SHOULD NOT BE USED WITHOUT WRITTEN PERMISSION							SHEET NO. 2 OF 2

PLUG HOUSING



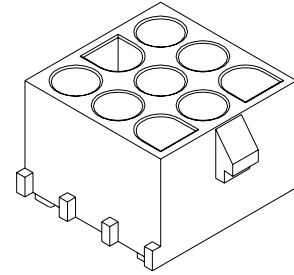
SD-42021-A (V-2)  
SD-42021-B (V-0)

CAP HOUSING



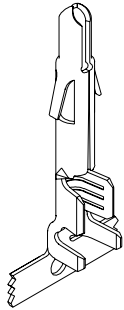
SD-42022-A (V-2)  
SD-42022-B (V-0)

HEADER ASSEMBLY



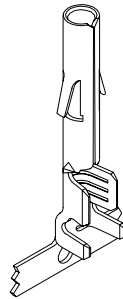
SDA-42002-A1 (V-2, PIN TERMINALS)  
SDA-42002-B1 (V-0, PIN TERMINALS)  
SDA-42002-A2 (V-2, SOCKET TERMINALS)  
SDA-42002-B2 (V-0, SOCKET TERMINALS)

SPLIT PIN TERMINAL



SD-42023-2A1 (BRASS, TIN PLATED)  
SD-42023-2A2 (BRASS, GOLD PLATED)  
SD-42023-2B1 (PHOSPHOR BRONZE, TIN PLATED)  
SD-42023-2B2 (PHOSPHOR BRONZE, GOLD PLATED)

SOCKET TERMINAL



SD-42024-1A1 (BRASS, TIN PLATED)  
SD-42024-1A2 (BRASS, GOLD PLATED)  
SD-42024-1B1 (PHOSPHOR BRONZE, TIN PLATED)  
SD-42024-1B2 (PHOSPHOR BRONZE, GOLD PLATED)

REV	REV	DESCRIPTION
	B	PEG NO. I2004-0443 DRWN: BSS 26/04/04 CHK: GJ 26/04/04 APPR: GJ 26/04/04

QUALITY SYMBOLS	MAJOR =	CRITICAL =
-----------------	---------	------------

GENERAL TOLERANCES: (UNLESS SPECIFIED)	SCALE N.T.S.	DESIGN UNITS <input type="checkbox"/> mm <input checked="" type="checkbox"/> INCH
4 PLACES ±0. ±.	DRAWN BY & DATE MAB 08/05/92	CHECKED BY & DATE KBP 08/05/92
3 PLACES ±0. ±.	APPROVED BY & DATE RAS 08/05/92	CAD FILENAME SDIN42002.DGN
2 PLACES ±0. ±.	ANGULAR: ± 1/2 °	MATERIAL NO. PRELIMINARY
1 PLACE ±0. ±.	DRAFT WHERE APPLICABLE MUST REMAIN WITHIN DIMENSIONS	DRAWING NO. SDIN-42022-0001

DIMENSIONS: <input type="checkbox"/> mm <input checked="" type="checkbox"/> INCH <input type="checkbox"/> mm ONLY	SHT	REV
30° IRD ANGLE PROJECTION	REVISE ON CAD ONLY	

TITLE: MLX CONNECTOR FAMILY		MATERIAL NO. PRELIMINARY		DRAWING NO. SDIN-42022-0001		SHEET NO. 1 OF 1	
MOLEX INCORPORATED				THIS DRAWING CONTAINS INFORMATION THAT IS PROPRIETARY TO MOLEX INCORPORATED AND SHOULD NOT BE USED WITHOUT WRITTEN PERMISSION.			
						SIZE	C