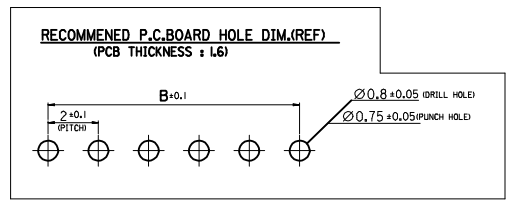
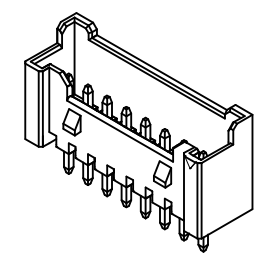
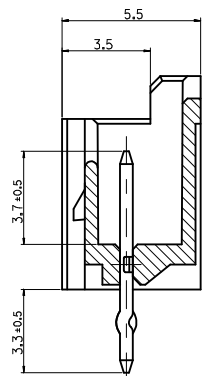


ISOMETRIC VIEW



SECTION K-K'



LEGEND

SD-35362 -***

CTK NO. COLOR

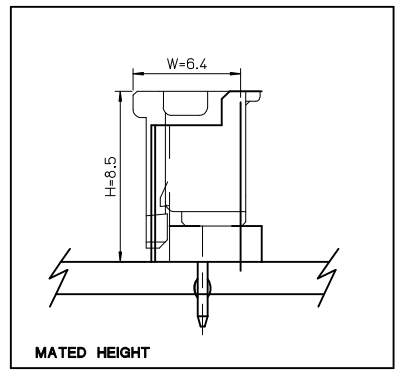
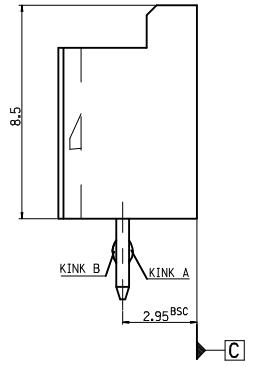
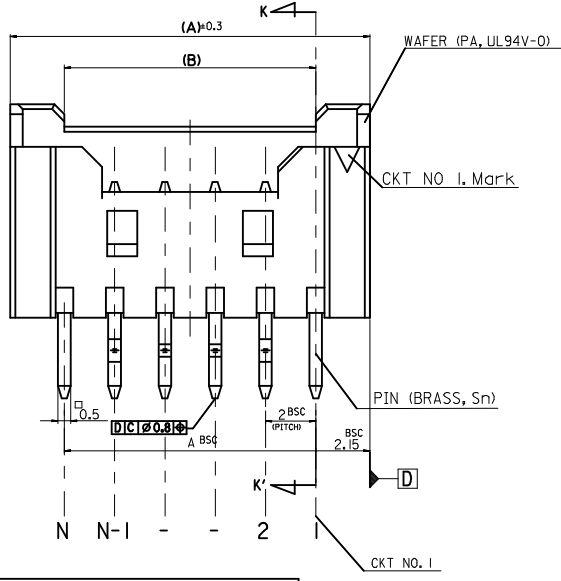
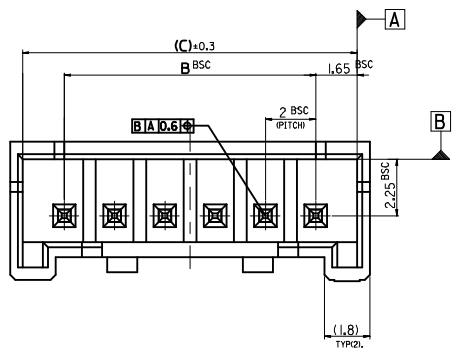
FINAL GOOD (BULK)	5 : SELECTIVE KINK (LEAD FREE)	COLOR	0 : NATURAL
	6 : NONE KINK (LEAD FREE)		1 : BLACK
SUB ASSY (TUBE)	7 : SELECTIVE KINK (LEAD FREE)		2 : RED
	8 : NONE KINK (LEAD FREE)		3 : YELLOW
			4 : BLUE
			5 : GREEN
			6 : TUBE PACKING (Natural Color)
			7 : TUBE PACKING (Red Color)
			8 : TUBE PACKING (Blue Color)

NOTES

- MATERIAL : UNFILLED POLYAMIDE, UL94V-0
PIN : BRASS, TIN PLATED
- FINISHES : PIN : Sn 3-5µm OVERALL
- PRODUCT SPECIFICATION : PS-35507-003
- MATING HOUSING : 35507-***0*
MATING TERMINAL : 50212-8000
- KINK

CTK NO	1	2	3	4	5	N-2	N-1	N
6 CKT OVER	-	A	B	-	-	B	A	-
5 CKT	A	B	-	B	A			
4 CKT	A	B	B	A				

31.3	28	32.3	3536215**	35362-15**	15
29.3	26	30.3	3536214**	35362-14**	14
27.3	24	28.3	3536213**	35362-13**	13
25.3	22	26.3	3536212**	35362-12**	12
23.3	20	24.3	3536211**	35362-11**	11
21.3	18	22.3	3536210**	35362-10**	10
19.3	16	20.3	3536209**	35362-09**	9
17.3	14	18.3	3536208**	35362-08**	8
15.3	12	16.3	3536207**	35362-07**	7
13.3	10	14.3	3536206**	35362-06**	6
11.3	8	12.3	3536205**	35362-05**	5
9.3	6	10.3	3536204**	35362-04**	4
(C)	B	(A)	ENG. NO.	ENG. NO.	CKT



LEAD FREE

30 over	±0.3
10 over 30 under	±0.25
10 under	±0.2
ANGLE	±3°
GENERAL TOLERANCE	

REVISED
EC NO: KOR2014-0116
DRW:KTK1M01 2014/04/15
CHKD:
APPR:YSK1M02 2014/04/21

QUALITY SYMBOLS
F_A=0
F_C=0
F_P=0

GENERAL TOLERANCES (UNLESS SPECIFIED)

	mm	INCH
4 PLACES	± ---	± ---
3 PLACES	± ---	± ---
2 PLACES	± ---	± ---
1 PLACE	± ---	± ---
0 PLACE	±	±

ANGULAR ±---°
DRAFT WHERE APPLICABLE MUST REMAIN WITHIN DIMENSIONS

DIMENSION STYLE
MM ONLY

DRAWN BY: YSOOKIM DATE: 1996/09/11
CHECKED BY: YSOOKIM DATE: 1996/09/11
APPROVED BY: DATE:

MATERIAL NO. SEE TABLE
SIZE: A3

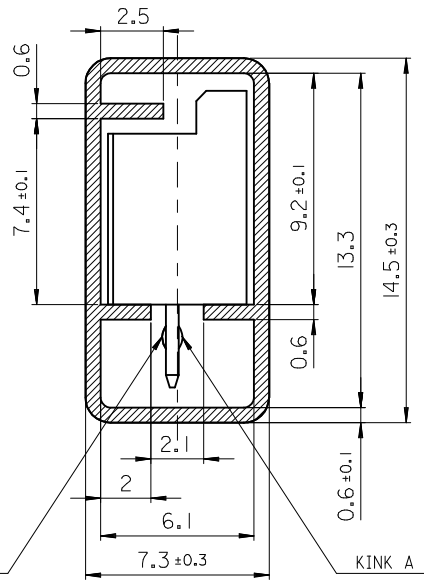
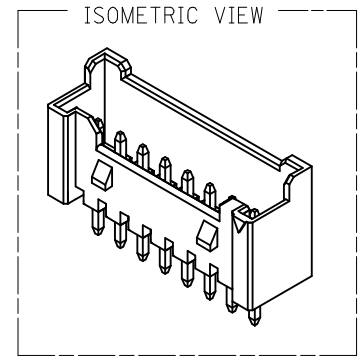
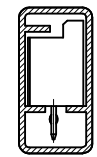
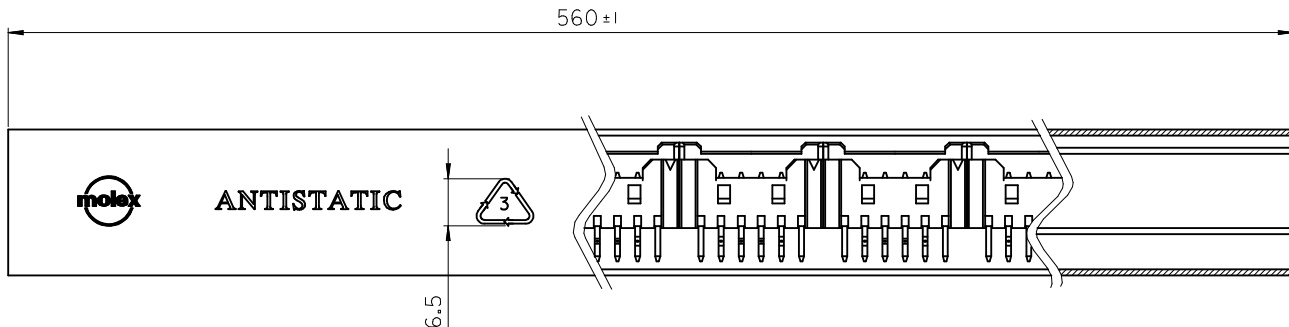
SCALE: 5:1
DESIGN UNITS: METRIC
THIRD ANGLE PROJECTION

TITLE: 2.0 W/B WAFER ASS'Y -LEAD FREE-

molex

DOCUMENT NO. SD-35362-002
SHEET NO. 1 OF 3

THIS DRAWING CONTAINS INFORMATION THAT IS PROPRIETARY TO MOLEX INCORPORATED AND SHOULD NOT BE USED WITHOUT WRITTEN PERMISSION



LEGEND.

E-35362-*** **

2-20 Circuits-**CKT NO.**

Final GOOD (Bulk) — 5 : SELECTIVE KINK
6 : NONE KINK

Sub Assy (Tube) — 7 : SELECTIVE KINK
8 : NONE KINK

COLOR & PACKING

- 0 : NATURAL
- 1 : BLACK
- 2 : RED
- 3 : YELLOW
- 4 : BLUE
- 5 : GREEN
- 6 : TUBE PACKING (Natural Color)
- 7 : TUBE PACKING (RED Color)
- 8 : TUBE PACKING (BLUE Color)

KINK

TABLE

10	20**	-20**	20
10	19**	-19**	19
10	18**	-18**	18
10	17**	-17**	17
15	16**	-16**	16
15	15**	-15**	15
15	14**	-14**	14
15	13**	-13**	13
15	12**	-12**	12
20	11**	-11**	11
20	10**	-10**	10
25	09**	-09**	9
25	08**	-08**	8
30	07**	-07**	7
35	06**	-06**	6
40	05**	-05**	5
50	04**	-04**	4
60	03**	-03**	3
70	3536202**	35362-02**	2
QTY	Material NO.	ENG. NO.	CKT

NOTES

- MATERIAL : TUBE - TRANSLUCENT P.V.C (P-1000)
Wafer - POLYAMIDE, UL94V-0
PIN - BRASS SQ 0.5mm
- BOW(CAMBER) : 1.0mm MAX/Total Length
- DIMENSIONS GIVEN ACROSS CENTER LINES ARE SYMMETRICAL ABOUT THOSE CENTER LINES WITH HALF THE TOTAL LENGTH.
- TOTAL TUBE LENGTH : 560mm + -1mm
- TWIST : 5° MAX./Total Length
- BURRS : 0.2mm MAX.
- SKREW : PRODUCTS MUST BE FLOWED SMOOTHLY WHEN THIS STICK IS PLACES 30° ANGLE.
- THICKNESS : 0.6mm + -0.1mm
- ARTWORK : PER E-35900-0434 (SILK SCREEN COLOR : RED)
- APPLICABLE STOPPER(RUBBER) : 35900-0435

KINK TABLE(FOR 35362-****)

CKT NO	1	2	3	4	5	N-2	N-1	N
6 CKT OVER	-	A	B	-	-	B	A	-
5 CKT	A	B	-	B	A	/	/	/
4 CKT	A	B	B	A	/	/	/	/
3 CKT	A	B	A	/	/	/	/	/
2 CKT	None	Kink	/	/	/	/	/	/

** 35362-0287 IS ONLY KINKED 2P

CKT NO	1	2
PRODUCT NO.	35362-0287	A B

LEAD FREE

REVISED EC NO: KOR2014-0116 DRW/TKI/IM01 2014/04/14 CHKD: APPR: YSK/IM02 2014/04/21	QUALITY SYMBOLS	GENERAL TOLERANCES (UNLESS SPECIFIED)	DIMENSION STYLE	SCALE	DESIGN UNITS	THIRD ANGLE PROJECTION
	$F_A=0$ $F_B=0$ $F_C=0$	mm INCH 4 PLACES ± --- ± --- 3 PLACES ± --- ± --- 2 PLACES ± --- ± --- 1 PLACE ± 0.2 ± --- 0 PLACE ± --- ±	MM ONLY	5:1	METRIC	DRAWN BY: YS00KIM DATE: 2000/12/11 CHECKED BY: JKOH DATE: 2000/12/11 APPROVED BY: DATE:
	MATERIAL NO. 9999999999 DRAFT WHERE APPLICABLE MUST REMAIN WITHIN DIMENSIONS	ANGULAR ± 1° THIS DRAWING CONTAINS INFORMATION THAT IS PROPRIETARY TO MOLEX INCORPORATED AND SHOULD NOT BE USED WITHOUT WRITTEN PERMISSION	TITLE: 2.0 W/B WAFER ASS'Y TUBE PACKING -LEAD FREE- molex	DOCUMENT NO. SD-35362-003 SHEET NO. 1 OF 1		
	SIZE A3					