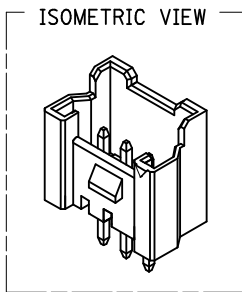
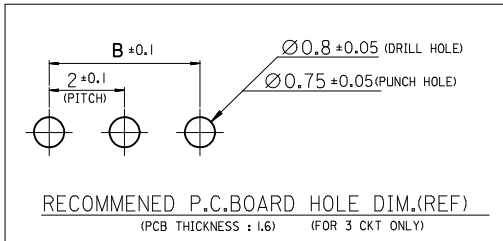
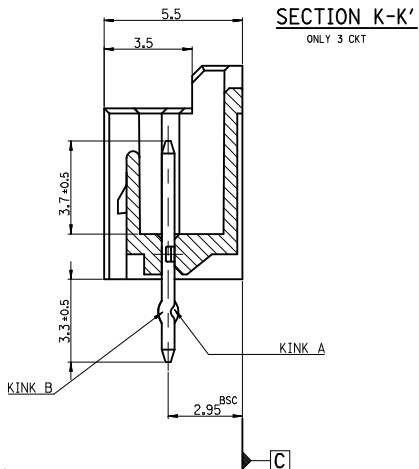
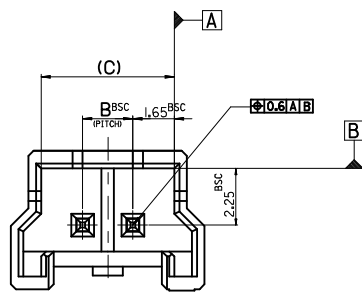


FOR 2 & 3 CKTS.



LEGEND

SD-35362-***
CKT NO. _____ COLOR _____

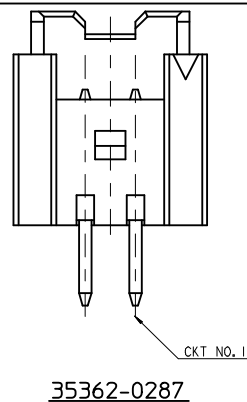
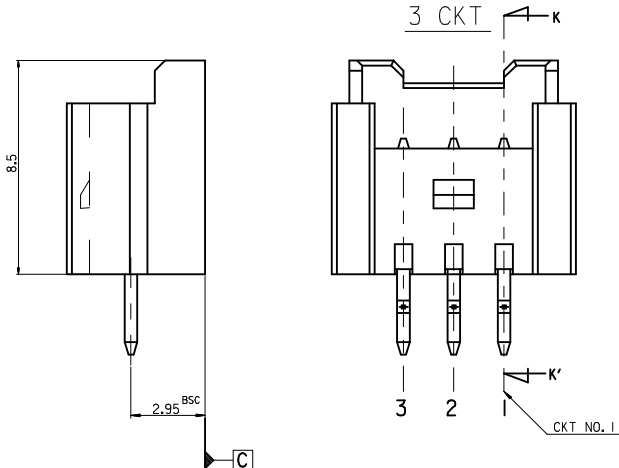
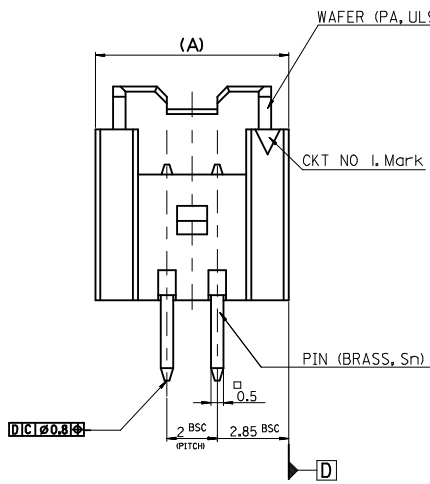
0	: NATURAL
1	: BLACK
2	: RED
3	: YELLOW
4	: BLUE
5	: GREEN
6	: TUBE PACKING (Natural Color)
7	: TUBE PACKING (Red Color)
8	: TUBE PACKING (Blue Color)

FINAL GOOD (BULK)	5 : SELECTIVE KINK (LEAD FREE)
	6 : NONE KINK (LEAD FREE)
SUB ASSY (TUBE)	7 : SELECTIVE KINK (LEAD FREE)
	8 : NONE KINK (LEAD FREE)

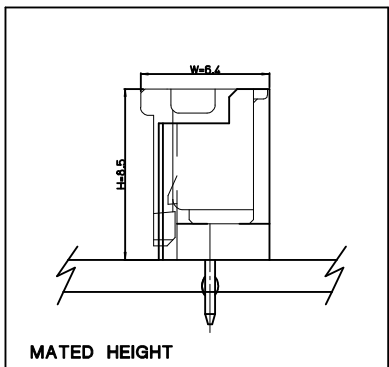
- NOTES**
- MATERIAL : UNFILLED POLYAMIDE, UL94V-0
PIN : BRASS, TIN PLATED
 - FINISHES : PIN : Sn 3-54m OVERALL
 - PRODUCT SPECIFICATION : PS-35507-003
 - MATING HOUSING : 35507-***0*
MATING TERMINAL : 50212-8000
 - KINK

CKT NO	1	2	3
2 CKT			
3 CKT	A	B	A

CKT NO	1	2
PRODUCT NO.		
35362-0287	A	B



35362-0287

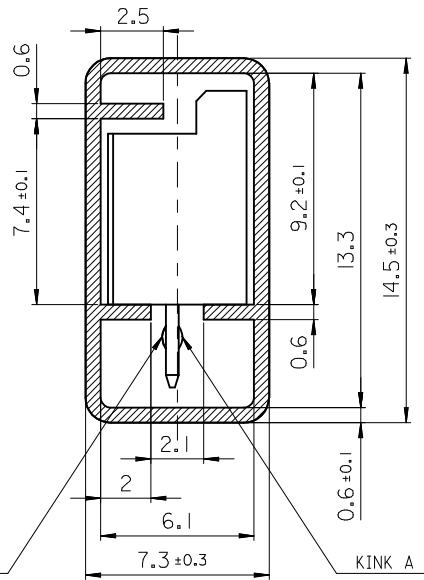
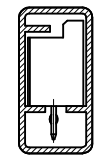
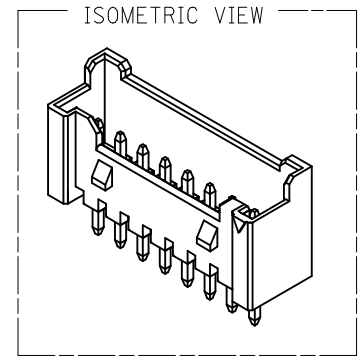
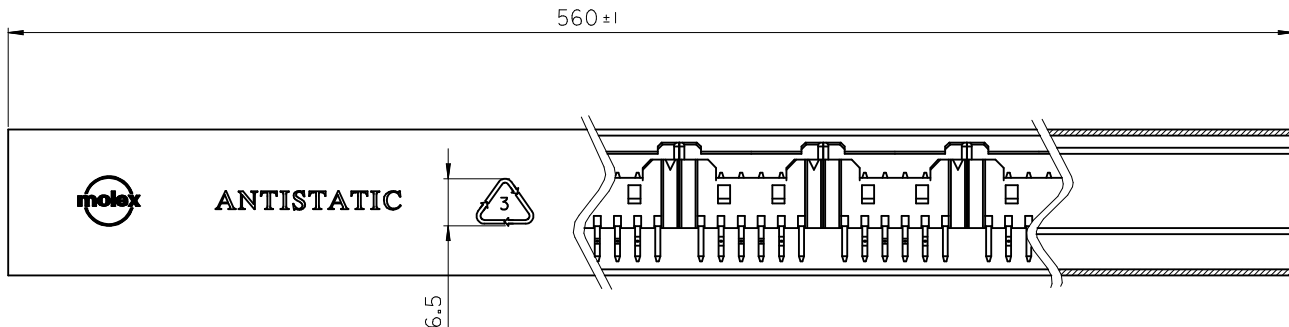


LEAD FREE	
30 over	±0.3
10 over 30 under	±0.25
10 under	±0.2
ANGLE	±3°
GENERAL TOLERANCE	

REVISED
EC NO: KOR2014-0116
DRW: YKIM01 2014/04/15
CHKD: YKIM02
APPR: YKIM02 2014/04/21

7.3	4	9.7	3536203**	35362-03**	3
5.3	2	7.7	3536202**	35362-02**	2
(C)	B	(A)	MATERIAL NO.	ENG. NO.	CKT

QUALITY SYMBOLS	GENERAL TOLERANCES (UNLESS SPECIFIED)	DIMENSION STYLE	SCALE	DESIGN UNITS	THIRD ANGLE PROJECTION
F=0	mm INCH	MM ONLY	5:1	METRIC	
F=0	4 PLACES ± --- ± ---	DRAWN BY	DATE	TITLE	
F=0	3 PLACES ± --- ± ---	YSOOK I M	1996/09/11	2.0 W/B WAFER ASS'Y -LEAD FREE-	
	2 PLACES ± --- ± ---	CHECKED BY	DATE	molex	
	1 PLACE ± --- ± ---	JKOH	1996/09/11		
	0 PLACE ± --- ± ---	APPROVED BY	DATE	DOCUMENT NO.	
	ANGULAR ± --- °	MATERIAL NO.		SD-35362-002	
	DRAFT WHERE APPLICABLE MUST REMAIN WITHIN DIMENSIONS	SEE TABLE		SHEET NO. 2 OF 3	
		THIS DRAWING CONTAINS INFORMATION THAT IS PROPRIETARY TO MOLEX INCORPORATED AND SHOULD NOT BE USED WITHOUT WRITTEN PERMISSION			



LEGEND.

E-35362-*** **

2-20 Circuits-**CKT NO.**

Final GOOD (Bulk) — 5 : SELECTIVE KINK
6 : NONE KINK

Sub Assy (Tube) — 7 : SELECTIVE KINK
8 : NONE KINK

COLOR & PACKING

- 0 : NATURAL
- 1 : BLACK
- 2 : RED
- 3 : YELLOW
- 4 : BLUE
- 5 : GREEN
- 6 : TUBE PACKING (Natural Color)
- 7 : TUBE PACKING (RED Color)
- 8 : TUBE PACKING (BLUE Color)

KINK

△ A

TABLE

10	20**	-20**	20
10	19**	-19**	19
10	18**	-18**	18
10	17**	-17**	17
15	16**	-16**	16
15	15**	-15**	15
15	14**	-14**	14
15	13**	-13**	13
15	12**	-12**	12
20	11**	-11**	11
20	10**	-10**	10
25	09**	-09**	9
25	08**	-08**	8
30	07**	-07**	7
35	06**	-06**	6
40	05**	-05**	5
50	04**	-04**	4
60	03**	-03**	3
70	3536202**	35362-02**	2
QT'y	Material NO.	ENG. NO.	CKT

NOTES

1. MATERIAL : TUBE - TRANSLUCENT P.V.C (P-1000)
Wafer - POLYAMIDE, UL94V-0
PIN - BRASS SQ 0.5mm
2. BOW(CAMBER) : 1.0mm MAX/Total Length
3. DIMENSIONS GIVEN ACROSS CENTER LINES ARE SYMMETRICAL ABOUT THOSE CENTER LINES WITH HALF THE TOTAL LENGTH.
4. TOTAL TUBE LENGTH : 560mm + -1mm
5. TWIST : 5° MAX./Total Length
6. BURRS : 0.2mm MAX.
7. SKEW : PRODUCTS MUST BE FLOWED SMOOTHLY WHEN THIS STICK IS PLACES 30° ANGLE.
8. THICKNESS : 0.6mm + -0.1mm
9. ARTWORK : PER E-35900-0434 (SILK SCREEN COLOR : RED)
10. APPLICABLE STOPPER(RUBBER) : 35900-0435

KINK TABLE(FOR 35362-****)

CKT NO	1	2	3	4	5	N-2	N-1	N
6 CKT OVER	-	A	B	-	-	B	A	-
5 CKT	A	B	-	B	A	/	/	/
4 CKT	A	B	B	A	/	/	/	/
3 CKT	A	B	A	/	/	/	/	/
2 CKT	None	Kink	/	/	/	/	/	/

** 35362-0287 IS ONLY KINKED 2P

CKT NO	1	2
PRODUCT NO.	1	2
35362-0287	A	B

LEAD FREE

REVISED EC NO: KOR2014-0116 DRW/TKI/IM01 2014/04/14 CHKD: APPR: YSK/IM02 2014/04/21	QUALITY SYMBOLS	GENERAL TOLERANCES (UNLESS SPECIFIED)	DIMENSION STYLE	SCALE	DESIGN UNITS	THIRD ANGLE PROJECTION	
	$F_A=0$ $F_B=0$ $F_C=0$	mm INCH 4 PLACES ± --- ± --- 3 PLACES ± --- ± --- 2 PLACES ± --- ± --- 1 PLACE ± 0.2 ± --- 0 PLACE ± --- ±	MM ONLY	5:1	METRIC	DRAWN BY: YS00KIM DATE: 2000/12/11 CHECKED BY: JKOH DATE: 2000/12/11 APPROVED BY: _____ DATE: _____	TITLE: 2.0 W/B WAFER ASS'Y TUBE PACKING -LEAD FREE- molex
	MATERIAL NO. 9999999999	ANGULAR ± 1 ° DRAFT WHERE APPLICABLE MUST REMAIN WITHIN DIMENSIONS	MATERIAL NO. 9999999999	DOCUMENT NO. SD-35362-003	SHEET NO. 1 OF 1	THIS DRAWING CONTAINS INFORMATION THAT IS PROPRIETARY TO MOLEX INCORPORATED AND SHOULD NOT BE USED WITHOUT WRITTEN PERMISSION	
	SIZE A3						