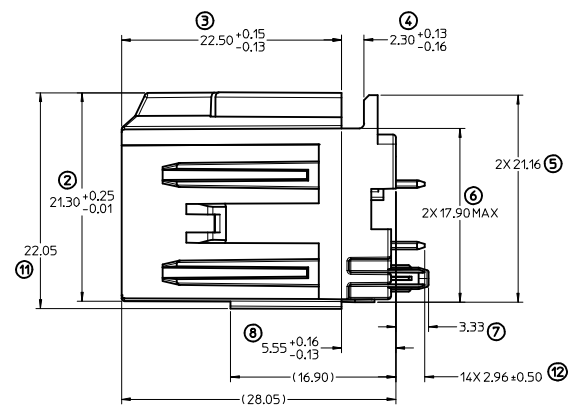
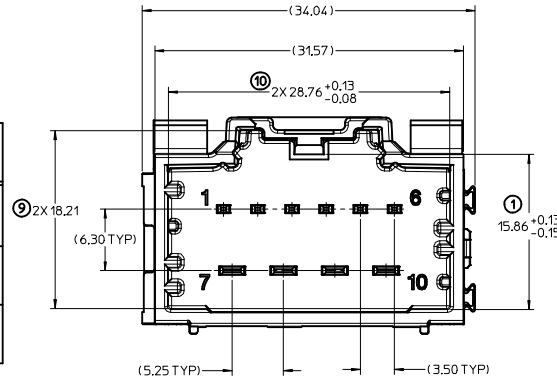
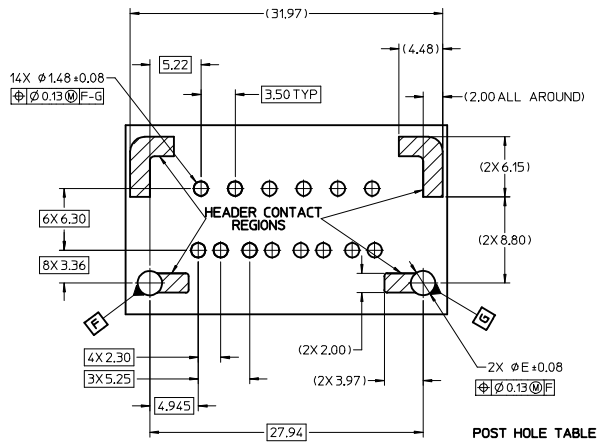


MATERIAL NUMBER		CKT SIZE	DESCRIPTION	POL	COLOR
TUBE PACK	TRAY PACK				
34695-9100	34695-0100	10	POWER STAC VERTICAL HEADER ASSEMBLY	A	BLACK
34695-9101	34695-0101	10	POWER STAC VERTICAL HEADER ASSEMBLY	B	GREY
34695-9102	34695-0102	10	POWER STAC VERTICAL HEADER ASSEMBLY	C	BROWN



RECOMMENDED PCB LAYOUT



POST HOLE TABLE

FOR DIM E:	
PRESS FIT	Ø2.60
DROP IN	Ø3.05

NOTES: VALID UNLESS OTHERWISE SPECIFIED
1. GENERAL:

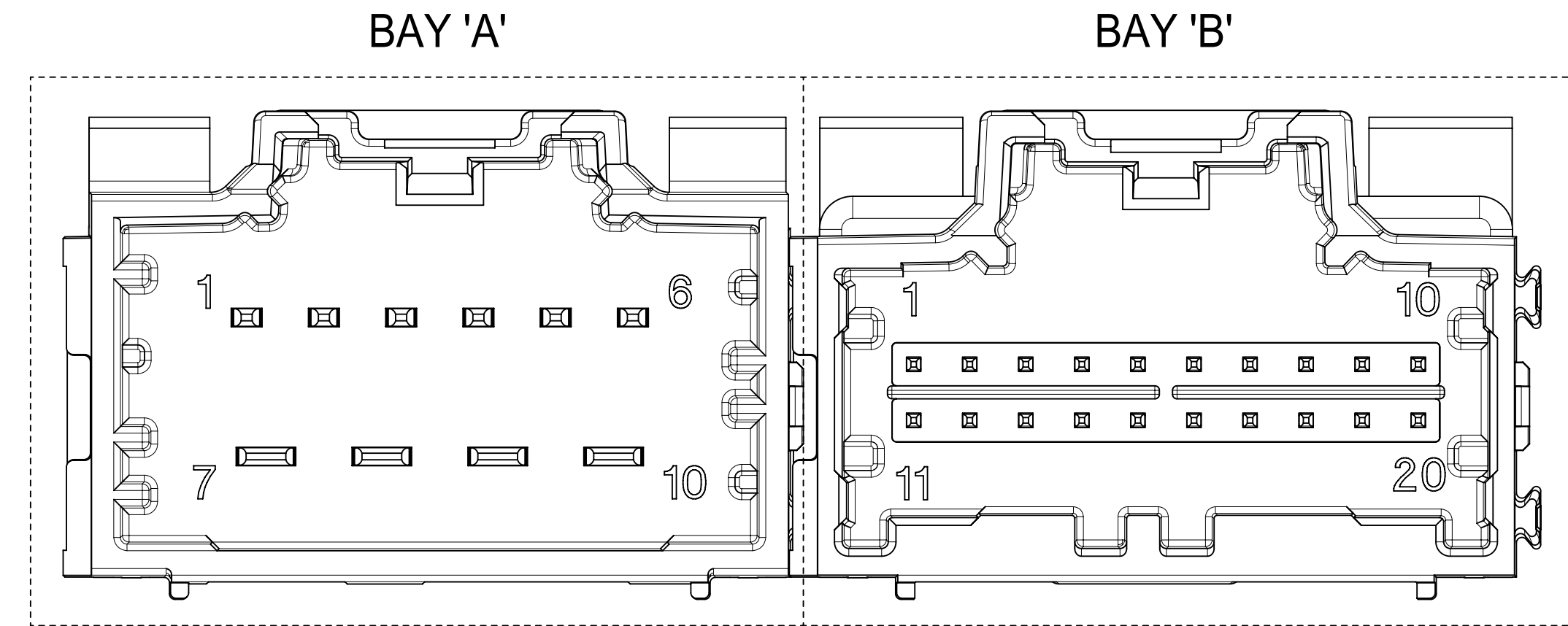
- a. CONNECTOR HEADER MUST BE VALIDATED TO THE FOLLOWING FUNCTIONAL REQUIREMENTS:
PIN RETENTION - USCAR-2 REV 4
SOLDERABILITY - SMES-152
 - b. APPLICATION REQUIREMENTS (REFERENCE ONLY) FOR:
SEE APPLICATION SPECIFICATION - AS-34690-000
SEE PRODUCT SPECIFICATION - PS-31372-100
MATES WITH: SD-31372-900
 - c. PACKAGING SPECIFICATION PER MOLEX DRAWING PK-31300-892
2. DESIGN MATERIALS:
- a. SHROUD (PLASTIC HOUSING):
RESIN - SPS 30%GF
 - b. 150mm BLADES:
BASE MATERIAL: C19400
PLATING TYPE: AS NOTED
 - c. 280mm BLADES:
BASE MATERIAL: C19400
PLATING TYPE: AS NOTED
3. PLATING REQUIREMENTS:
- a. UNDERPLATING - OVERALL NICKEL
 - b. OVERPLATING - OVERALL TIN

UPDATED DIMENSIONS EC NO: UAU2013-1619 DRAWN: FISCHER01 2013/04/15 CHKD: APPR: RBAUMAN 2013/04/26	QUALITY SYMBOLS	GENERAL TOLERANCES (UNLESS SPECIFIED)	DIMENSION STYLE	SCALE	DESIGN UNITS	THIRD ANGLE PROJECTION															
	$\nabla=0$ $\nabla=0$	<table border="1"> <thead> <tr> <th></th> <th>mm</th> <th>INCH</th> </tr> </thead> <tbody> <tr> <td>4 PLACES</td> <td>±---</td> <td>±---</td> </tr> <tr> <td>3 PLACES</td> <td>±---</td> <td>±---</td> </tr> <tr> <td>2 PLACES</td> <td>±0.13</td> <td>±---</td> </tr> <tr> <td>1 PLACE</td> <td>±0.25</td> <td>±---</td> </tr> </tbody> </table>		mm	INCH	4 PLACES	±---	±---	3 PLACES	±---	±---	2 PLACES	±0.13	±---	1 PLACE	±0.25	±---	MM ONLY	4:1	METRIC	
		mm	INCH																		
	4 PLACES	±---	±---																		
3 PLACES	±---	±---																			
2 PLACES	±0.13	±---																			
1 PLACE	±0.25	±---																			
DRAWN BY: MBAILEY CHECKED BY: CDILLON APPROVED BY:	DATE: 10/02/06 DATE: 04/18/07 DATE:	TITLE	STAC64 SINGLE BAY VERT 10 CKT. HEADER ASSEMBLY SALES DRAWING																		
	DRAFT WHERE APPLICABLE MUST REMAIN WITHIN DIMENSIONS	ANGULAR ± 3°	SEE CHART	MOLEX INCORPORATED SD-34695-100																	

DIMENSIONAL CHART FOR MULTIBAY CONFIGURATION:

PART NUMBER (TUBE PKG)	PART NUMBER (TRAY PKG)	BAY A			BAY B			DIM 'A'	DIM 'B'	DIM 'C'	DIM 'D'
		CKT	TYPE	POL	CKT	TYPE	POL				
34707-7000	34707-2000	20	0.64mm	A	20	0.64mm	B	66.94	64.47	27.94	27.94
TBD	34707-2001	20	0.64mm	A	20	0.64mm	C	66.94	64.47	27.94	27.94
TBD	34707-2002	20	0.64mm	C	20	0.64mm	D	66.94	64.47	27.94	27.94
TBD	34707-2003	20	0.64mm	C	20	0.64mm	A	66.94	64.47	27.94	27.94
TBD	34707-2004	12	0.64mm	A	20	0.64mm	A	56.78	54.31	17.78	27.94
TBD	34707-2005	12	0.64mm	A	10	HYBRID	A	56.78	54.31	17.78	27.94
TBD	34707-2006	12	0.64mm	B	10	HYBRID	A	56.78	54.31	17.78	27.94
TBD	34707-2007	10	HYBRID	A	20	0.64mm	B	66.94	64.47	27.94	27.94
34707-7012	34707-2012	10	HYBRID	A	20	0.64mm	C	66.94	64.47	27.94	27.94
TBD	34707-2022	20	0.64mm	C	10	HYBRID	A	66.94	64.47	27.94	27.94
TBD	34707-2023	20	0.64mm	A	20	0.64mm	D	66.94	64.47	27.94	27.94
TBD	34707-2030	10	HYBRID	B	10	HYBRID	A	66.94	64.47	27.94	27.94
TBD	34707-2040	12	0.64mm	A	12	0.64mm	B	46.62	44.15	17.78	17.78
TBD	34707-2050	20	0.64mm	A	16	0.64mm	A	61.86	59.39	27.94	22.86
TBD	34707-2060	20	0.64mm	A	12	0.64mm	A	56.78	54.31	27.94	17.78
TBD	34707-2070	16	0.64mm	A	8	0.64mm	C	46.62	44.15	22.86	12.70
34707-7080	34707-2080	12	0.64mm	A	20	0.64mm	B	56.78	54.31	17.78	27.94
TBD	34707-2090	16	0.64mm	A	16	0.64mm	B		54.31		

2 BAY STAC64 VERTICAL HEADER ASSEMBLY (P/N: 34707-2012 SHOWN)



NOTES: VALID UNLESS OTHERWISE SPECIFIED

1. GENERAL:

a. CONNECTOR HEADER MUST BE VALIDATED TO THE FOLLOWING FUNCTIONAL REQUIREMENTS:

PRODUCT SPECIFICATION:
8-20 CKT 0.64mm PRODUCT SPEC: PS-34729-100/PS-31408-100
10/14 CKT HYBRID PRODUCT SPEC: PS-31372-100

b. APPLICATION REQUIREMENTS (REFERENCE ONLY):

APPLICATION SPECIFICATION: AS-34729-020/AS-31408-100

c. PACKAGING SPECIFICATION PER MOLEX DRAWING PK-31300-892 (TRAY)

d. PACKAGING SPECIFICATION PER MOLEX DRAWING PK-31301-063 (TUBE)

2. DESIGN: MATERIALS:

a. SHROUD (PLASTIC HOUSING):

RESIN - SPS 30%GF

COLORS:

POL A - BLACK

POL B - GRAY

POL C - BROWN

POL D - GREEN

b. 0.64mm PINS:

BASE MATERIAL: C26000

PLATING TYPE: AS NOTED

1.50/2.80mm BLADES:

BASE MATERIAL: C19400

PLATING TYPE: AS NOTED

3. PLATING REQUIREMENTS:

a. UNDERPLATING - OVERALL NICKEL

b. OVERPLATING - OVERALL TIN

4. FOR DESCRIPTION OF INDIVIDUAL BAYS, REFER TO THE FOLLOWING

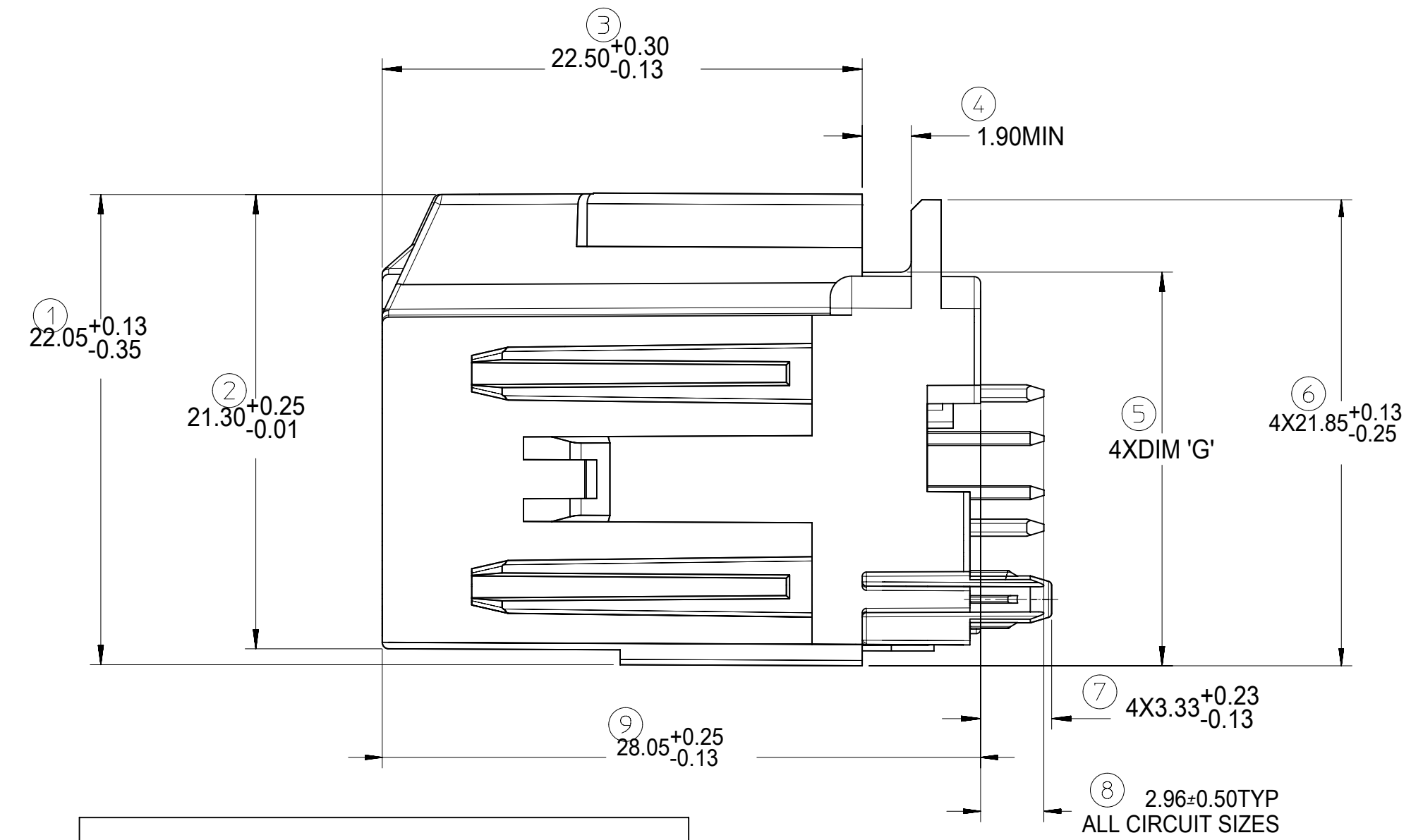
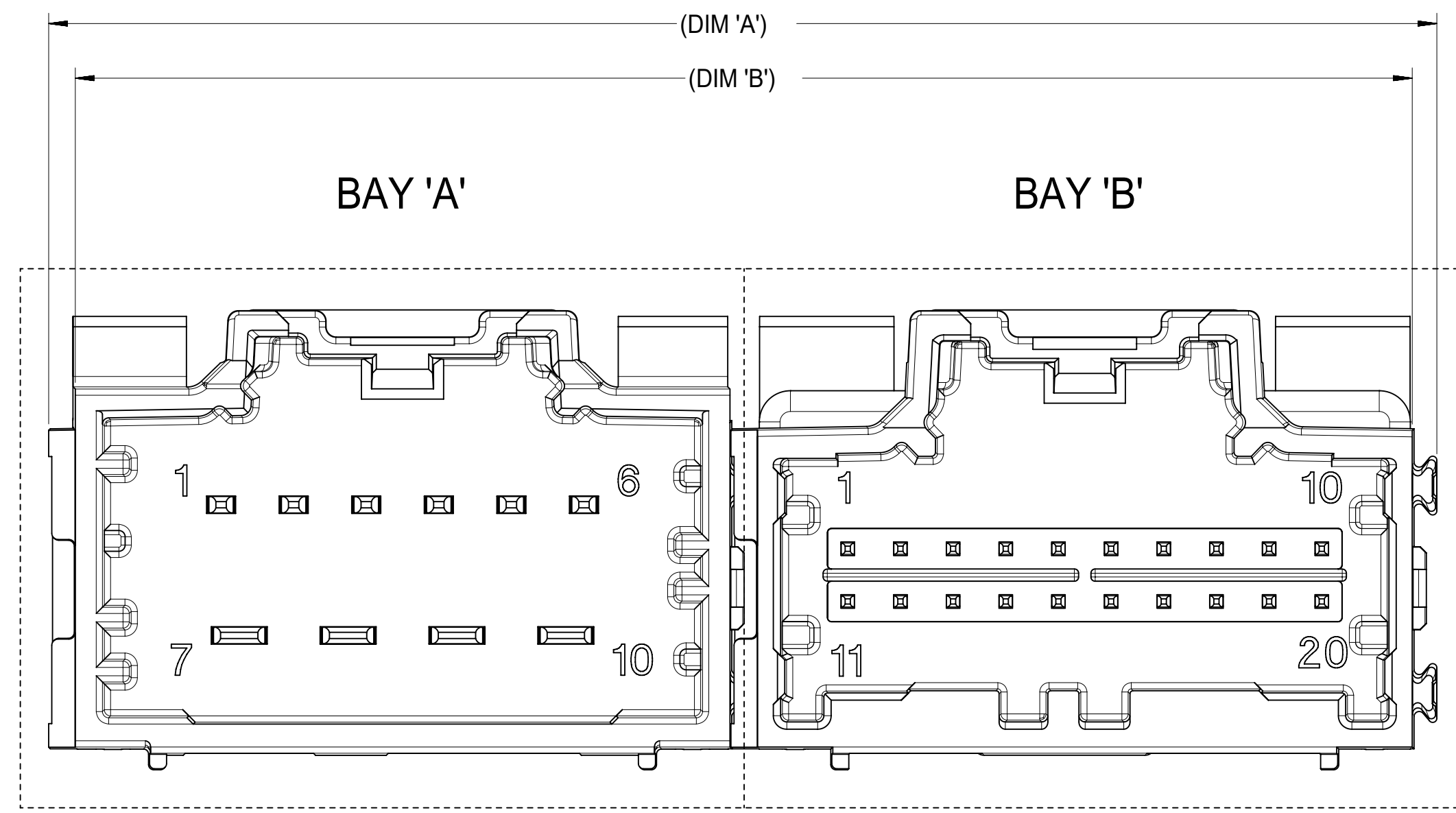
SINGLE BAY DRAWINGS:

8-20 CKT 0.64: SD-34690-100

10 CKT HYBRID: SD-34695-100

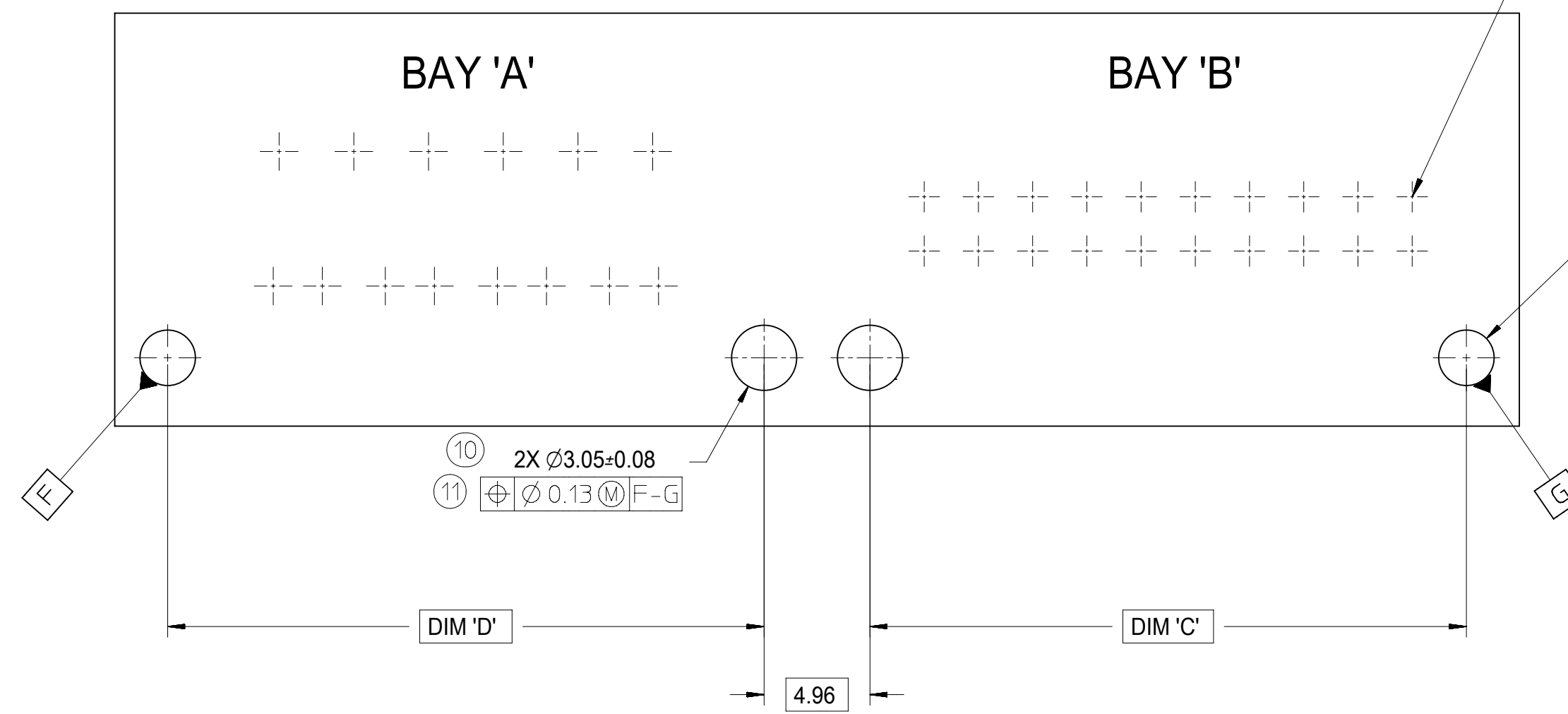
14 CKT HYBRID: SD-34772-200

QUALITY SYMBOLS	THIS DRAWING CONTAINS INFORMATION THAT IS PROPRIETARY TO MOLEX ELECTRONIC TECHNOLOGIES, LLC AND SHOULD NOT BE USED WITHOUT WRITTEN PERMISSION									
▽ = 0	EC NO: 169700 DRWN: JFISCHER01 CHKD: RBAJUMAN REV APPR:	2017/12/18 2017/12/19	GENERAL TOLERANCES (UNLESS SPECIFIED)		DIMENSION UNITS	SCALE	<p>2-BAY STAC64 VERTICAL HEADER ASSEMBLY SALES DRAWING</p> <p>PRODUCT CUSTOMER DRAWING</p> <p>SERIES: 34707 MATERIAL NUMBER: SD-34707-200 CUSTOMER: GENERAL MARKET</p> <p>DOCUMENT NUMBER: PSD 001 SHEET NUMBER: 1 OF 4</p>			
▽ = 0			ANGULAR TOL ± 3.0 °		mm	1:1				
▽ = 0			4 PLACES ±		DRWN BY	DATE				
▽ = 0			3 PLACES ±		MBAILEY	2008/08/14				
▽ = 0			2 PLACES ± 0.13		CHKD BY	DATE				
▽ = 0			1 PLACE ± 0.25		CDILLON	2009/02/17				
▽ = 0			0 PLACES ±		APPR BY	DATE				
▽ = 0			DRAFT WHERE APPLICABLE MUST REMAIN WITHIN DIMENSIONS		SMARCEAU	2008/08/14				
▽ = 0			D		DRAWING SIZE	THIRD ANGLE PROJECTION				
▽ = 0			K6							



RECOMMENDED PCB LAYOUT

INSERT NECESSARY BAY'S USING THE CHART ON SHEET 1.



FOR HOLE LOCATION REFER TO TEMPLATE ON SHEET 4

2X $\phi Z=0.08$ (12)
 $\phi \phi 0.13$ (13)

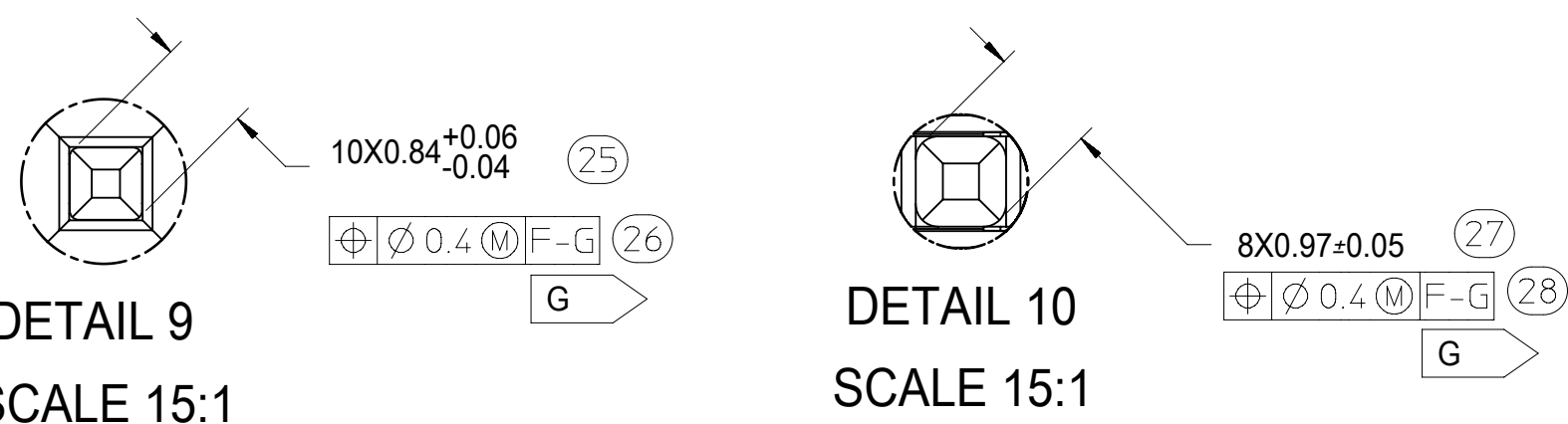
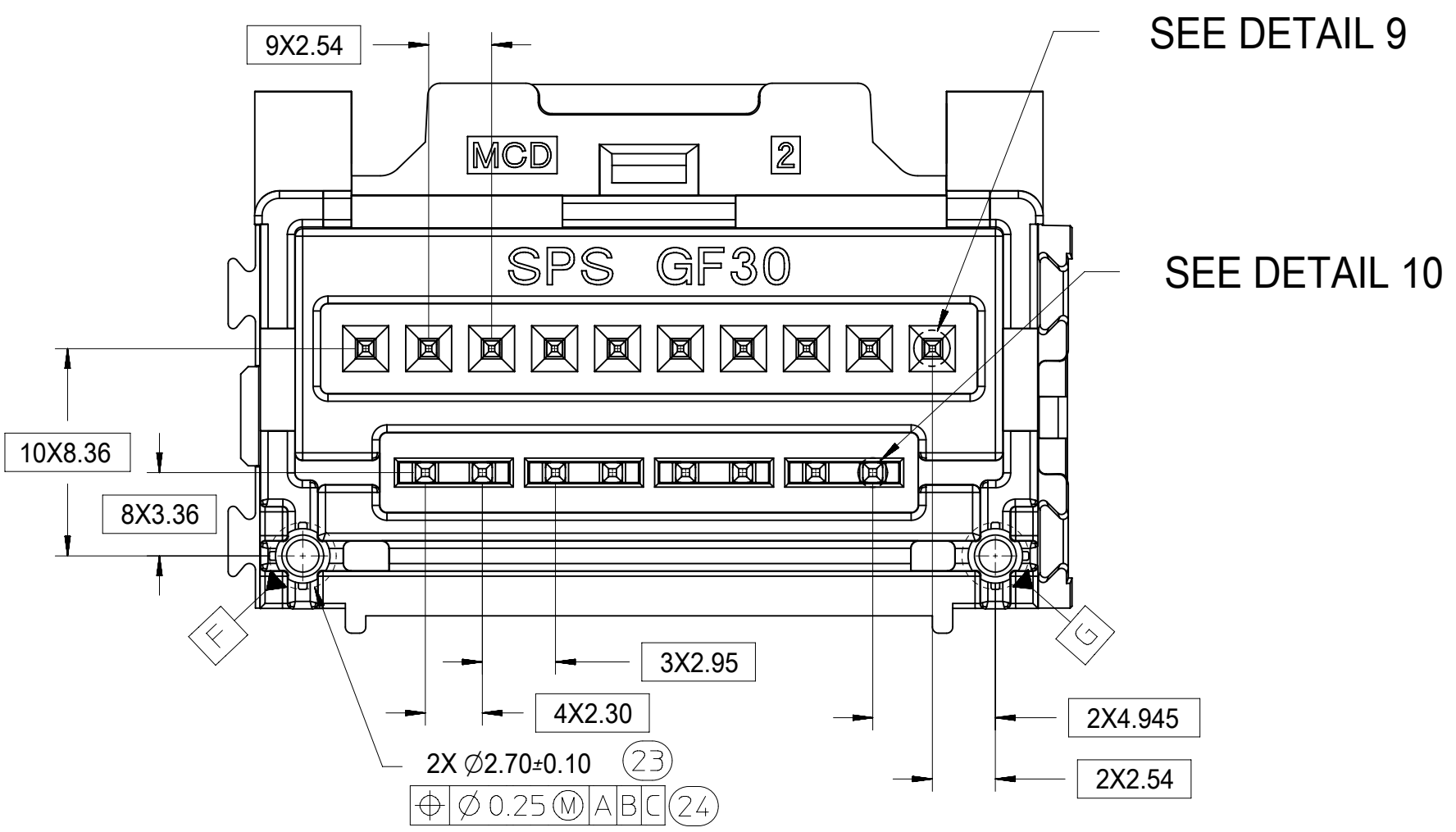
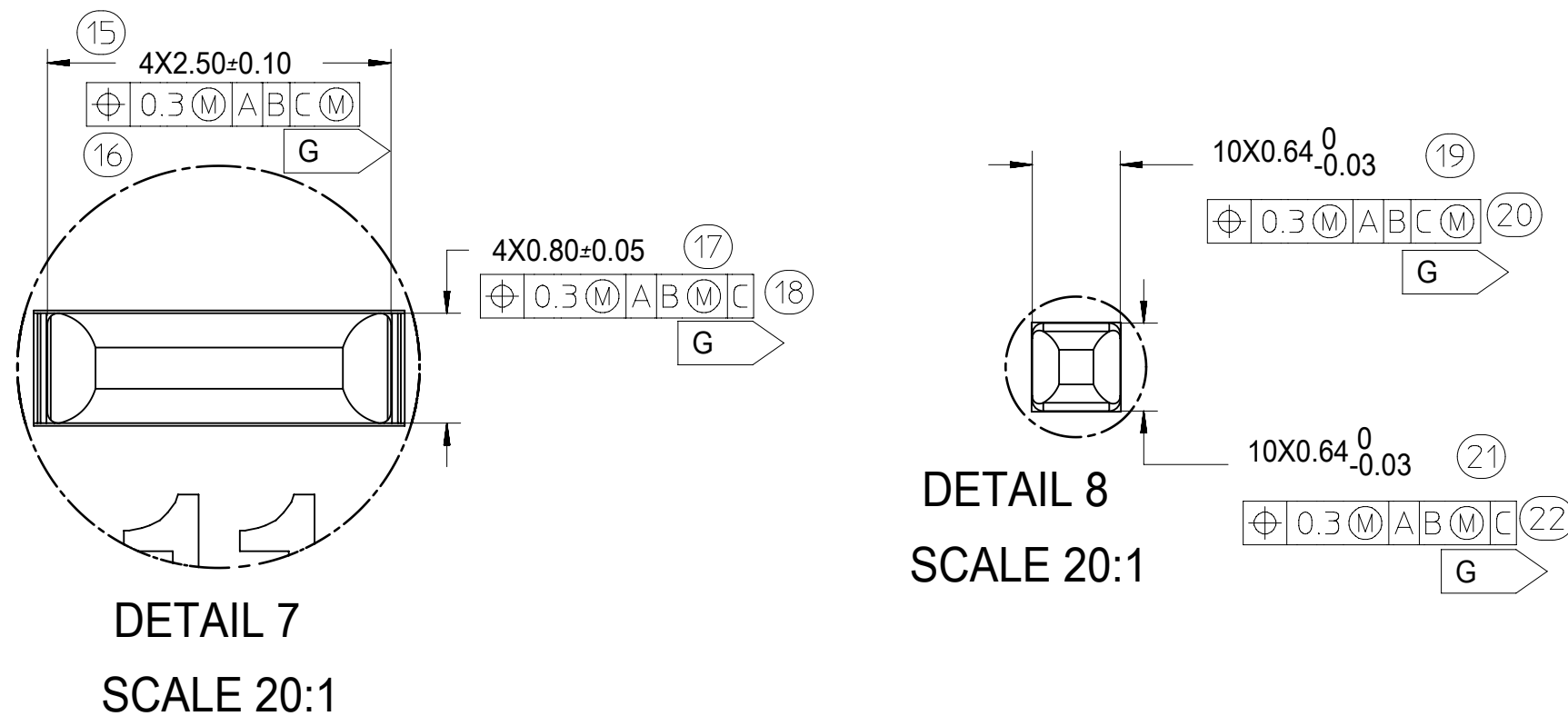
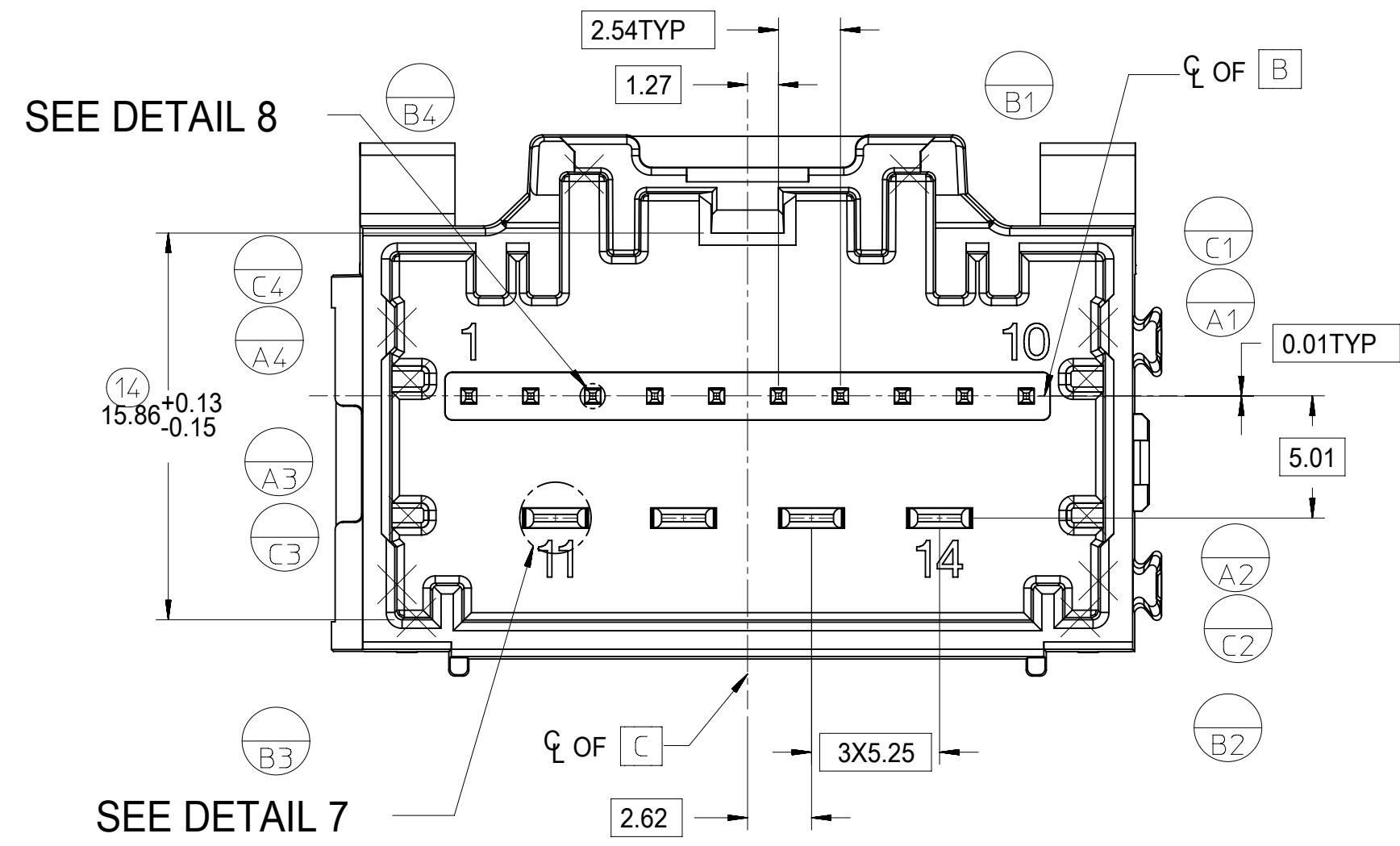
POST HOLE TABLE:

FOR DIM Z:	
PRESS FIT:	2.60
DROP IN:	3.05

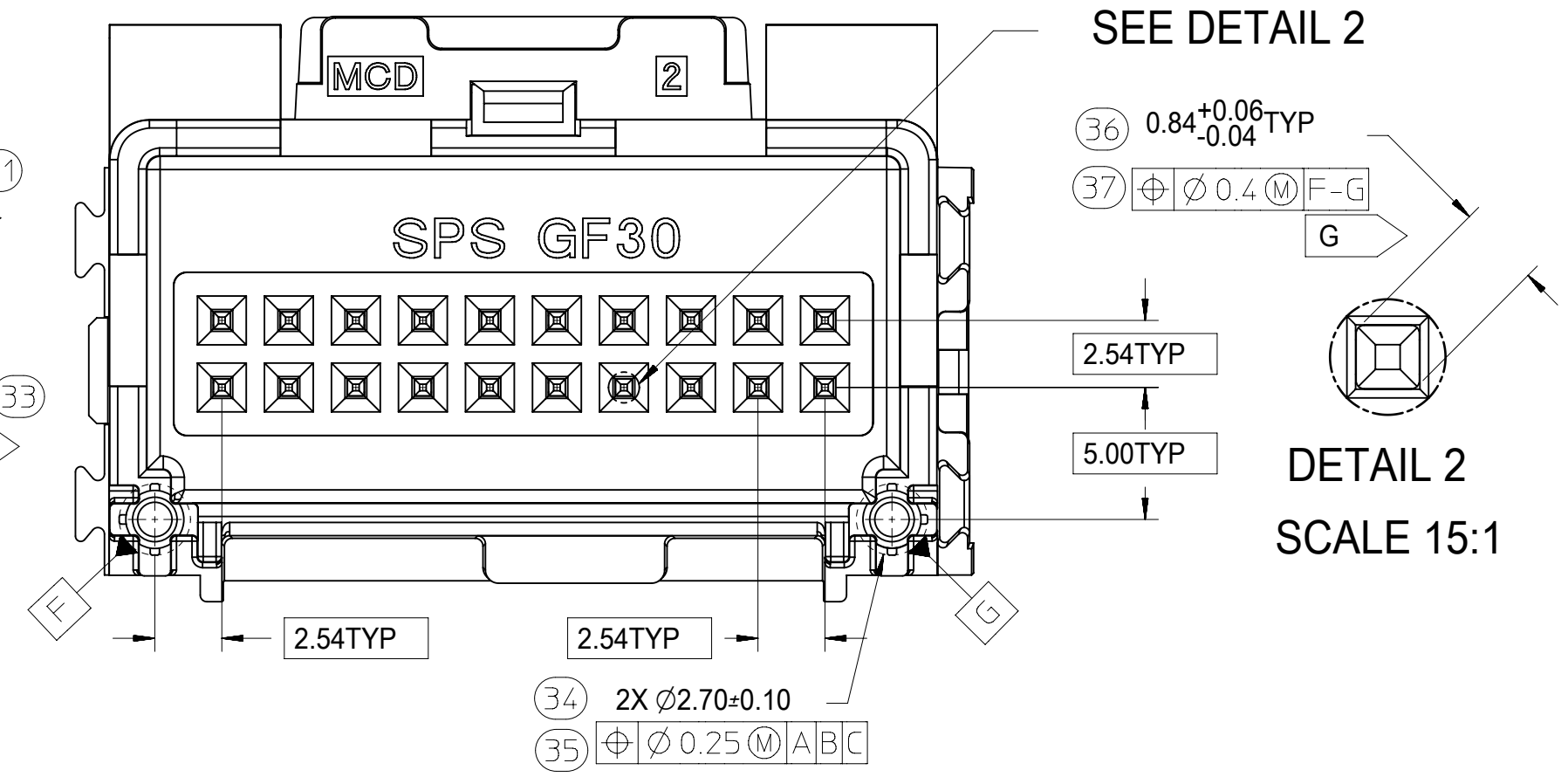
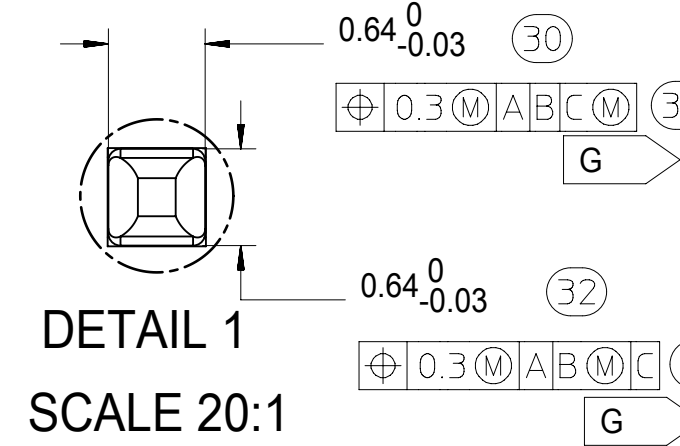
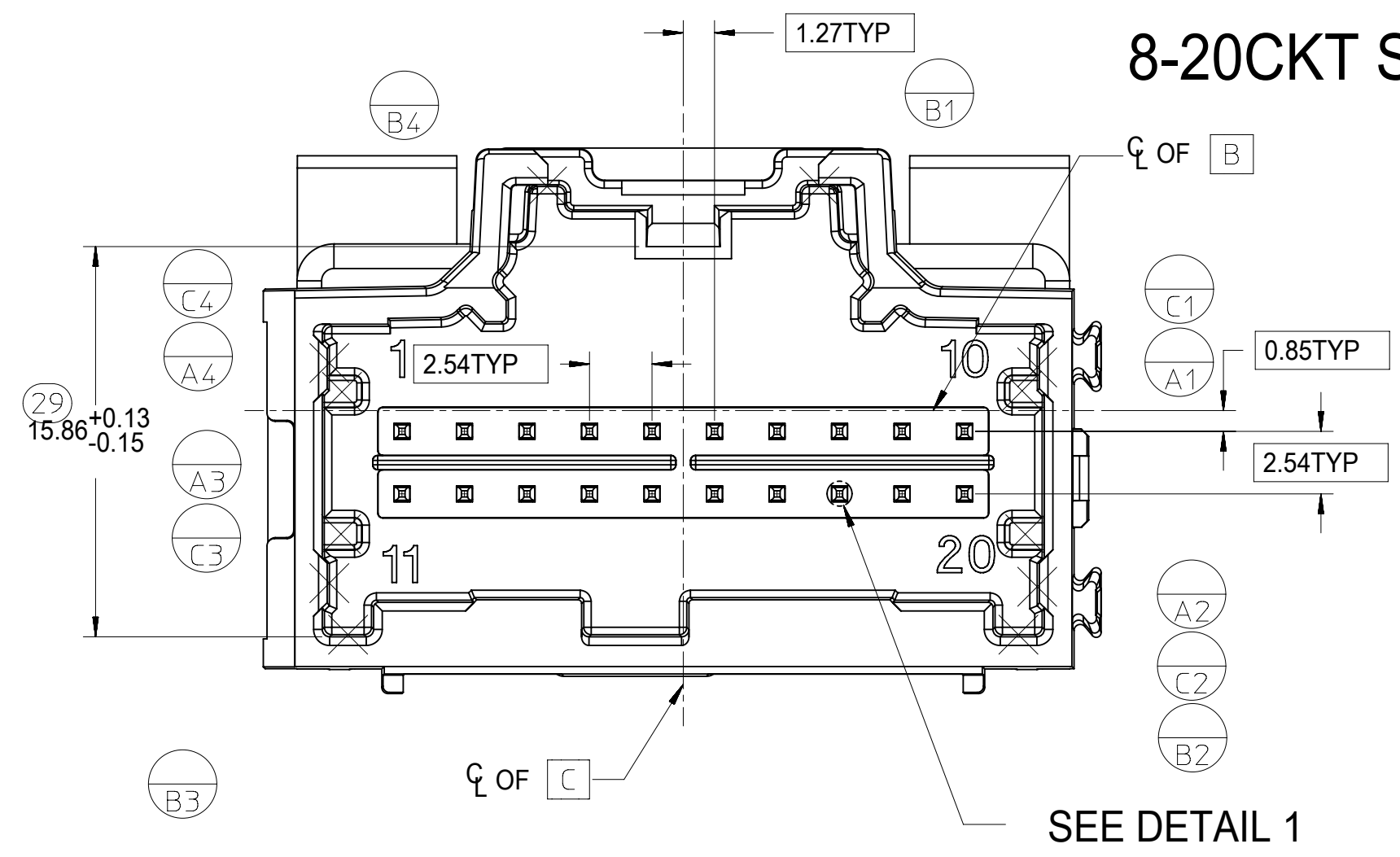
FOR DIM G:	
8-20CKT 0.64mm	18.40 MAX
10/14CKT Hybrid	18.59 MAX

QUALITY SYMBOLS 	THIS DRAWING CONTAINS INFORMATION THAT IS PROPRIETARY TO MOLEX ELECTRONIC TECHNOLOGIES, LLC AND SHOULD NOT BE USED WITHOUT WRITTEN PERMISSION				
	EC NO: 169700 DRWN: JFISCHER01 CHK'D: REV APPR: RBAUMAN	2017/12/18 2017/12/19	GENERAL TOLERANCES (UNLESS SPECIFIED) ANGULAR TOL $\pm 3.0^\circ$ 4 PLACES \pm 3 PLACES \pm 2 PLACES ± 0.13 1 PLACE ± 0.25 0 PLACES \pm DRAFT WHERE APPLICABLE MUST REMAIN WITHIN DIMENSIONS	DIMENSION UNITS: mm SCALE: 1:1 DRWN BY: MBAILEY DATE: 2008/08/14 CHK'D BY: CDILLON DATE: 2009/02/17 APPR BY: SMARCEAU DATE: 2008/08/14	
	2-BAY STAC64 VERTICAL HEADER ASSEMBLY SALES DRAWING			PRODUCT CUSTOMER DRAWING	
	DRAWING SIZE: D THIRD ANGLE PROJECTION	SERIES: 34707 MATERIAL NUMBER: SD-34707-200 DOCUMENT NUMBER: PSD CUSTOMER: GENERAL MARKET	DATE: 2008/08/14	SHEET NUMBER: 2 OF 4	

14CKT STAC HYBRID HEADER DETAILS

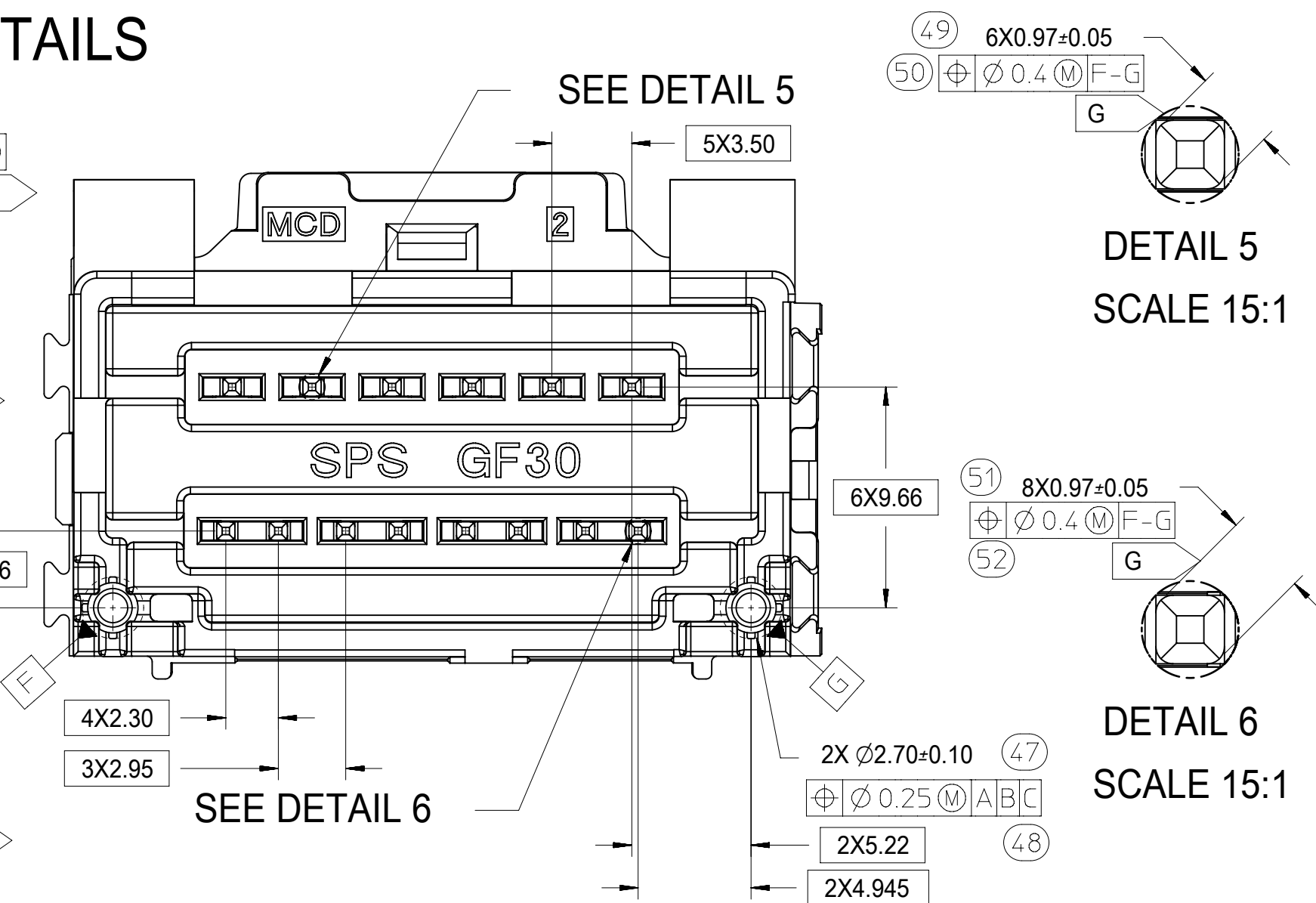
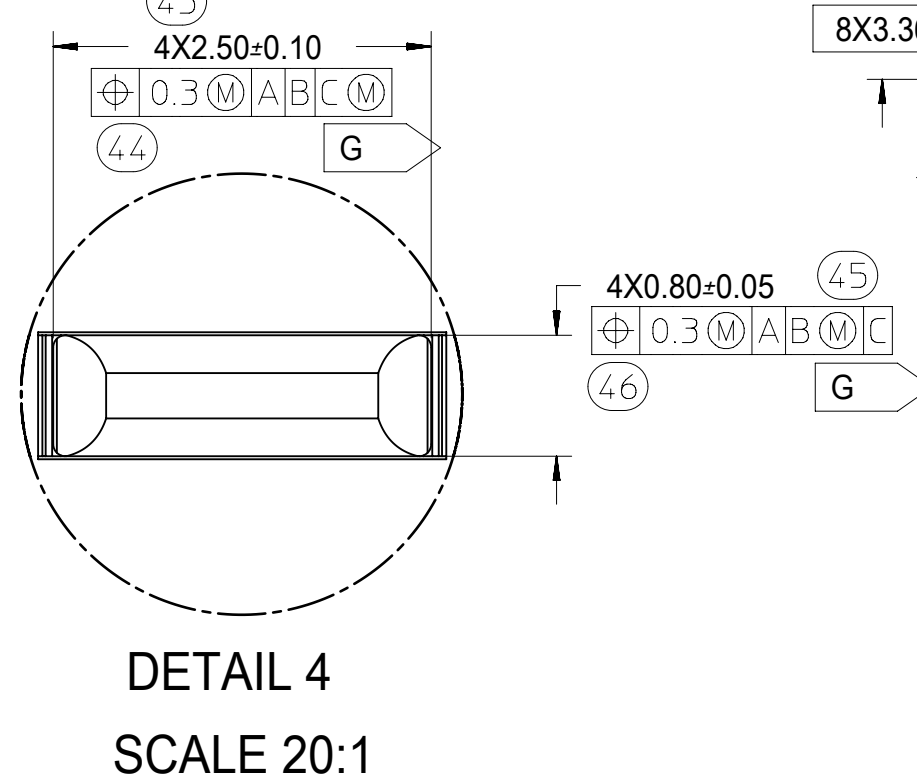
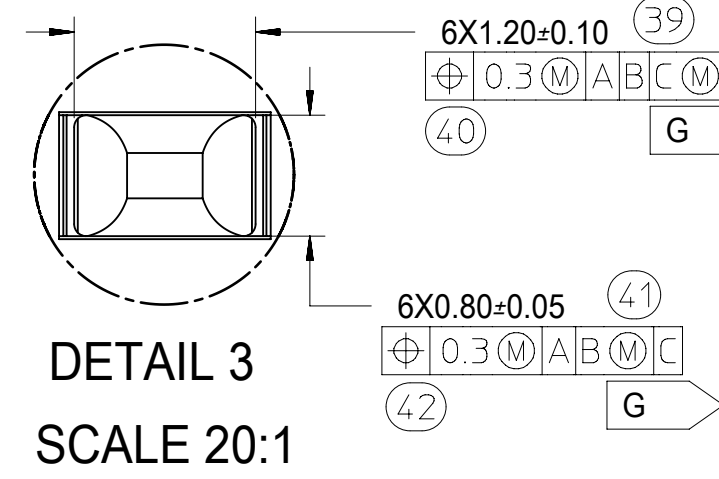
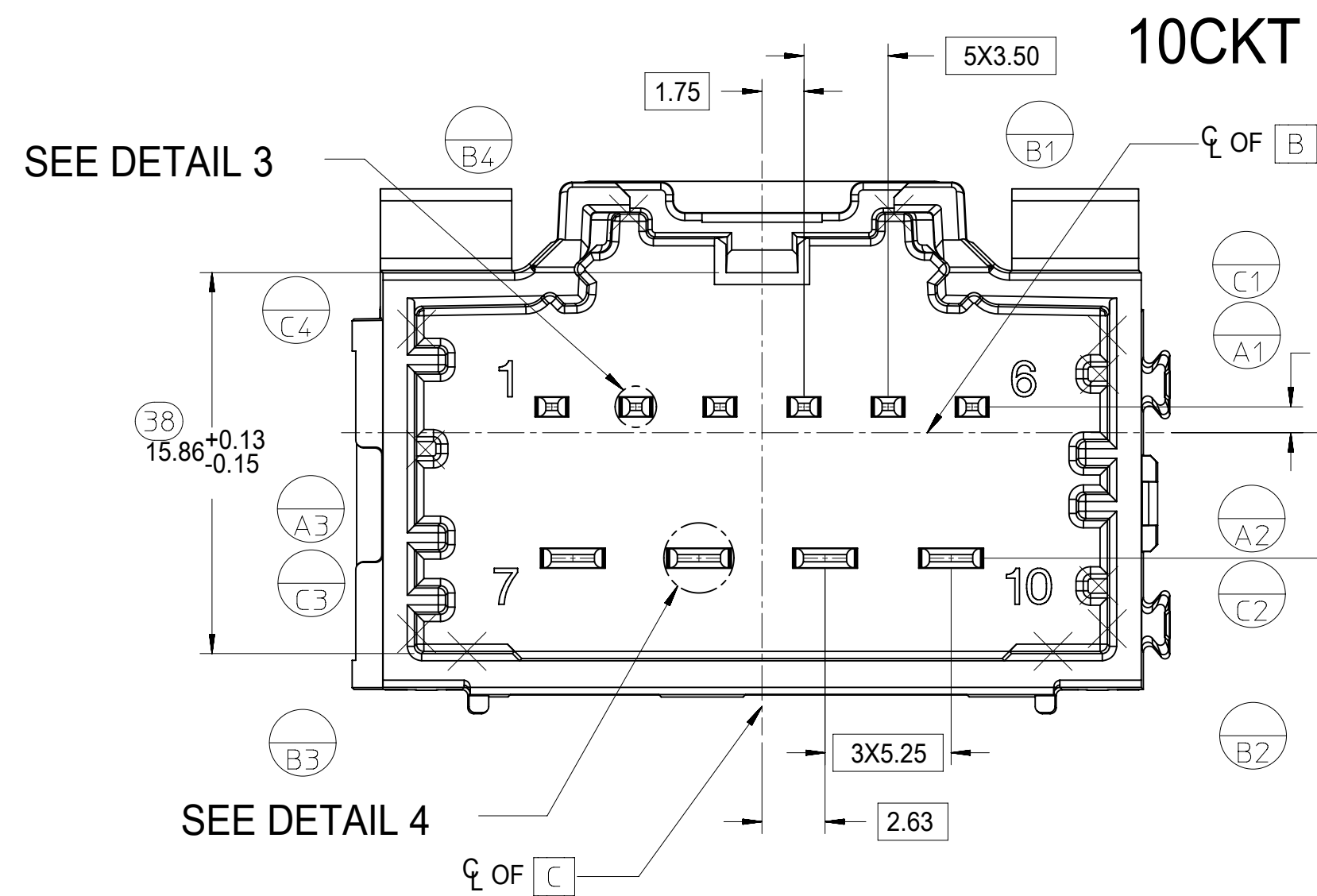


8-20CKT STAC 0.64mm HEADER DETAILS



DETAIL 2
SCALE 15:1

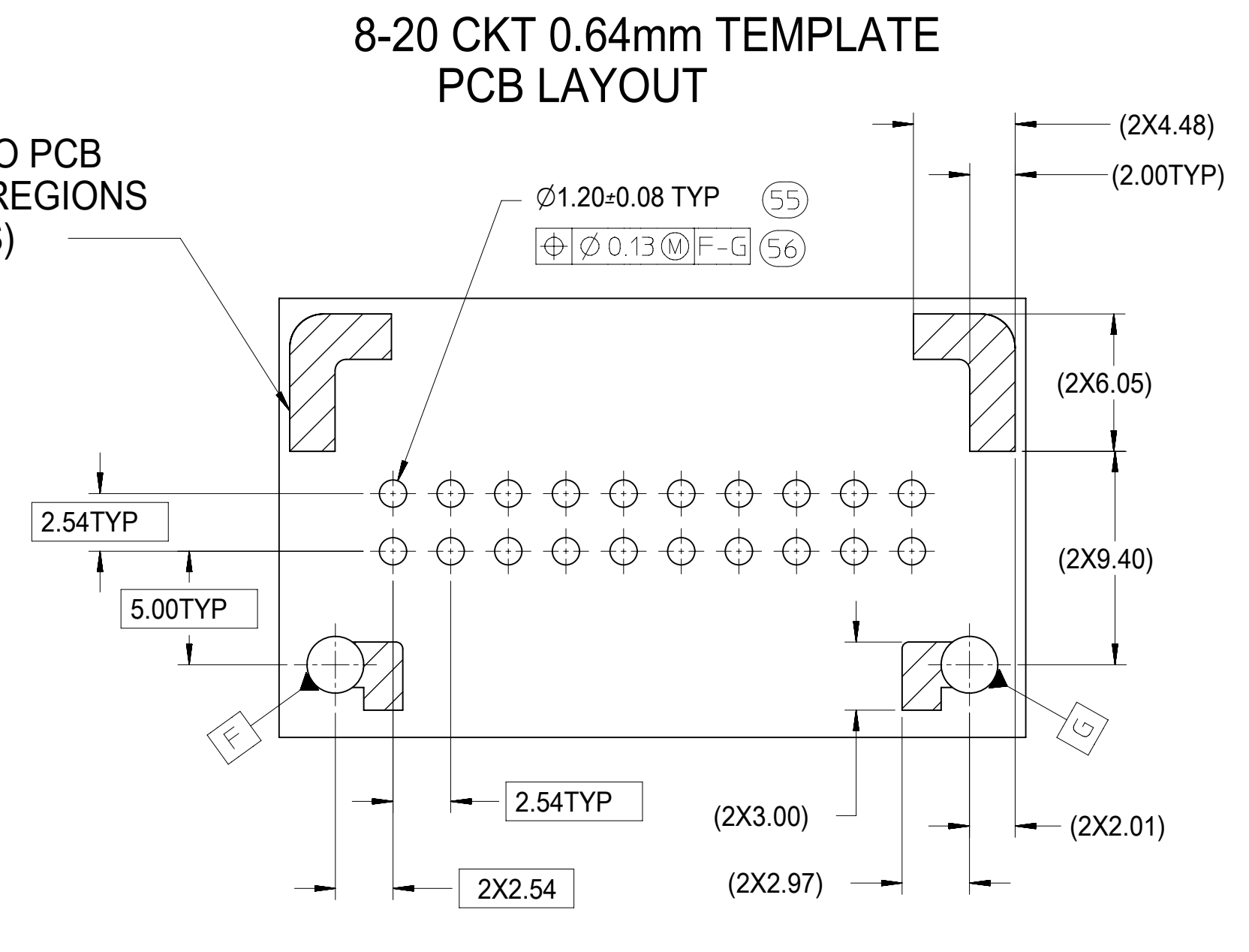
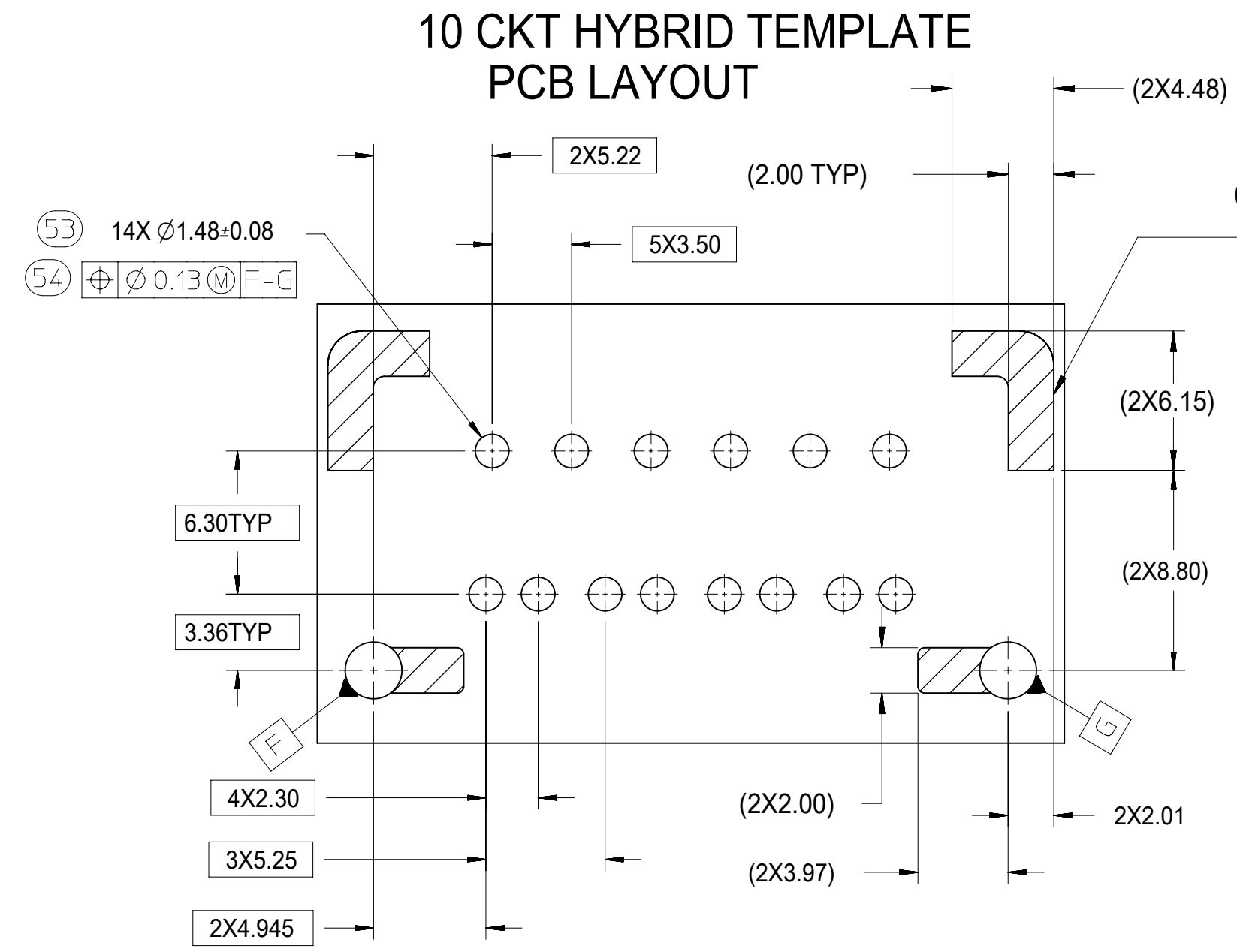
10CKT STAC HYBRID HEADER DETAILS



DETAIL 5
SCALE 15:1

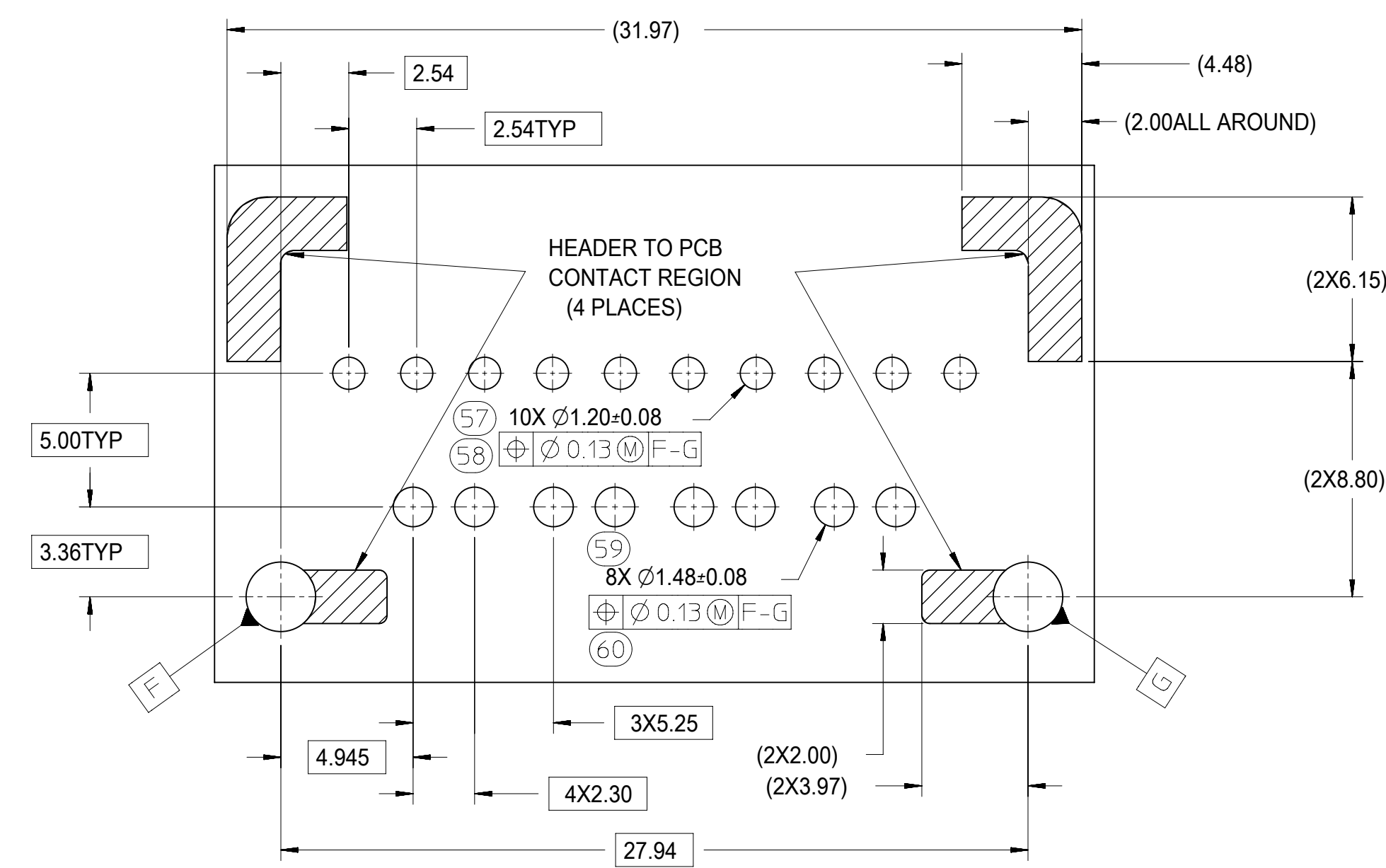
DETAIL 6
SCALE 15:1

QUALITY SYMBOLS		THIS DRAWING CONTAINS INFORMATION THAT IS PROPRIETARY TO MOLEX ELECTRONIC TECHNOLOGIES, LLC AND SHOULD NOT BE USED WITHOUT WRITTEN PERMISSION		GENERAL TOLERANCES (UNLESS SPECIFIED)		DIMENSION UNITS		SCALE			
▽ = 0	▽ = 0	▽ = 0	▽ = 0	▽ = 0	▽ = 0	mm	1:1	DRWN BY			
▽ = 0	▽ = 0	▽ = 0	▽ = 0	▽ = 0	▽ = 0	ANGULAR TOL ± 3.0 °		MBAILEY		2008/08/14	
▽ = 0	▽ = 0	▽ = 0	▽ = 0	▽ = 0	▽ = 0	4 PLACES ±		CHKD BY		DATE	
▽ = 0	▽ = 0	▽ = 0	▽ = 0	▽ = 0	▽ = 0	3 PLACES ±		CDILLON		2009/02/17	
▽ = 0	▽ = 0	▽ = 0	▽ = 0	▽ = 0	▽ = 0	2 PLACES ± 0.13		APPR BY		DATE	
▽ = 0	▽ = 0	▽ = 0	▽ = 0	▽ = 0	▽ = 0	1 PLACE ± 0.25		SMARCEAU		2008/08/14	
▽ = 0	▽ = 0	▽ = 0	▽ = 0	▽ = 0	▽ = 0	0 PLACES ±		DRAWING SIZE		THIRD ANGLE PROJECTION	
▽ = 0	▽ = 0	▽ = 0	▽ = 0	▽ = 0	▽ = 0	DRAFT WHERE APPLICABLE MUST REMAIN WITHIN DIMENSIONS		D		PRODUCT CUSTOMER DRAWING SERIES: 34707 MATERIAL NUMBER: SD-34707-200 CUSTOMER: GENERAL MARKET	
EC NO: 169700	DRWN: JFISCHER01	CHKD: REBAUMAN	APPR: REBAUMAN	REV: K6	DATE: 2017/12/19	DOCUMENT NUMBER: SD-34707-200		DOC TYPE: PSD		DOC PART SHEET NUMBER: 001 3 OF 4	



HEADER TO PCB CONTACT REGIONS (8 PLACES)

14 CKT HYBRID TEMPLATE PCB LAYOUT



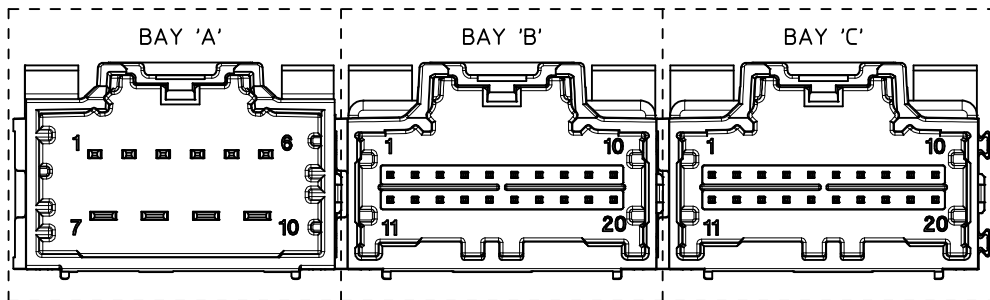
HEADER TO PCB CONTACT REGION (4 PLACES)

QUALITY SYMBOLS ▽ = 0 ▽ = 0 ▽ = 0 ▽ = 0 ▽ = 0 ▽ = 0 ▽ = 0 ▽ = 0 ▽ = 0	THIS DRAWING CONTAINS INFORMATION THAT IS PROPRIETARY TO MOLEX ELECTRONIC TECHNOLOGIES, LLC AND SHOULD NOT BE USED WITHOUT WRITTEN PERMISSION										
	2017/12/18	2017/12/19	GENERAL TOLERANCES (UNLESS SPECIFIED)		DIMENSION UNITS	SCALE					
	DRWN BY	DATE	ANGULAR TOL ± 3.0 °		mm	1:1					
	EC NO: 169700 DRWN: JFISCHER01 CHKD: REV APPR: RBAUMAN	4 PLACES ±	MBAILEY		2008/08/14	2-BAY STAC64 VERTICAL HEADER ASSEMBLY SALES DRAWING PRODUCT CUSTOMER DRAWING					
		3 PLACES ±	CHKD BY		DATE						
		2 PLACES ± 0.13	CDILLON		2009/02/17						
		1 PLACE ± 0.25	APPR BY		DATE						
		0 PLACES ±	SMARCEAU		2008/08/14						
	DRAFT WHERE APPLICABLE MUST REMAIN WITHIN DIMENSIONS		DRAWING SIZE	THIRD ANGLE PROJECTION			SERIES		MATERIAL NUMBER		CUSTOMER
			D				34707			GENERAL MARKET	
		DOCUMENT NUMBER		DOC TYPE	DOC PART	SHEET NUMBER					
		SD-34707-200		PSD	001	4 OF 4					

DIMENSIONAL CHART FOR MULTIBAY CONFIGURATION:

PART NUMBER (TUBE PKG)	PART NUMBER (TRAY PKG)	BAY A			BAY B			BAY C			DIM 'A'	DIM 'B'	DIM 'C'	DIM 'D'	DIM 'E'
		CKT	TYPE	POL	CKT	TYPE	POL	CKT	TYPE	POL					
TBD	34707-3010	20	0.64mm	A	8	0.64mm	A	16	0.64mm	A	79.52	77.05	22.86	12.70	27.94
TBD	34707-3020	16	0.64mm	B	8	0.64mm	B	20	0.64mm	B	79.52	77.05	27.94	12.70	22.86
TBD	34707-3021	10	HYBRID	A	20	0.64mm	C	20	0.64mm	D	99.84	97.37	27.94	27.94	27.94
TBD	34707-3030	12	0.64mm	A	20	0.64mm	C	20	0.64mm	D	89.68	87.21	27.94	27.94	17.78
TBD	34707-3040	20	0.64mm	A	20	0.64mm	B	20	0.64mm	C	99.84	97.37	27.94	27.94	27.94
TBD	34707-3050	16	0.64mm	A	16	0.64mm	B	16	0.64mm	C	84.60	82.13	22.86	22.86	22.86
TBD	34707-3060	20	0.64mm	B	16	0.64mm	C	10	HYBRID	A	94.76	92.29	27.94	22.86	27.94
TBD	34707-3070	10	HYBRID	A	10	HYBRID	B	10	HYBRID	C	99.84	97.37	27.94	27.94	27.94
TBD	34707-3090	20	0.64mm	A	20	0.64mm	C	8	0.64mm	B	84.60	82.13	27.94	27.94	12.70
TBD	34707-3100	14	HYBRID	A	20	0.64mm	A	20	0.64mm	B	99.84	97.37	27.94	27.94	27.94

3-BAY STAC64 VERTICAL HEADER ASSEMBLY
(P/N: 34707-3021 SHOWN)



NOTES: VALID UNLESS OTHERWISE SPECIFIED
1. GENERAL:

a. CONNECTOR HEADER MUST BE VALIDATED TO THE FOLLOWING FUNCTIONAL REQUIREMENTS:

PRODUCT SPECIFICATION:
8-20 CKT 0.64mm PRODUCT SPEC: PS-34729-020/PS-31408-100
10/14 CKT HYBRID PRODUCT SPEC: PS-31372-100

b. APPLICATION REQUIREMENTS (REFERENCE ONLY):

APPLICATION SPECIFICATION: AS-34729-020/AS-31408-100

c. PACKAGING SPECIFICATION PER MOLEX DRAWING PK-31300-892 (TRAY)
c. PACKAGING SPECIFICATION PER MOLEX DRAWING PK-31301-063 (TUBE)

2. DESIGN MATERIALS:

a. SHROUD (PLASTIC HOUSING):
RESIN - SPS 30%GF
COLOR:
POL A - BLACK
POL B - GRAY
POL C - BROWN
POL D - GREEN

b. 0.64mm PINS:
BASE MATERIAL: C26000
PLATING TYPE: AS NOTED

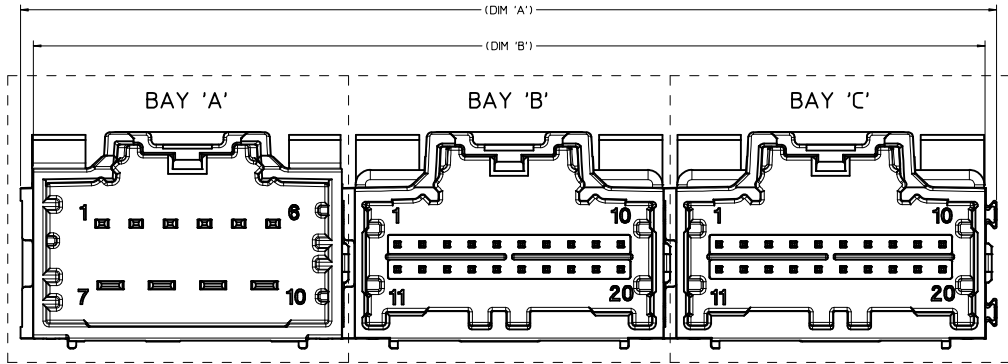
150/280mm BLADES:
BASE MATERIAL: C19400
PLATING TYPE: AS NOTED

3. PLATING REQUIREMENTS:

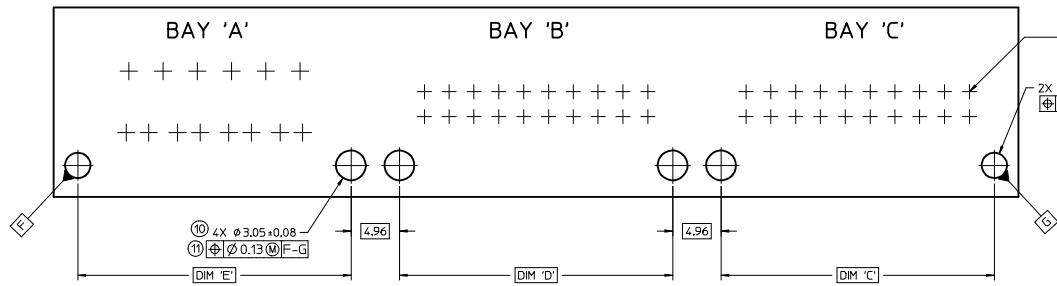
a. UNDERPLATING - OVERALL NICKEL
b. OVERPLATING - OVERALL TIN

4. FOR DESCRIPTION OF INDIVIDUAL BAYS, REFER TO THE FOLLOWING SINGLE BAY DRAWINGS:
8-20 CKT 0.64: SD-34690-100
10 CKT HYBRID: SD-34695-100
14 CKT HYBRID: SD-34772-200

ADDED POL COLOR DEC NO: 1/10/2016-1529 DRAWN: FISCHER01 2015/05/14 CHKD: APPROVAL: 2016/04/19 DESCRIPTION:	QUALITY SYMBOLS		GENERAL TOLERANCES (UNLESS SPECIFIED)		DIMENSION STYLE		SCALE	DESIGN UNITS	THIRD ANGLE PROJECTION
	▽=0 ▽=0		mm INCH 4 PLACES ± --- ± --- 3 PLACES ± --- ± --- 2 PLACES ± 0.13 ± --- 1 PLACE ± 0.25 ± --- ANGULAR ± 1°		MM ONLY DRAWN BY DATE YDANIELE 9/05/2008 CHECKED BY DATE CDILLON 9/05/2008 APPROVED BY DATE SMARCEAU 2010/10/20		4:1	METRIC	MOLEX INCORPORATED MOLEX INCORPORATED
	DRAFT WHERE APPLICABLE MUST REMAIN WITHIN DIMENSIONS		SEE CHART		MATERIAL NO. SD-34707-300		DOCUMENT NO. SD-34707-300		SHEET NO. 1 OF 4
	THIS DRAWING CONTAINS INFORMATION THAT IS PROPRIETARY TO MOLEX INCORPORATED AND SHOULD NOT BE USED WITHOUT WRITTEN PERMISSION								



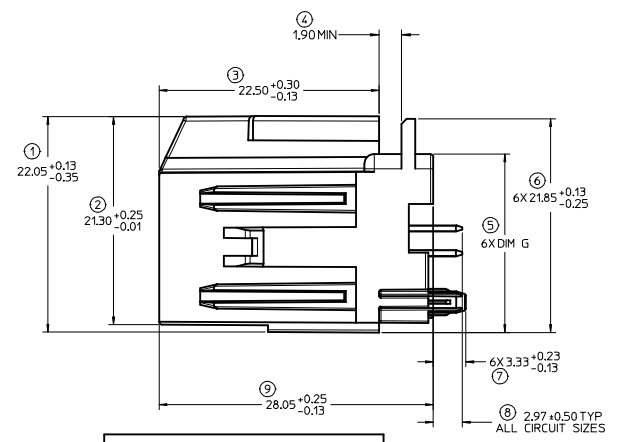
RECOMMENDED PCB LAYOUT
INSERT NECESSARY BAYS USING CHART ON SHEET 1



FOR PIN LOCATION, REFER TO TEMPLATES ON SHEET 4

2X Ø Z ± 0.05 (12)
Ø 0.13 (11) F

POST HOLE TABLE:
FOR DIM Z:
PRESS FIT: 2.60
DROP IN: 3.05

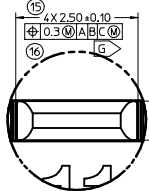
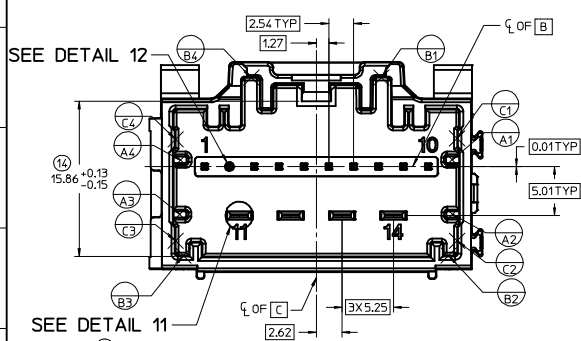


FOR DIM G:

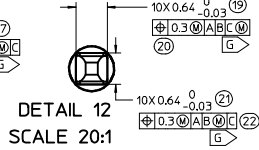
8-20CKT 0.64mm	18.40 MAX
10/14CKT Hybrid	18.59 MAX

OK TO TOOL EEC NO: UAU2016-1529 DRAWN: FISCHER01 2015/05/14 CHKD: APPR:RBBAUMAN 2016/04/19 REV: K1	QUALITY SYMBOLS ▽=0 ▽=0	GENERAL TOLERANCES (UNLESS SPECIFIED): <table border="1"> <tr> <th></th> <th>mm</th> <th>INCH</th> </tr> <tr> <td>4 PLACES</td> <td>± 0.15</td> <td>± 0.006</td> </tr> <tr> <td>3 PLACES</td> <td>± 0.25</td> <td>± 0.010</td> </tr> <tr> <td>2 PLACES</td> <td>± 0.38</td> <td>± 0.015</td> </tr> <tr> <td>1 PLACE</td> <td>± 0.51</td> <td>± 0.020</td> </tr> </table> ANGULAR ± 1°		mm	INCH	4 PLACES	± 0.15	± 0.006	3 PLACES	± 0.25	± 0.010	2 PLACES	± 0.38	± 0.015	1 PLACE	± 0.51	± 0.020	DIMENSION STYLE MM ONLY	SCALE 4:1	DESIGN UNITS METRIC	THIRD ANGLE PROJECTION
		mm	INCH																		
	4 PLACES	± 0.15	± 0.006																		
	3 PLACES	± 0.25	± 0.010																		
2 PLACES	± 0.38	± 0.015																			
1 PLACE	± 0.51	± 0.020																			
DRAWN BY: VDANIELE DATE: 9/05/2008 CHECKED BY: EDILLON DATE: 9/05/2008 APPROVED BY: SMARCEAU DATE: 2010/10/20	TITLE 3-BAY STAC64 VERTICAL HEADER ASSEMBLY SALES DRAWING	MATERIAL NO. SEE CHART	DOCUMENT NO. SD-34707-300	SHEET NO. 2 OF 4																	
DRAFT WHERE APPLICABLE MUST REMAIN WITHIN DIMENSIONS																					
THIS DRAWING CONTAINS INFORMATION THAT IS PROPRIETARY TO MOLEX INCORPORATED AND SHOULD NOT BE USED WITHOUT WRITTEN PERMISSION																					

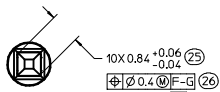
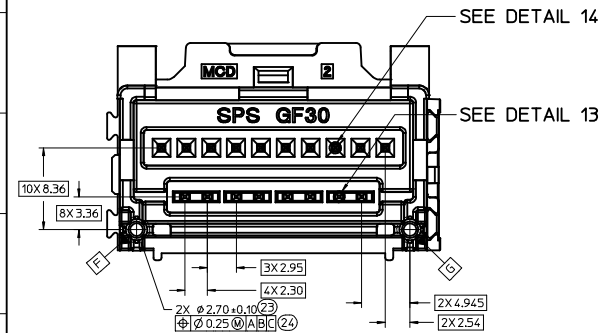
14CKT STAC HYBRID HEADER DETAILS



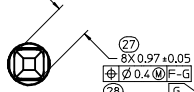
DETAIL 11
SCALE 20:1



DETAIL 12
SCALE 20:1

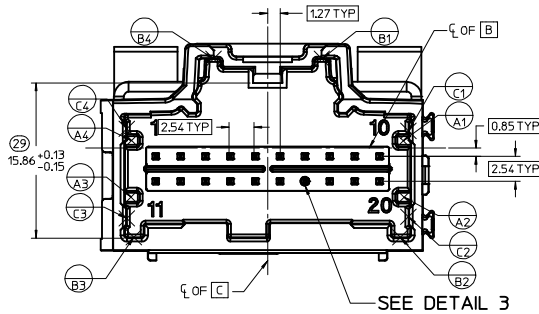


DETAIL 14
SCALE 15:1

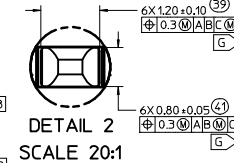


DETAIL 13
SCALE 15:1

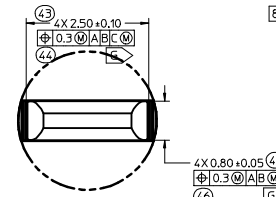
8-20CKT STAC 0.64mm HEADER DETAILS



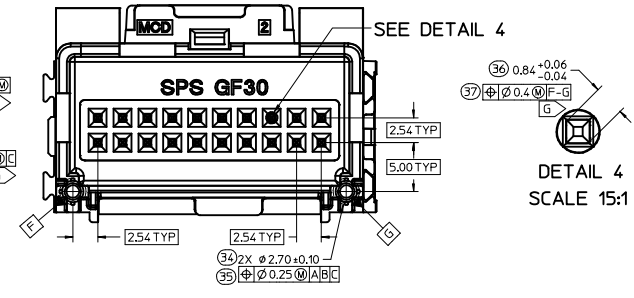
DETAIL 3
SCALE 15:1



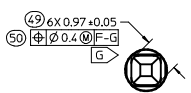
DETAIL 2
SCALE 20:1



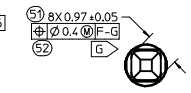
DETAIL 1
SCALE 20:1



DETAIL 4
SCALE 15:1

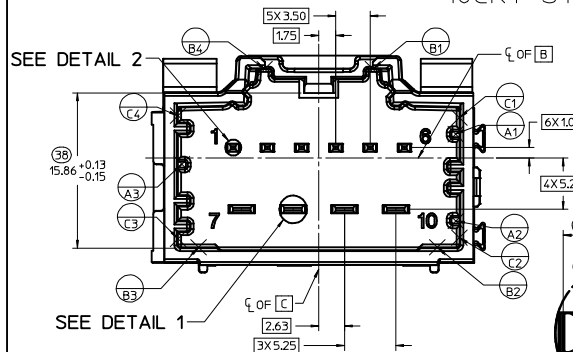


DETAIL 7
SCALE 15:1

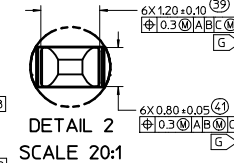


DETAIL 8
SCALE 15:1

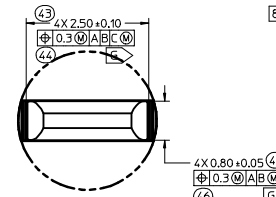
10CKT STAC HYBRID HEADER DETAILS



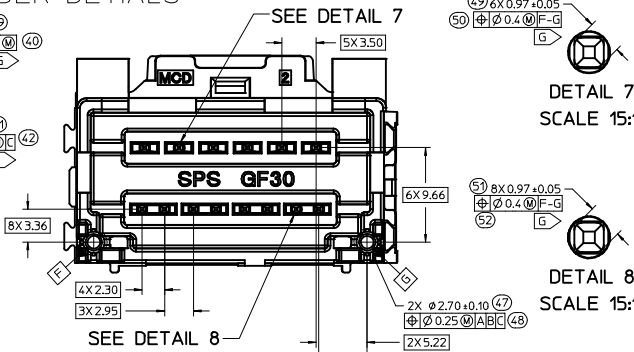
DETAIL 2
SCALE 20:1



DETAIL 2
SCALE 20:1



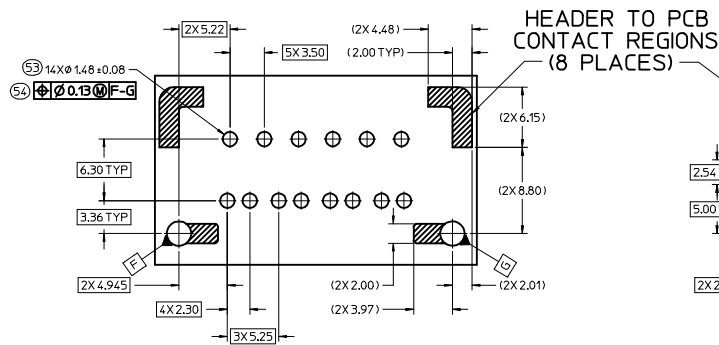
DETAIL 1
SCALE 20:1



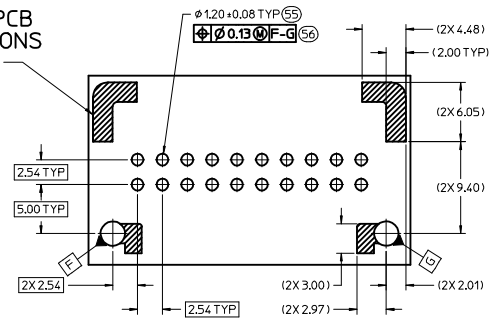
DETAIL 8
SCALE 15:1

ENTER DESCRIPTION IEC NO. UAU2016-1529 DRAWN/FISHER01 2015/05/14 CHKD: APPR:BRALMAN 2016/04/19 REV:	QUALITY SYMBOLS	GENERAL TOLERANCES (UNLESS SPECIFIED)	DIMENSION STYLE	SCALE	DESIGN UNITS	THIRD ANGLE PROJECTION	
	▽=0	mm INCH	MM ONLY	4:1	METRIC	☉	
	▽=0	4 PLACES ± --- ± ---	DRAWN BY	DATE	TITLE		
	▽=0	3 PLACES ± --- ± ---	YDANIELE	9/05/2008	3-BAY STAC64 VERTICAL HEADER ASSEMBLY SALES DRAWING		
	▽=0	2 PLACES ± 0.13 ± ---	CHECKED BY	DATE			
		1 PLACE ± 0.25 ± ---	CDILLON	9/05/2008			
		0 PLACE ± --- ± ---	APPROVED BY	DATE			
			SMARCEAU	2010/10/20			
		ANGULAR ± 1 °	MATERIAL NO.	DOCUMENT NO.			
		DRAFT WHERE APPLICABLE MUST REMAIN WITHIN DIMENSIONS	999999999	SD-34707-300			
			SIZE			SHEET NO.	
			D			3 OF 4	
			THIS DRAWING CONTAINS INFORMATION THAT IS PROPRIETARY TO MOLEX INCORPORATED AND SHOULD NOT BE USED WITHOUT WRITTEN PERMISSION				

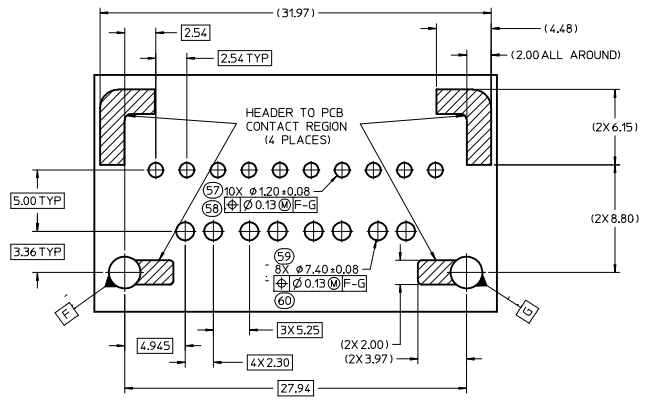
10 CKT HYBRID TEMPLATE
PCB LAYOUT



8-20 CKT 0.64mm TEMPLATE
PCB LAYOUT



14 CKT HYBRID TEMPLATE
PCB LAYOUT

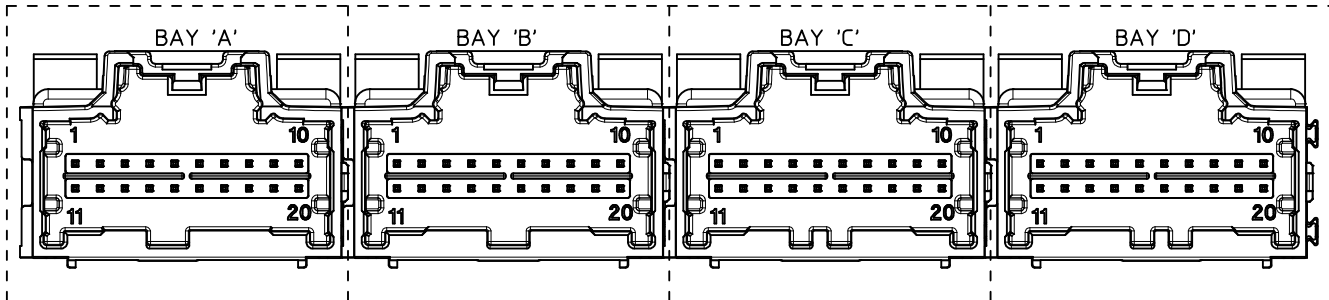


ENTER DESCRIPTION IEC NO. UAU2016-1529 DRAWN/FISCHER01 2015/05/14 CHKD: APPR:BRALMAN 2016/04/19 REV:	QUALITY SYMBOLS	GENERAL TOLERANCES (UNLESS SPECIFIED)	DIMENSION STYLE	SCALE	DESIGN UNITS	THIRD ANGLE PROJECTION
	▽=0	mm INCH	MM ONLY	4:1	METRIC	☉
	▽=0	4 PLACES ± --- ± ---	DRAWN BY	DATE	TITLE	
	▽=0	3 PLACES ± --- ± ---	VDANIELE	9/05/2008	3-BAY STAC64 VERTICAL HEADER ASSEMBLY SALES DRAWING	
		ANGULAR ± 1°	CHECKED BY	DATE	DOCUMENT NO.	
		DRAFT WHERE APPLICABLE MUST REMAIN WITHIN DIMENSIONS	CDILLON	9/05/2008	SD-34707-300	
			APPROVED BY	DATE	SHEET NO.	
			SMARCEAU	2010/10/20	4 OF 4	
			MATERIAL NO.	SEE CHART		
			THIS DRAWING CONTAINS INFORMATION THAT IS PROPRIETARY TO MOLEX INCORPORATED AND SHOULD NOT BE USED WITHOUT WRITTEN PERMISSION			

DIMENSIONAL CHART FOR MULTIBAY CONFIGURATION:

PART NUMBER (TUBE PKG)	PART NUMBER (TRAY PKG)	BAY A			BAY B			BAY C			BAY D			DIM 'A'	DIM 'B'	DIM 'C'	DIM 'D'	DIM 'E'	DIM 'F'
		CKT	TYPE	POL	CKT	TYPE	POL	CKT	TYPE	POL	CKT	TYPE	POL						
34707-9000	34707-4000	20	0.64mm	A	20	0.64mm	B	20	0.64mm	C	20	0.64mm	D	132.74	130.27	27.94	27.94	27.94	27.94
TBD	34707-4010	12	0.64mm	A	20	0.64mm	A	8	0.64mm	A	16	0.64mm	A	102.26	99.79	17.78	27.94	12.70	22.86
TBD	34707-4020	20	0.64mm	D	20	0.64mm	C	20	0.64mm	B	20	0.64mm	A	132.74	130.27	27.94	27.94	27.94	27.94

4 BAY STAC64 VERTICAL HEADER ASSEMBLY
(P/N: 34707-4000 SHOWN)



NOTES: VALID UNLESS OTHERWISE SPECIFIED

1. GENERAL:

a. CONNECTOR HEADER MUST BE VALIDATED TO THE FOLLOWING FUNCTIONAL REQUIREMENTS:

PRODUCT SPECIFICATION:
8-20 CKT 0.64mm PRODUCT SPEC: PS-34729-020/PS-31408-100
10/14 CKT HYBRID PRODUCT SPEC: PS-31372-100

b. APPLICATION REQUIREMENTS (REFERENCE ONLY):

APPLICATION SPECIFICATION: AS-34729-020/AS-31408-100

c. PACKAGING SPECIFICATION PER MOLEX DRAWING PK-31300-892 (TRAY)
d. PACKAGING SPECIFICATION PER MOLEX DRAWING PK-31301-063 (TUBE)

2. DESIGN: MATERIALS:

a. SHROUD (PLASTIC HOUSING):
RESIN - SPS 30%GF

b. 0.64mm PINS:
BASE MATERIAL: C26000
PLATING TYPE: AS NOTED

150/2.80mm BLADES:
BASE MATERIAL: C19400
PLATING TYPE: AS NOTED

3. PLATING REQUIREMENTS:

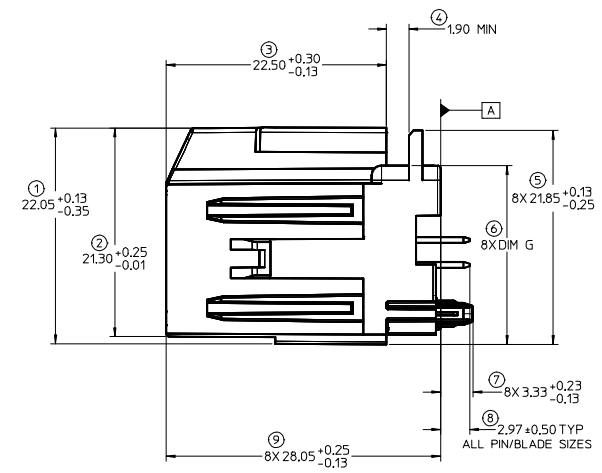
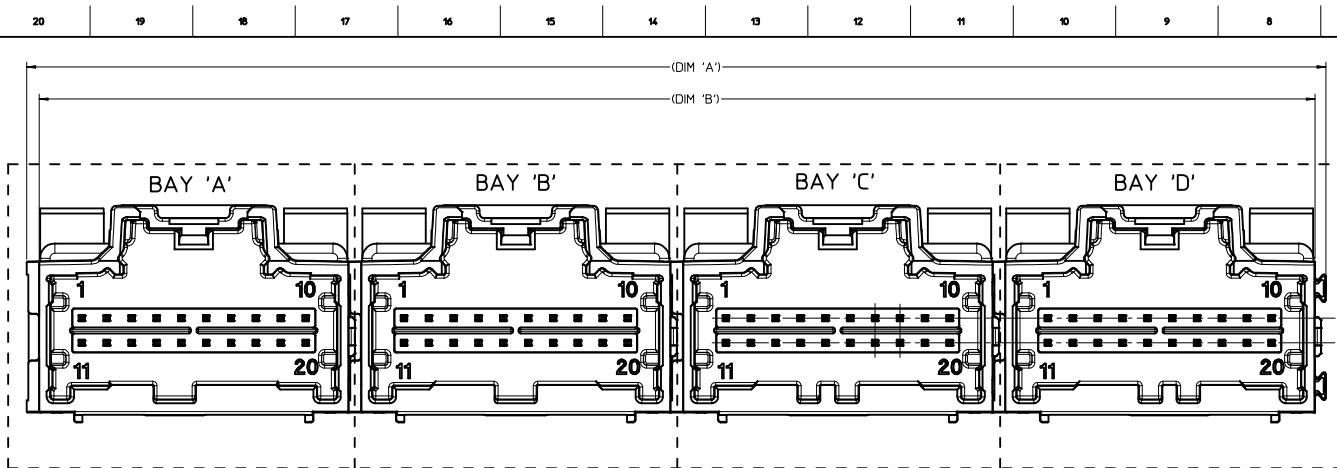
a. UNDERPLATING - OVERALL NICKEL

b. OVERPLATING - OVERALL TIN

4. FOR DESCRIPTION OF INDIVIDUAL BAYS, REFER TO THE FOLLOWING

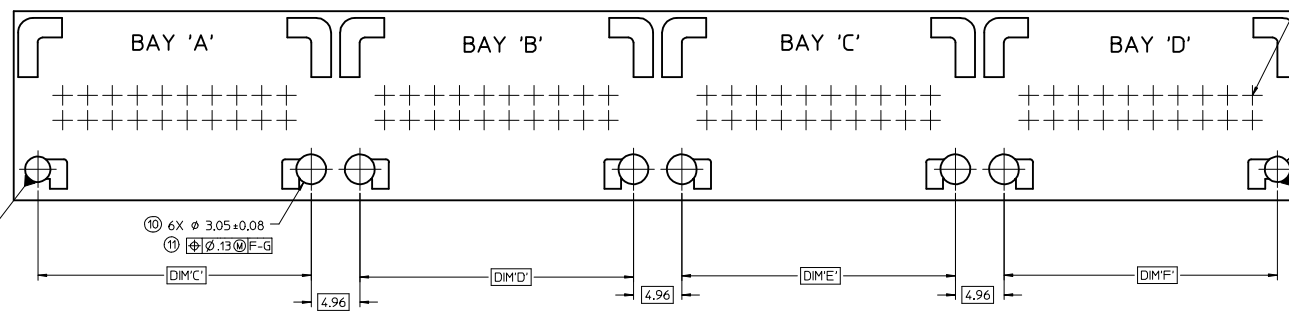
SINGLE BAY DRAWINGS:
8-20 CKT 0.64: SD-34690-100
10 CKT HYBRID: SD-34695-100
14 CKT HYBRID: SD-34772-200

RELEASED DEC NO: 04/2016-1529 DRAWN: FISHER01 2016/04/14 CHKD: APPROVER: BALMAN 2016/04/19 DESCRIPTION:	QUALITY SYMBOLS	GENERAL TOLERANCES (UNLESS SPECIFIED)	DIMENSION STYLE	SCALE	DESIGN UNITS	THIRD ANGLE PROJECTION
	▽=0 ▽=0	mm INCH 4 PLACES ± --- ± --- 3 PLACES ± --- ± --- 2 PLACES ± 0.13 ± --- 1 PLACE ± 0.25 ± --- ANGULAR ± 3°	MM ONLY DRAWN BY: YDANIELE 9/05/2008 CHECKED BY: CDILLON 9/05/2008 APPROVED BY: SMARCEAU 9/5/2008	4:1	METRIC	4-BAY STAC64 VERTICAL HEADER ASSEMBLY SALES DRAWING
	DRAFT WHERE APPLICABLE MUST REMAIN WITHIN DIMENSIONS	MATERIAL NO: SEE CHART	MOLEX INCORPORATED DOCUMENT NO: SD-34707-400	SHEET NO: 1 OF 4		THIS DRAWING CONTAINS INFORMATION THAT IS PROPRIETARY TO MOLEX INCORPORATED AND SHOULD NOT BE USED WITHOUT WRITTEN PERMISSION



FOR DIM G:		
8-20CKT	0.64mm	18.40 MAX
10/14CKT	Hybrid	18.59 MAX

RECOMMENDED PCB LAYOUT
INSERT NECESSARY BAY'S USING THE CHART ON SHEET 1



FOR HOLE LOCATION REFER TO TEMPLATES ON SHEET 4

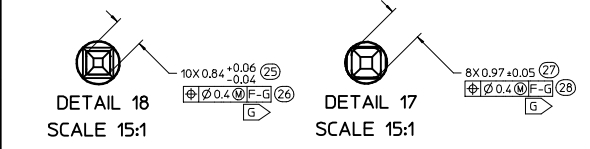
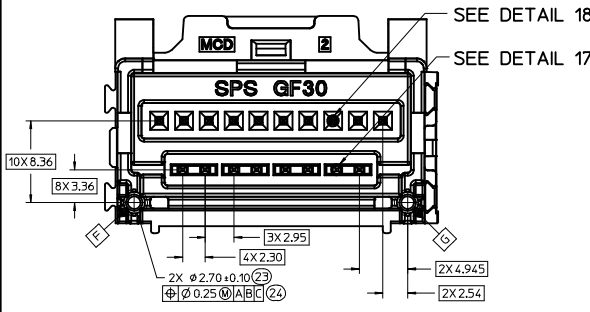
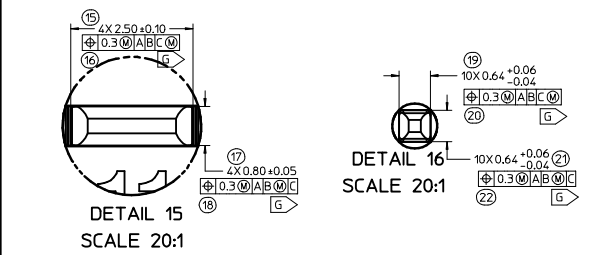
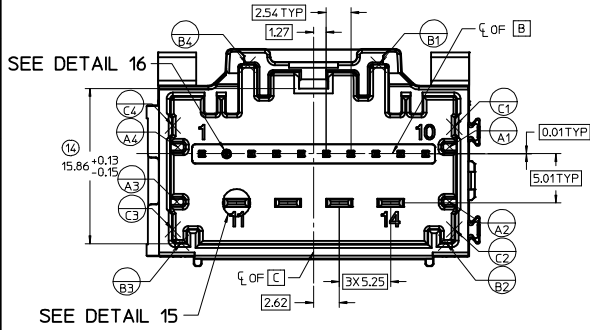
2X Ø Z+0.08 (Z)
 (F) Ø .13 (F) (B)

POST HOLE TABLE

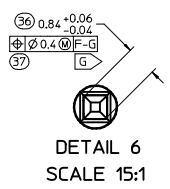
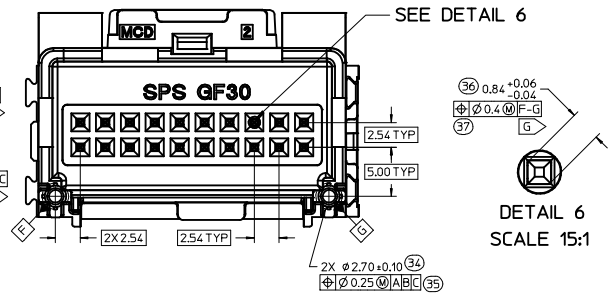
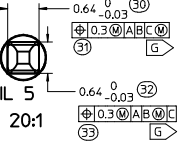
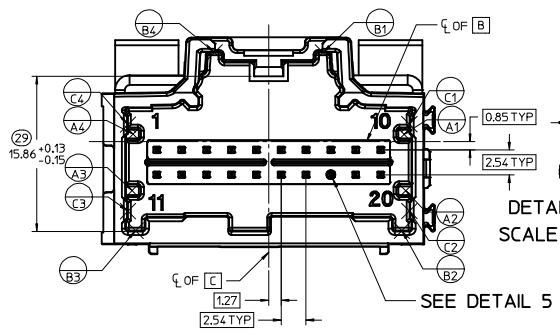
FOR DIM Z:	
PRESS FIT	2.60
DROP IN	3.05

RELEASED EC NO. UAU2016-1529 DRAWN/FISCHER01 2016/04/14 CHKD: APPR:BRALMAN 2016/04/19 REV:	QUALITY SYMBOLS	GENERAL TOLERANCES (UNLESS SPECIFIED)	DIMENSION STYLE	SCALE	DESIGN UNITS	THIRD ANGLE PROJECTION															
	▽=0 ▽=0	<table border="1"> <thead> <tr> <th></th> <th>mm</th> <th>INCH</th> </tr> </thead> <tbody> <tr> <td>4 PLACES</td> <td>±---</td> <td>±---</td> </tr> <tr> <td>3 PLACES</td> <td>±---</td> <td>±---</td> </tr> <tr> <td>2 PLACES</td> <td>±0.13</td> <td>±---</td> </tr> <tr> <td>1 PLACE</td> <td>±0.25</td> <td>±---</td> </tr> </tbody> </table>		mm	INCH	4 PLACES	±---	±---	3 PLACES	±---	±---	2 PLACES	±0.13	±---	1 PLACE	±0.25	±---	MM ONLY DRAWN BY: VDANIELE DATE: 9/05/2008 CHECKED BY: DATE CDILLON 9/05/2008 APPROVED BY: DATE SMARCEAU 9/5/2008	4:1	METRIC	
		mm	INCH																		
	4 PLACES	±---	±---																		
3 PLACES	±---	±---																			
2 PLACES	±0.13	±---																			
1 PLACE	±0.25	±---																			
DRAFT WHERE APPLICABLE MUST REMAIN WITHIN DIMENSIONS	SEE CHART MATERIAL NO.	TITLE 4-BAY STAC64 VERTICAL HEADER ASSEMBLY SALES DRAWING		MOLEX INCORPORATED	SHEET NO. 2 OF 4																
D8	SIZE D	THIS DRAWING CONTAINS INFORMATION THAT IS PROPRIETARY TO MOLEX INCORPORATED AND SHOULD NOT BE USED WITHOUT WRITTEN PERMISSION	DOCUMENT NO. SD-34707-400																		

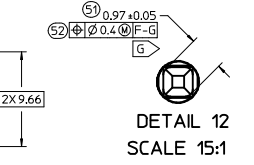
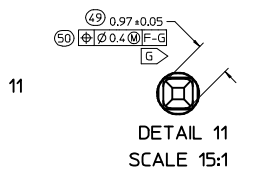
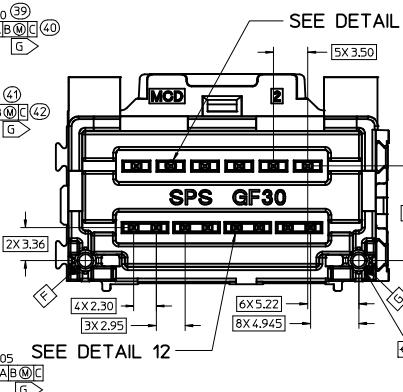
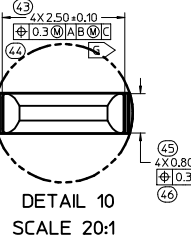
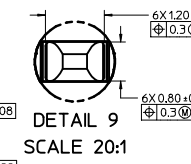
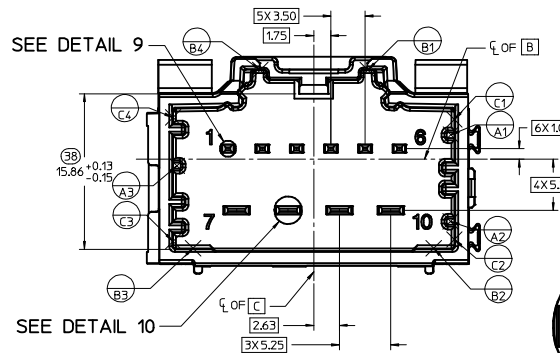
14CKT STAC HYBRID HEADER DETAILS



8-20CKT STAC 0.64mm HEADER DETAILS

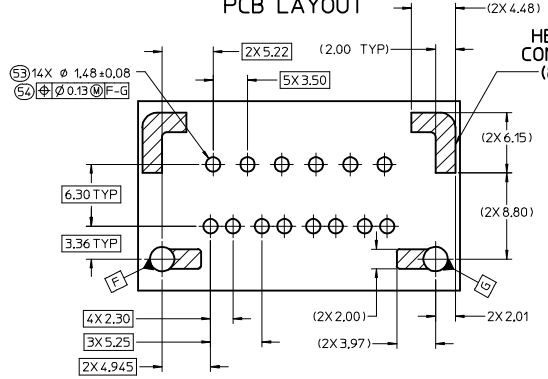


10CKT STAC HYBRID HEADER DETAILS

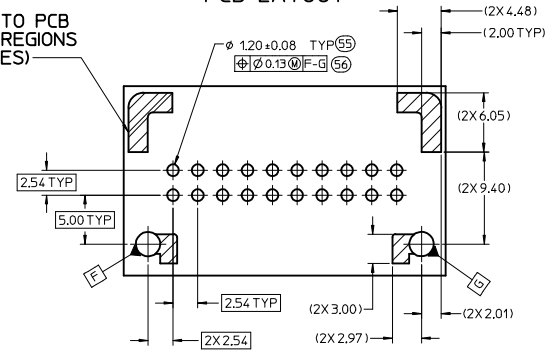


ENTER DESCRIPTION EEC NO. UAU2016-1529 DRAWN BY FISHER01 2016/04/14 CHKD: APPR:BRALMAN 2016/04/19	QUALITY SYMBOLS	GENERAL TOLERANCES (UNLESS SPECIFIED)	DIMENSION STYLE	SCALE	DESIGN UNITS	THIRD ANGLE PROJECTION
	▽=0	mm INCH	MM ONLY	4:1	METRIC	☉
	▽=0	4 PLACES ± --- ± ---	DRAWN BY	DATE	TITLE	
	▽=0	3 PLACES ± --- ± ---	VDANIELE	9/05/2008	4-BAY STAC64 VERTICAL HEADER ASSEMBLY SALES DRAWING	
	2 PLACES ± 0.13 ± ---	CHECKED BY	DATE			
	1 PLACE ± 0.25 ± ---	CDILLON	9/05/2008			
	0 PLACE ± --- ± ---	APPROVED BY	DATE			
		SMARCEAU	9/5/2008			
		ANGULAR ± 3°	MATERIAL NO.	DOCUMENT NO.		
		DRAFT WHERE APPLICABLE MUST REMAIN WITHIN DIMENSIONS	999999999	SD-34707-400		
			SIZE			
			D			
			THIS DRAWING CONTAINS INFORMATION THAT IS PROPRIETARY TO MOLEX INCORPORATED AND SHOULD NOT BE USED WITHOUT WRITTEN PERMISSION			

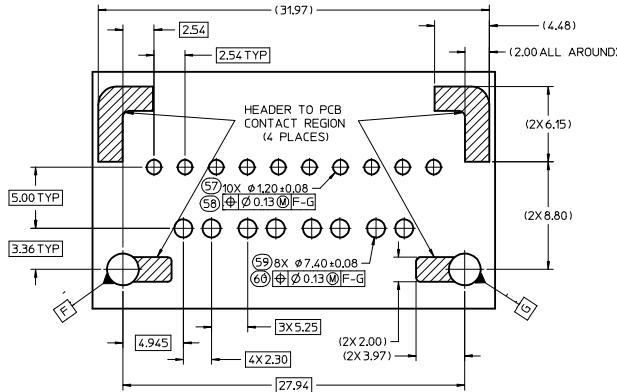
10 CKT HYBRID TEMPLATE
PCB LAYOUT



8-20 CKT 0.64mm TEMPLATE
PCB LAYOUT



14 CKT HYBRID TEMPLATE
PCB LAYOUT



ENTER DESCRIPTION EEC NO. UAU2016-1529 DRAWN/FISCHER01 2016/04/14 CHCK: APPR:RBALMAN 2016/04/19 REV: D8	QUALITY SYMBOLS	GENERAL TOLERANCES (UNLESS SPECIFIED)	DIMENSION STYLE	SCALE	DESIGN UNITS	THIRD ANGLE PROJECTION
	$\nabla=0$ $\nabla=0$ $\nabla=0$	mm INCH 4 PLACES ± --- ± --- 3 PLACES ± --- ± --- 2 PLACES ± 0.13 ± --- 1 PLACE ± 0.25 ± --- 0 PLACE ± --- ± ---	MM ONLY	4:1	METRIC	
	DRAWN BY: VDANIELE CHECKED BY: CDILLON APPROVED BY: SMARCEAU DATE: 9/05/2008 DATE: 9/05/2008 DATE: 9/5/2008	MATERIAL NO.: 9999999999 DOCUMENT NO.: SD-34707-400	TITLE: 4-BAY STAC64 VERTICAL HEADER ASSEMBLY SALES DRAWING 	SHEET NO. 4 OF 4		
	DRAFT WHERE APPLICABLE MUST REMAIN WITHIN DIMENSIONS THIS DRAWING CONTAINS INFORMATION THAT IS PROPRIETARY TO MOLEX INCORPORATED AND SHOULD NOT BE USED WITHOUT WRITTEN PERMISSION					