

PLUG

3	E2		
2	D		
1	E4		
SH.	REV.	LTR.	REVISIONS

DIMENSIONS SHOWN (METRIC) INCH		$\nabla = 0$	$\blacktriangledown = 0$	REVISE ONLY ON CAD SYSTEM																		
UNLESS OTHERWISE SPECIFIED TOLERANCES: ANGULAR $\pm .2^\circ$		TITLE .093/(2.36) HOUSING, PLUG AND RECEPTACLE, 2 CKT., .264/(6.70) CTRS.																				
<table border="1"> <tr> <th></th> <th>INCH</th> <th>METRIC</th> </tr> <tr> <td>3 PLACE</td> <td>$\pm .010$</td> <td>---</td> </tr> <tr> <td>2 PLACE</td> <td>$\pm .014$</td> <td>± 0.25</td> </tr> <tr> <td>1 PLACE</td> <td>---</td> <td>± 0.35</td> </tr> </table>			INCH	METRIC	3 PLACE	$\pm .010$	---	2 PLACE	$\pm .014$	± 0.25	1 PLACE	---	± 0.35	<table border="1"> <tr> <td>MOLEX INCORPORATED</td> <td>SHEET NO.</td> <td>DATE</td> </tr> <tr> <td>LITSLI, ILL.</td> <td>1 of 3</td> <td>11/21/88</td> </tr> </table>			MOLEX INCORPORATED	SHEET NO.	DATE	LITSLI, ILL.	1 of 3	11/21/88
	INCH	METRIC																				
3 PLACE	$\pm .010$	---																				
2 PLACE	$\pm .014$	± 0.25																				
1 PLACE	---	± 0.35																				
MOLEX INCORPORATED	SHEET NO.	DATE																				
LITSLI, ILL.	1 of 3	11/21/88																				
DRAFT WHERE APPLICABLE MUST REMAIN WITHIN DIMENSIONS		PART NO. SD-3191-2* DRWG. NO.																				
DRWG. BY: GEP	CHK'D. BY: RW	SEE CHART																				
APP'D. BY: RAS	SCALE: 2 : 1	FILE NAME: S31912X1 DGN	THIS DRAWING CONTAINS INFORMATION THAT IS PROPRIETARY TO MOLEX INC. AND SHOULD NOT BE USED WITHOUT WRITTEN PERMISSION.																			
		CP	C																			

13	12	11	10	9	8	7	6	3191	4	3	2	1
PLUG		RECEPTACLE										
PART NO.	ENG. NO.	PART NO.	ENG. NO.									
19-09-2028	3191-2P	19-09-1029	3191-2R1									
19-09-2029	3191-2P1	19-09-1026	3191-2R1-201									
19-09-2027	3191-2P-201	19-09-1020	3191-2R1RD									
19-09-2026	3191-2P1-201	19-09-1021	3191-2R1BU									
19-09-2020	3191-2P1RD											
19-09-2021	3191-2P1BU											

LEGEND:

3191-2****-*

CIRCUIT SIZE

P = PLUG

R = RECEPTACLE

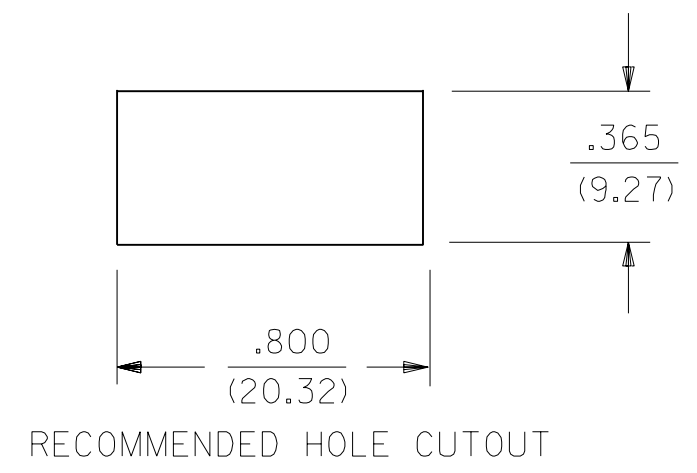
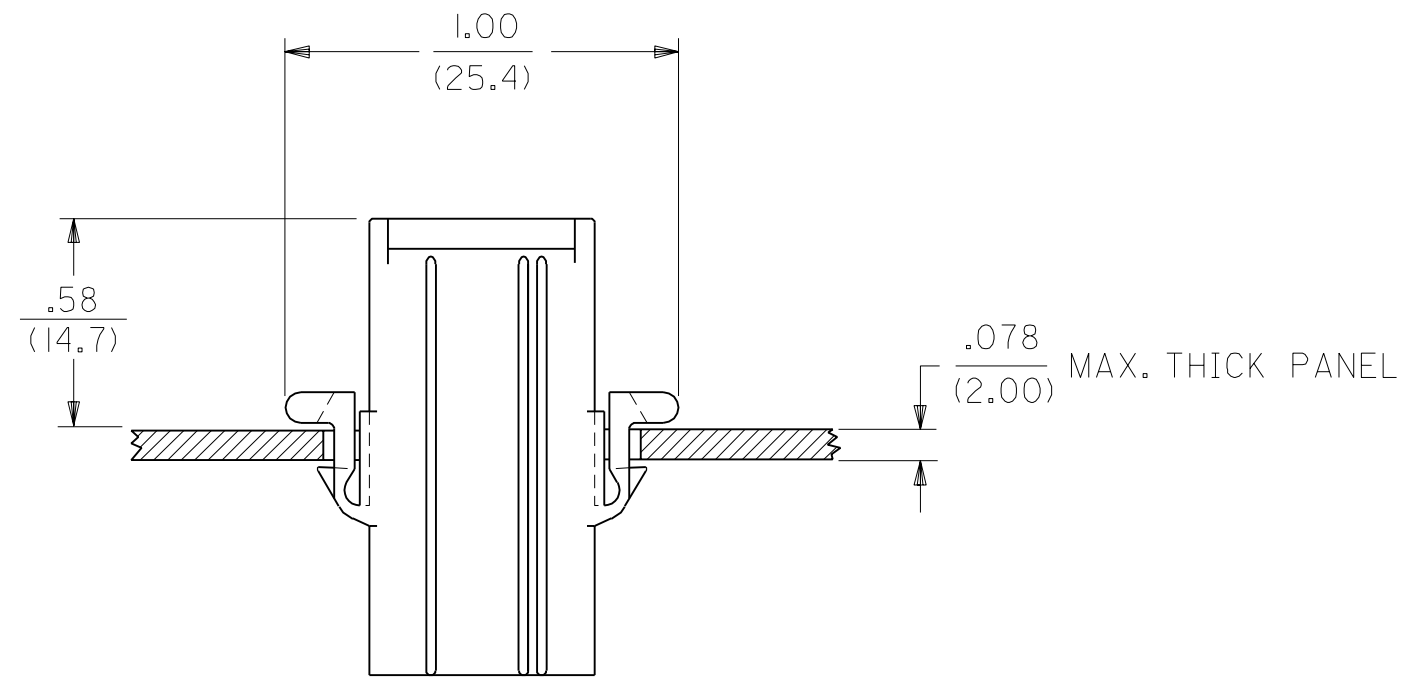
EARS: BLANK = WITH PREBENT EARS (PLUG ONLY)

I = WITHOUT EARS

COLOR: BLANK = NATURAL COLOR

AM=AMBER BK=BLACK BU=BLUE
 BN=BROWN GY=GRAY GN=GREEN
 OR=ORANGE RD=RED YW=YELLOW

MATERIAL: BLANK=NYLON TYPE 6/6, 94V-2
 201=NYLON TYPE 6/6, 94V-0



NOTES:

1. THESE HOUSINGS FOR USE WITH MOLEX .093/(2.36) DIAMETER SERIES TERMINALS.

DIMENSIONS SHOWN (METRIC) INCH		UNLESS OTHERWISE SPECIFIED TOLERANCES: ANGULAR ± 10°		REVISIONS		REVISIONS		DRAFT WHERE APPLICABLE MUST REMAIN WITHIN DIMENSIONS		DRWG. NO.		DATE	
3 PLACE	± .010	---		E2	SEE SHEET 1								
2 PLACE	± .014	± 0.25		E1	SEE SHEET 1								
1 PLACE	---	± 0.35		E	SEE SHEET 1								
				D	SEE SHEET 1								
DRWG. BY	GEP	CHK'D. BY	RW	LTR.	REVISIONS	LTR.	REVISIONS	APP'D. BY	RAS	SCALE	---	---	---

▽ = 0 ▼ = 0 REVISE ONLY ON CAD SYSTEM

TITLE: .093/(2.36) HOUSINGS PLUG AND RECEPTACLE 2 CKT., .264/(6.70) CTRS.

MOLEX INCORPORATED LISLE, ILL. 60532 U.S.A.

SHEET NO. 3 DATE 11/21/88

PART NO. SD-3191-2*

SEE CHART

THIS DRAWING CONTAINS INFORMATION THAT IS PROPRIETARY TO MOLEX INC. AND SHOULD NOT BE USED WITHOUT WRITTEN PERMISSION.

DIV. CP SIZE C