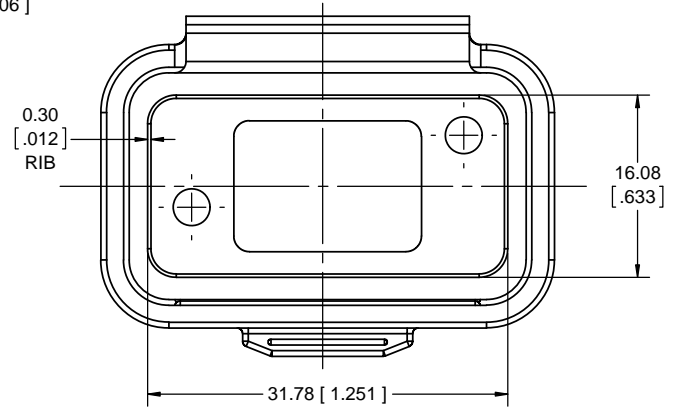
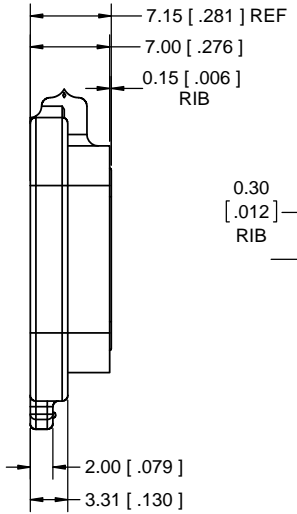
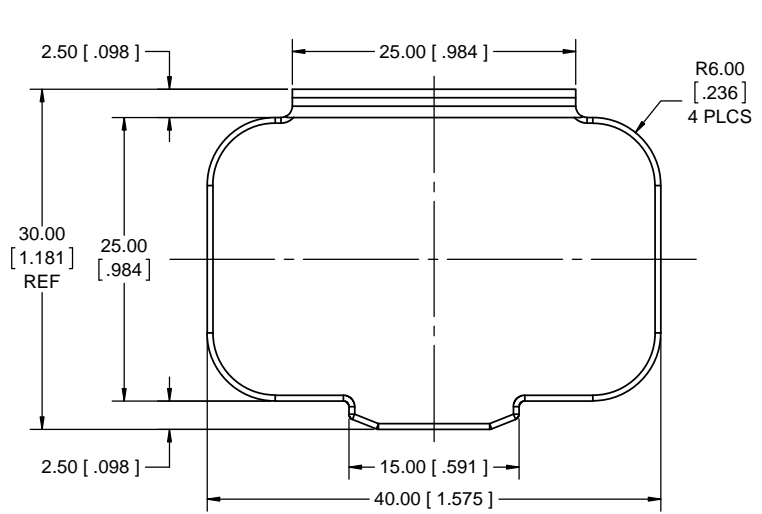
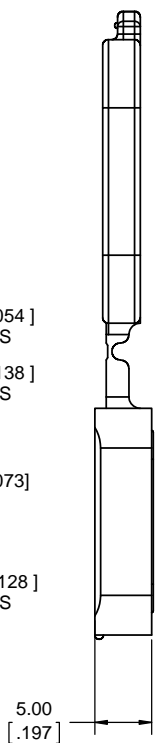
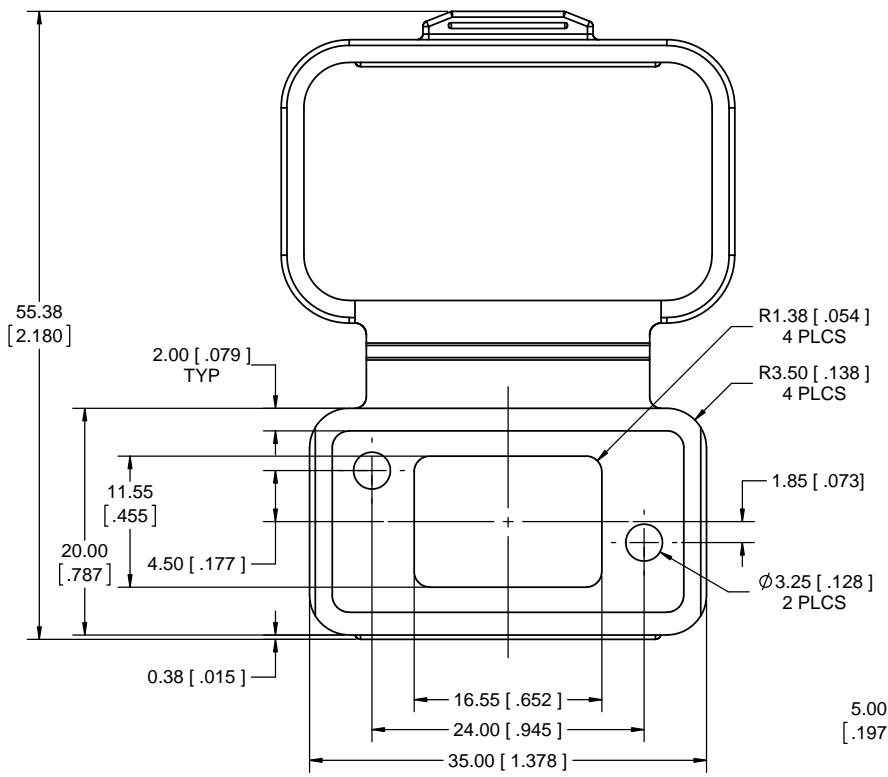


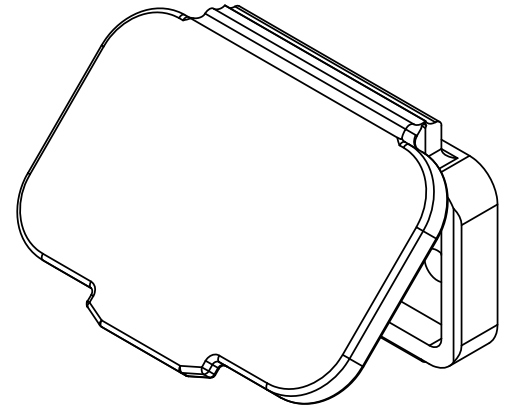
REVISIONS			
REV	DESCRIPTION, ECN, EAR NO.	DATE	APP'D
B	PROPOSAL DRAWING (EAR 14351)	MAR9/15	K.L.
C	PRODUCT DRAWING (EAR 14353)	MAR12/15	K.L.



FULLY CLOSED CONFIGURATION



FULLY OPEN CONFIGURATION



NOTES:

1. MATERIAL: POLYPROPYLENE, UL94HB RATING, COLOUR: BLACK, RoHS COMPLIANT PER EU DIRECTIVE 2011/65/EU AND AMENDMENTS.
2. DESIGNED TO SUIT AMPHENOL MUSBR SERIES CONNECTORS, TYPE A, LOW PROFILE, RIGHT ANGLE OR VERTICAL, #4-40 OR M3 THREAD.
3. DUST COVER PROVIDES IP40 LEVEL PROTECTION PER IEC 60529 FOR THE MATING AREA OF THE MUSBR CONNECTOR.
4. FOR THE COVER TO CLOSE, THE SCREW HEAD HEIGHT (INCLUDING ANY WASHERS) SHALL NOT EXCEED 3.00 [.118].
5. COVER IS SUITABLE FOR ANY PANEL THICKNESS. A 1.00 [.039] THICK PANEL IS SHOWN ON SHEET 2 APPLICATION VIEWS.
6. PARTS PROVIDED BULK PACKED.

UNLESS SPECIFIED OTHERWISE	DRAWN	J. FISHER	FEB6/15
PRIMARY UNITS MILLIMETERS	CHECKED		
SECONDARY INCHES	M.E. APP'D		
REFERENCE IN PARENTHESES	Q.A. APP'D		
GENERAL TOLERANCES	DWG APPR.	K. LAMBIE	FEB6/15
1 DECIMAL PLACE	ENG. REL. NO.	EAR 14334	
2 DECIMAL PLACES	REF.		
3 DECIMAL PLACES	THIRD ANGLE PROJECTION		
ANGULAR DEGREES	DO NOT SCALE DRAWING		

Amphenol Canada Corp.
www.amphenolcanada.com
MUSBR LATCHING DUST COVER WITH LIVING HINGE, FOR MUSBR TYPE A USB, LOW PROFILE CONNECTOR, RoHS COMPLIANT

DWG. NO. **P-MUSBR-2A51-042BP** REV **C**

CODE ID NO. 03554 DWG SIZE: X SCALE: 3:1 SHEET 1 OF 2

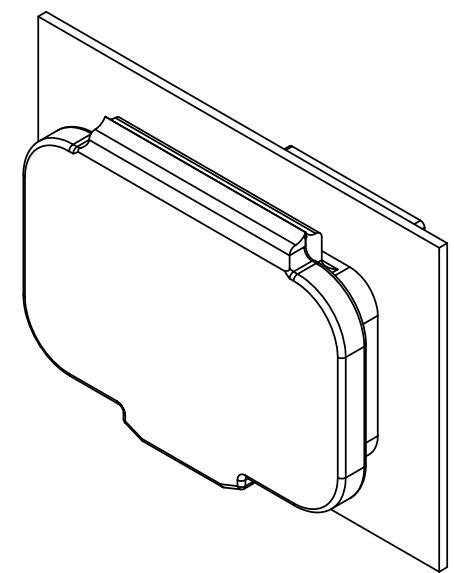
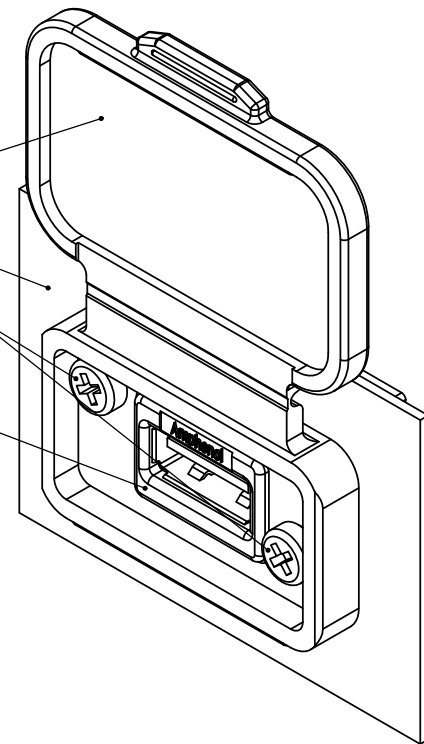
REVISIONS			
REV	DESCRIPTION, ECN, EAR NO.	DATE	APP'D
B	PROPOSAL DRAWING (EAR 14351)	MAR9/15	K.L.
C	PRODUCT DRAWING (EAR 14353)	MAR12/15	K.L.

INJECTION MOLDED
POLYPROPYLENE
DUST COVER

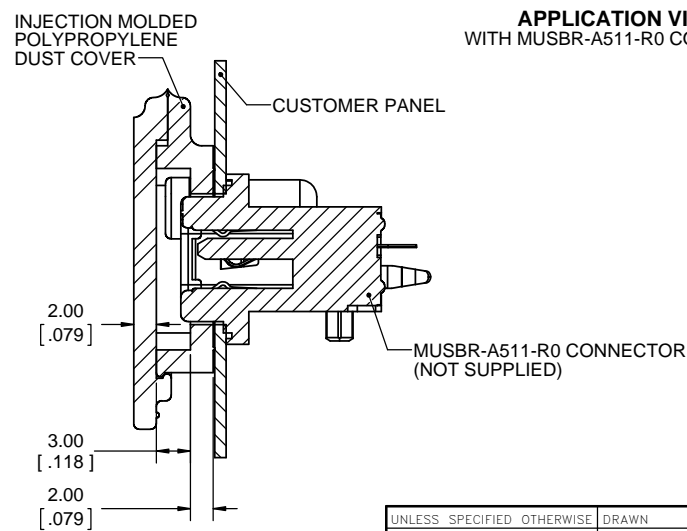
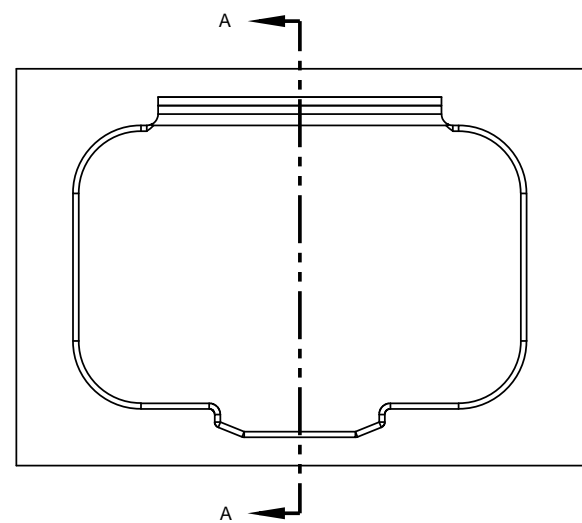
CUSTOMER PANEL

M3 X 0.5 THREAD MOUNTING
SCREWS (NOT SUPPLIED)

MUSBR-A511-R0 CONNECTOR
(NOT SUPPLIED)



**APPLICATION VIEWS
WITH MUSBR-A511-R0 CONNECTOR**



SECTION A-A



UNLESS SPECIFIED OTHERWISE	DRAWN	J. FISHER	FEB6/15
PRIMARY UNITS MILLIMETERS	CHECKED		
SECONDARY INCHES	M.E. APP'D		
REFERENCE IN PARENTHESES	Q.A. APP'D		
GENERAL TOLERANCES	DWG APPR.	K. LAMBIE	FEB6/15
1 DECIMAL PLACE	ENG. REL. NO.	EAR 14334	
2 DECIMAL PLACES	REF.		
3 DECIMAL PLACES	THIRD ANGLE PROJECTION		
ANGULAR DEGREES	DO NOT SCALE DRAWING		

Amphenol Canada Corp.
www.amphenolcanada.com

**MUSBR LATCHING DUST COVER
WITH LIVING HINGE, FOR MUSBR
TYPE A USB, LOW PROFILE
CONNECTOR, RoHS COMPLIANT**

DWG. NO. **P-MUSBR-2A51-042BP** REV **C**

CODE ID NO. 03554 DWG SIZE: X SCALE: 3:1 SHEET 2 OF 2