

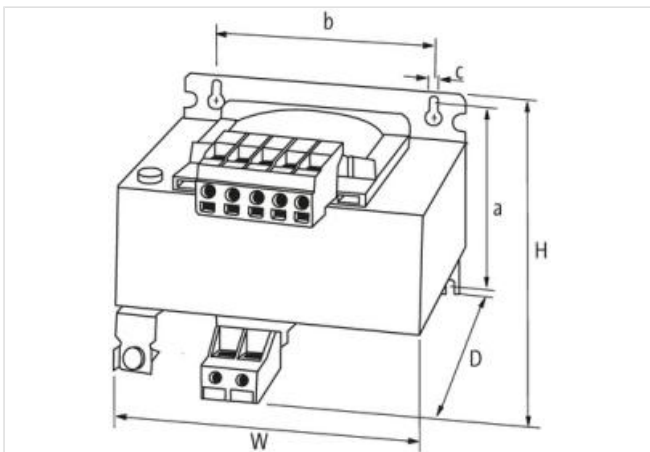
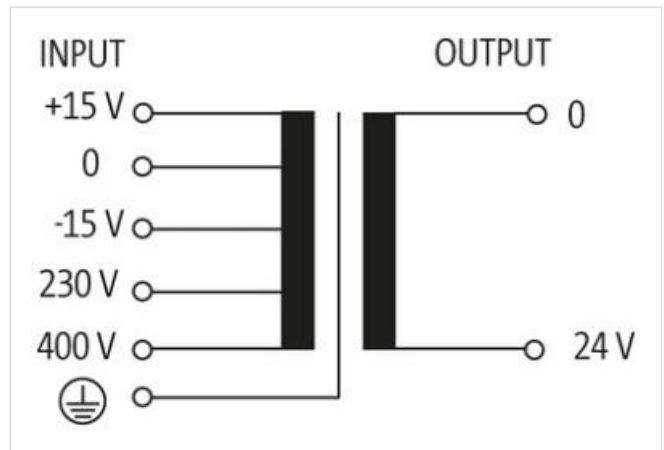
MTS 1-PHASE SAFETY TRANSFORMER

P: 63VA IN: 230/400VAC +/- 15VAC OUT: 24VAC

Single-phase safety transformer
63 VA
Isolation class T 40/B
Other voltages on request.

[Link to Product](#)

Illustration



Product may differ from Image



Output

Output voltage	24 V AC (SELV)
Output rating	63 VA

General data

Standards	EN 61558-1, EN 61558-2-6, EN 62041 category 0
Mounting method	Long-hole mounting or DIN-rail mountable TH35 (EN 60715)
Temperature range	-20...+40 °C (storage temperature -40...+80 °C)

The information in this Product-PDF has been compiled with the utmost care.
Liability for the correctness completeness and topicality of the information is restricted to gross negligence. Version: 2023-09-04

Test isolation voltage	4 kV (prim./sec.)
Drill hole Ø	4.8×8.4 mm
Fixing centers a×b×c	56×56×4.8 mm
Dimensions H×W×D	79×78×93 mm

Input

Input voltage	230/400 ±15 V AC
Inrush current	2 A (230 V AC); 1.15 A (400 V AC)
Short-circuit current	2.95 A (230 V AC); 1.7 A (400 V AC)
Input current	0.33 A (230 V AC); 0.2 A (400 V AC)
Frequency	50...60 Hz