

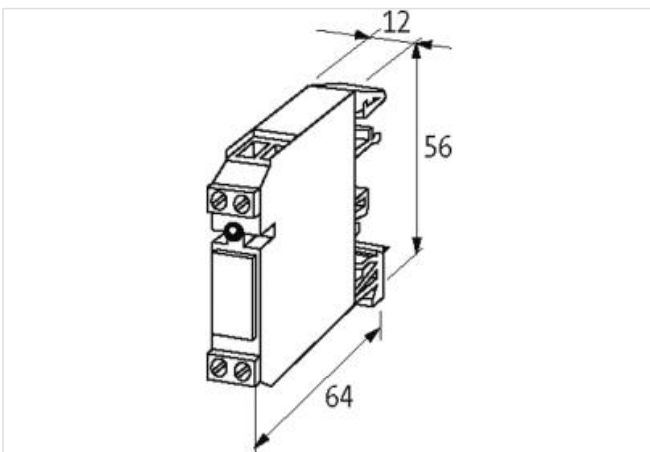
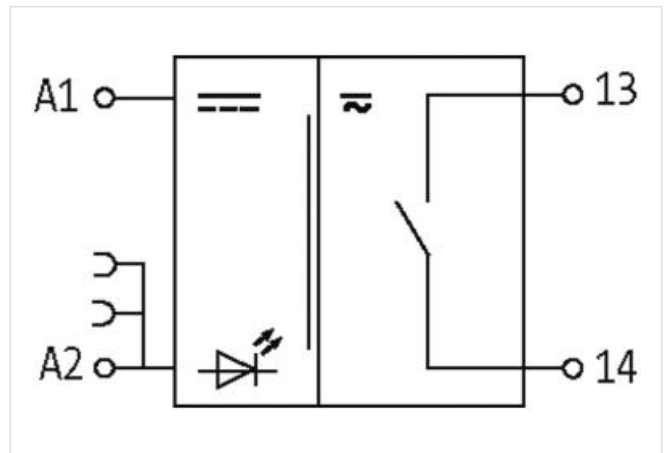
## RMM 11/24VDC WITH GROUND BRIDGE OUTPUT RELAY

IN: 24 VAC/DC - OUT: 250 VAC/DC / 5 A

1 relay; 1 NO contact  
5 A  
24 V AC/DC  
with minus plug link  
Screw terminals

### [Link to Product](#)

#### Illustration



Product may differ from Image



#### Utilization category

AC-15	3 A (24/110/230 V AC)
AC-1	5 A (24/110/230 V AC)
DC-13	1.5 A (24 V DC); 0.3 A (110 V DC); 0.15 A (230 V DC)

#### Output

Min. load current	100 mA
-------------------	--------

Contact material	Ag Ni 0.15 hv
Energize/release/contact bounce time	10/15/1.5 ms
Switching voltage	max. 250 V AC/DC
Switching frequency	max. 10 Hz
Power rating (voltage dependent)	max. 1250 VA/240 W
Switching current per output	max. 5 A

**General data**

Mounting method	DIN-rail mountable TH35 or G32 (EN 60715)
Temperature range	-25...+60 °C (storage temperature -40...+80 °C)
Test isolation voltage	4.0 kV
Mech./ elect. life	10 000 000 switching cycles/load dependent
Dimensions HxWxD	56x12x65 mm

**Input**

Plug link (supplied)	Art-No. 90960
Connection voltage - current	24 V AC/DC (19.2...30 V AC/DC) - 15 mA
LED display	LED (red)