

6

5

4

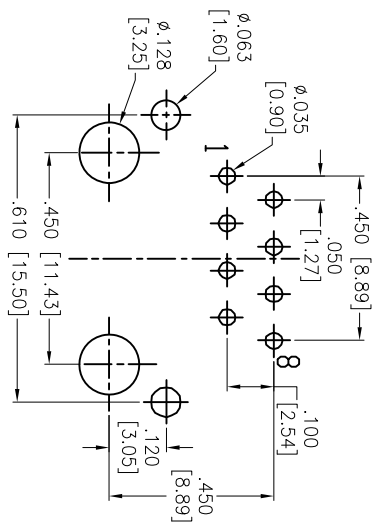
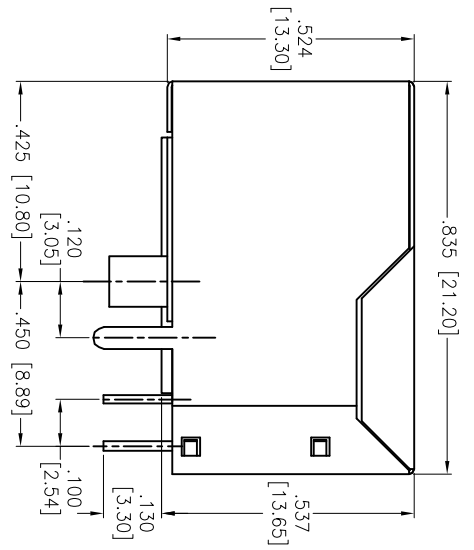
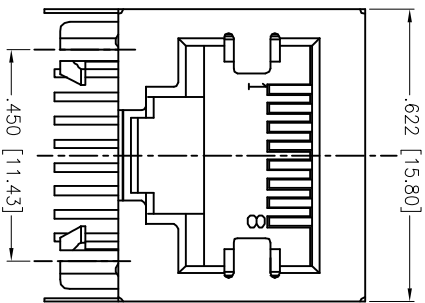
3

2

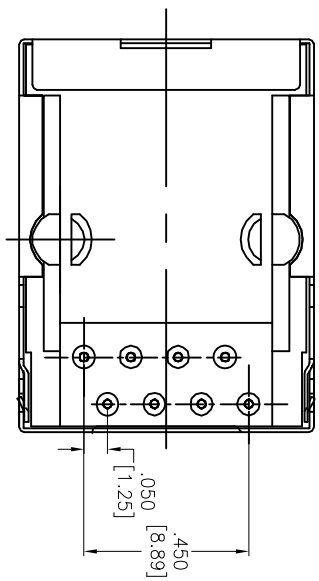
1

APPROVED: _____
 DATE: _____ TITLE: _____

Rev	AWO #	Description	Date	Appr
-		RELEASED	10/4/04	
A		REDRAWN	11/30/11	



RECOMMENDED PCB LAYOUT



SPECIFICATIONS:

Material:

Insulator: PBT, rated UL 94V-0

Insulator color: Black

Contacts: Phosphor Bronze

Shield: Brass, Nickel plated

Plating:

Gold over Nickel underplate on contact area,
 Tin over Copper underplate on PCB tails

Electrical:

Operating voltage: 125 VAC max

Current rating: 1.5 Amps max

Contact resistance: 20 mohms max

Insulation resistance: 1,000 Mohms min @ 500 VDC

Dielectric withstanding voltage: 1,000 VAC for 1 minute

Temperature Rating:

Operating temperature: -40°C to +85°C

Environmental:

Lead free, RoHS compliant.

X	PLATING
0	15 µin Gold
1	30 µin Gold
2	50 µin Gold

UNLESS OTHERWISE SPECIFIED
 ALL DIMENSIONS ARE INCHES [MM]
 TOLERANCES: EXCEPT AS NOTED
 INCHES

	HOLES	
.X	±.10	ØX ±.10
.XX	±.020	ØXXX ±.015
.XXX	±.015	ØXXX ±.010

APPROVALS	DATE

DRAWN	SS	10/4/04
CHECKED		
APPROVED		

ADAM TECH

909 Rahway Avenue, Union, NJ 07083
 Phone: 908-687-5000 Fax: 908-687-5710

TITLE: MODULAR TELEPHONE JACK, 8P8C
 RIGHT ANGLE, PCB, FULL SHIELD

SIZE	PART NO.	SCALE	SHEET	REV.
X	MTJ-88GX1-FSD	NIS	1 OF 1	A



6

5

4

3

2

1