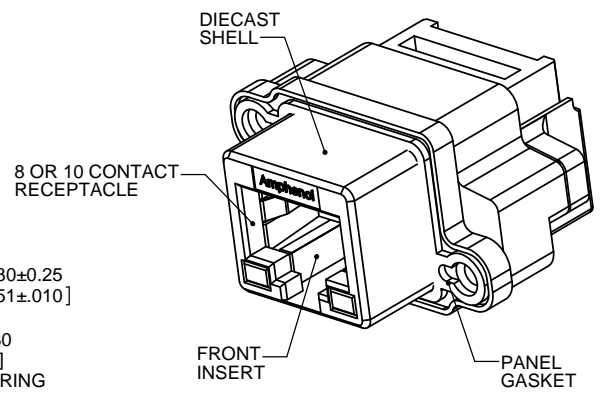
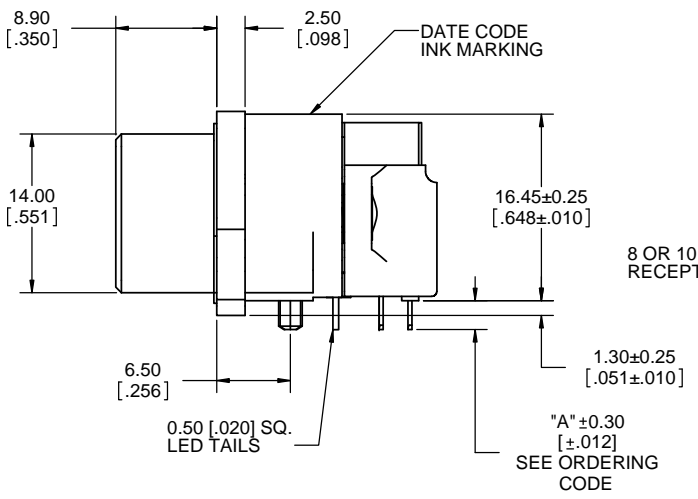
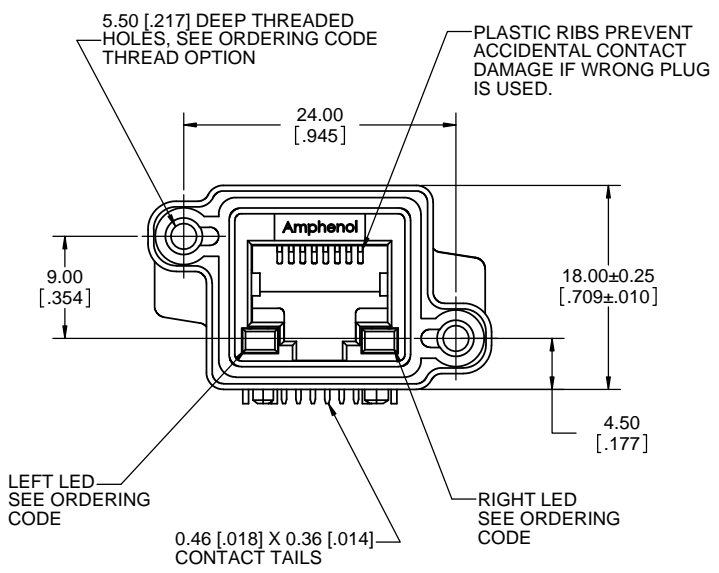


REVISIONS			
REV	DESCRIPTION, ECN, EAR NO.	DATE	APP'D
B	PRODUCT DRAWING (EAR 13977)	APR11/12	K.L.
C	PRODUCT DRAWING (EAR 14091)	JUL24/12	K.L.



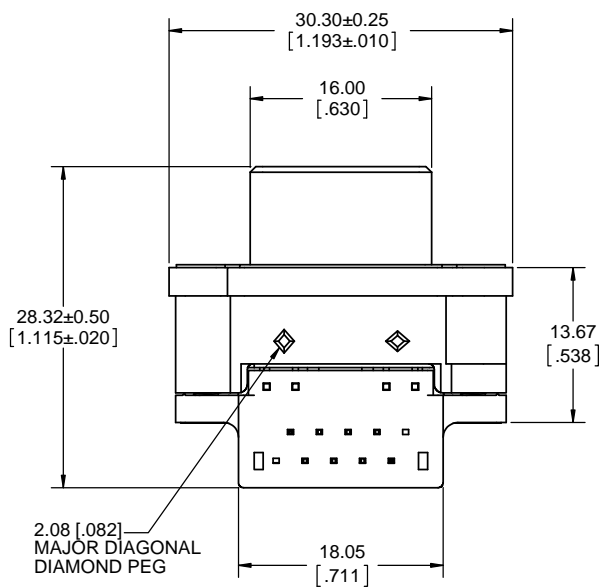
ORDERING CODE: M R J R - 5 3 X X - X 1

- SERIES, RUGGED RJ
- RJ45 RECEPTACLE, RIGHT ANGLE PCB TAIL
- NUMBER OF CONTACTS:
8 = 8 CONTACTS
A = 10 CONTACTS
- LED OPTION:
0 = NONE
1 = LEFT GREEN, RIGHT YELLOW
4 = LEFT YELLOW, RIGHT GREEN
5 = LEFT GREEN, RIGHT GREEN
- TAIL LENGTH AND MOUNTING HOLE THREAD OPTION:
0 = "A" 2.54 [.100], #4-40 UNC
B = "A" 3.81 [.130], #4-40 UNC
M = "A" 2.54 [.100], M3 X 0.5
P = "A" 3.81 [.130], M3 X 0.5
- SINGLE PORT

SPECIAL CONNECTORS
MANY UNIQUE FEATURES ARE READILY AVAILABLE TO SUIT CUSTOMER REQUIREMENTS. CONSULT WITH AMPHENOL CANADA FOR DETAILS.

NOTES:

1. MATERIAL:
ALL MATERIALS ARE RoHS COMPLIANT PER EU DIRECTIVE 2002/95/EC AND AMENDMENTS
 - SHELL - DIECAST ZINC, NICKEL PLATED
 - CONTACTS - PHOSPHOR BRONZE WITH 1.27µm [50µ"] MIN GOLD OVER 1.27µm [50µ"] MIN NICKEL ON THE MATING AREA AND MATTE TIN OVER NICKEL ON THE CONTACT TAILS.
 - INSERTS - ENGINEERING THERMOPLASTIC, UL94V-0 FLAMMABILITY RATING. REAR INSERTS: BLACK NYLON, FRONT INSERT: CLEAR POLYCARBONATE
 - GASKET - SILICONE RUBBER, CONDUCTIVE, BLACK
 - LED'S - EPOXY LENS, STEEL TAILS WITH TIN PLATING
2. ENVIRONMENTAL PERFORMANCE PER IEC 60529 CODE IP67 FOR SEAL BETWEEN MATING AREA AND PCB SIDE OF CONNECTOR. GASKET PROVIDES SEAL TO INSIDE FACE OF PANEL.
3. CURRENT RATING: 1.5 AMPERES
4. CONTACT RESISTANCE: 30 MILLIOHMS MAXIMUM
5. OPERATING TEMPERATURE: -40C TO +105C
6. LED CHARACTERISTICS: FORWARD DC CURRENT 25 mA MAX., FORWARD VOLTAGE 2.5V MAX. @ 2 mA
7. RECOMMENDED TORQUE FOR PANEL MOUNT SCREWS: 0.45 TO 0.65 N-m (4.0 TO 5.75 IN-LBS) FOR STEEL SCREWS WITH 3.00 (.118) THREAD ENGAGEMENT.
8. CUSTOMER TO VERIFY THAT ALL PROCESS CLEANERS ARE COMPATIBLE WITH POLYCARBONATE MATERIAL..
9. AVAILABLE MATING AREA COVERS PROVIDE ADDED PROTECTION. CONSULT WITH AMPHENOL CANADA FOR DETAILS.



UNLESS SPECIFIED OTHERWISE	DRAWN	T.KEARSE	OCT20/11
PRIMARY UNITS MILLIMETERS	CHECKED	K. LAMBIE	OCT20/11
SECONDARY INCHES	M.E. APP'D		
REFERENCE IN PARENTHESES	Q.A. APP'D		
GENERAL TOLERANCES	DWG APPR.		
1 DECIMAL PLACE	ENG. REL. NO.	EAR 13977	
2 DECIMAL PLACES ±0.15	REF.		
3 DECIMAL PLACES	THIRD ANGLE PROJECTION		
ANGULAR DEGREES	DO NOT SCALE DRAWING		

Amphenol Canada Corp.
www.amphenolcanada.com

MRJR SERIES RUGGED MODULAR JACK, RIGHT ANGLE, 8 OR 10 POSITION, LED, TAIL LENGTH & THREAD OPTIONS, ROHS COMPLIANT

DWG. NO. **P-MRJR-53XX-X1** REV **C**

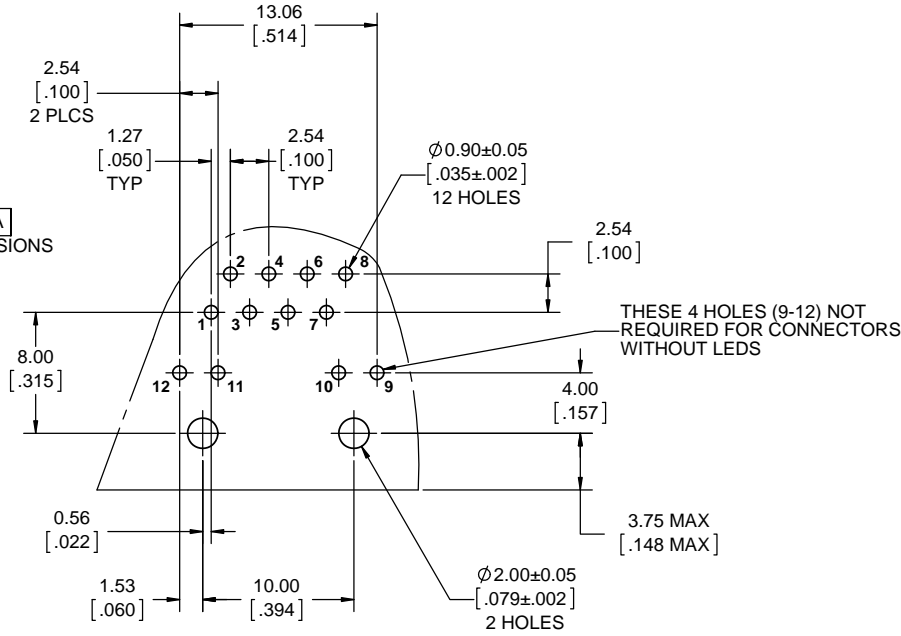
CODE ID NO. 03554 DWG SIZE: X SCALE: 3:1 SHEET 1 OF 2

RECOMMENDED PCB LAYOUT
COMPONENT SIDE OF BOARD

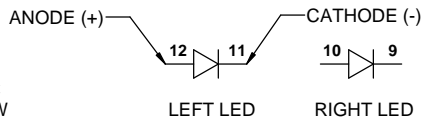
REVISIONS			
REV	DESCRIPTION, ECN, EAR NO.	DATE	APP'D
B	PRODUCT DRAWING (EAR 13977)	APR11/12	K.L.
C	PRODUCT DRAWING (EAR 14091)	JUL24/12	K.L.

8 POSITION VIEW

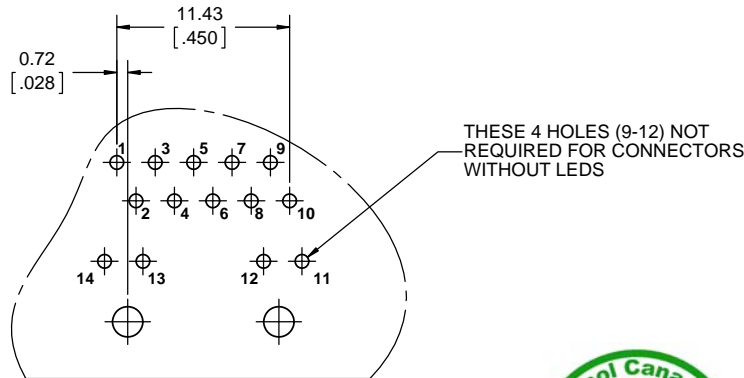
LOCATE HOLES
 $\varnothing 0.13$ [.005] DIA
 POSITION DIMENSIONS
 ARE BASIC



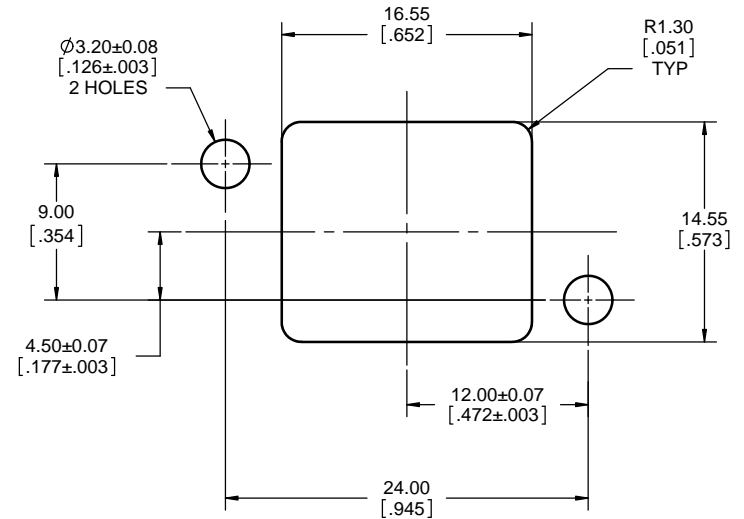
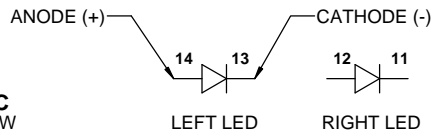
8 POSITION LED SCHEMATIC
GREEN OR YELLOW



10 POSITION VIEW



10 POSITION LED SCHEMATIC
GREEN OR YELLOW



RECOMMENDED PANEL CUTOUT
OUTSIDE PANEL VIEW



UNLESS SPECIFIED OTHERWISE	DRAWN	T.KEARSE	OCT20/11
PRIMARY UNITS MILLIMETERS	CHECKED	K. LAMBIE	OCT20/11
SECONDARY UNITS INCHES	M.E. APP'D		
REFERENCE IN PARENTHESES	Q.A. APP'D		
GENERAL TOLERANCES	DWG APPR.		
1 DECIMAL PLACE	ENG. REL. NO.	EAR 13977	
2 DECIMAL PLACES ±0.15	REF.		
3 DECIMAL PLACES	THIRD ANGLE PROJECTION		
ANGULAR DEGREES	DO NOT SCALE DRAWING		

Amphenol Canada Corp.
www.amphenolcanada.com
MRJR SERIES RUGGED MODULAR JACK,
RIGHT ANGLE, 8 OR 10 POSITION, LED,
TAIL LENGTH & THREAD OPTIONS,
ROHS COMPLIANT

DWG. NO. **P-MRJR-53XX-X1** REV **C**

CODE ID NO. 03554 DWG SIZE: X SCALE: 5:1 SHEET 2 OF 2