

## Keystone DIN-Rail Adapter for RJ45 Module

Part no.: MP0053

### Technical Features

For one RJ45 keystone module

Fits into standard 35mm DIN rail

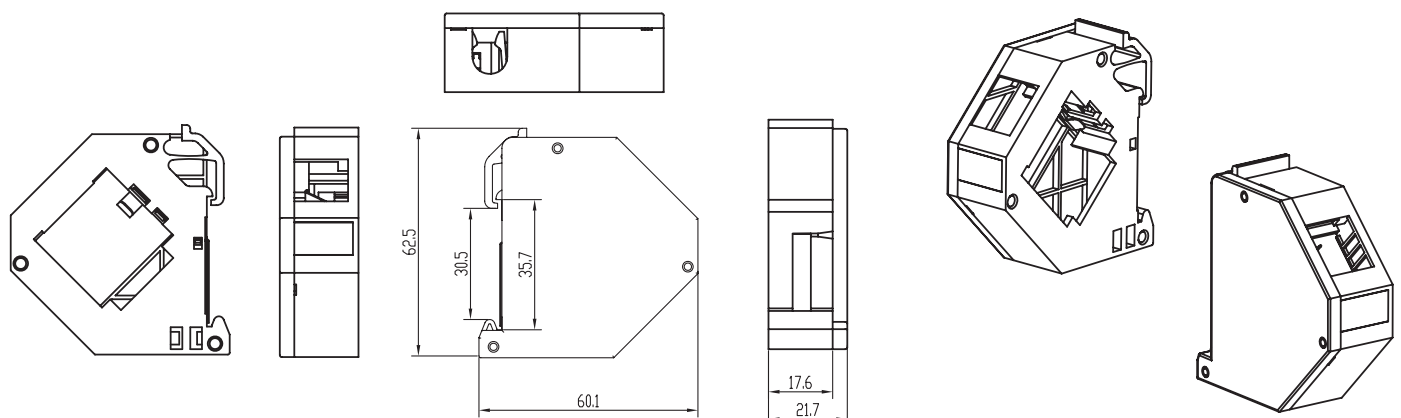
ABS housing; Light grey

With shield plate (grounding)

Keystone Port: 16.3 x 15mm

Stackable

### Technical Drawings



MP0053



4 052792 041095

Made in China

[www.logilink.de](http://www.logilink.de)



RoHS  
compliant



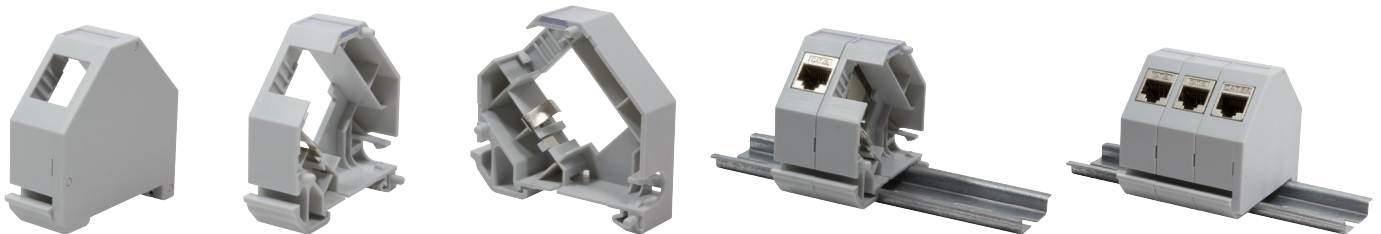
\* The specifications and pictures are subject to change without notice.  
\*All trade names referenced are the registered trademark of their respective owners.

## Package Contents

Keystone DIN-Rail Adapter for RJ45 Module x1

## Packaging Informations

Packing Dimension	120 x 90 x 25mm
Packing Weight	0.03kg
Carton Dimension	500 x 370 x 270mm
Carton Q'ty	300pcs
Carton Weight	8.4kg



MP0053



4 052792 041095

Made in China

[www.logilink.de](http://www.logilink.de)



RoHS  
compliant



\* The specifications and pictures are subject to change without notice.  
\*All trade names referenced are the registered trademark of their respective owners.