



## Keystone DIN-Rail Adapter, 1-Port

Part no.: MP0051

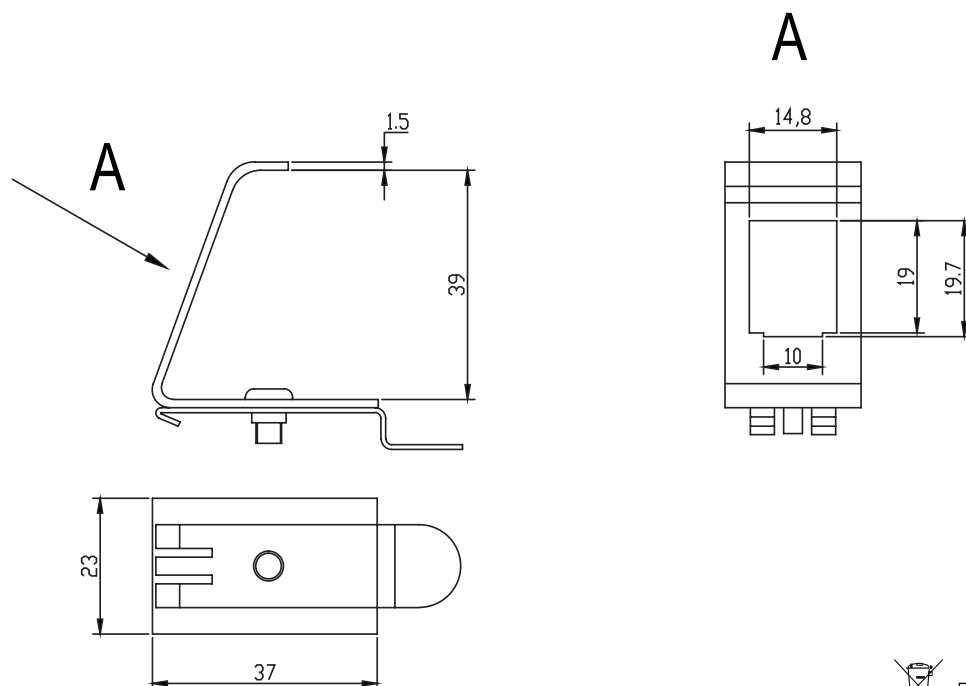
### Technical Features

For carrying one RJ45 keystone module

Solid metal bracket

1.5mm stainless steel

### Technical Drawings



MP0051



4 052792 041071

Made in China

[www.logilink.de](http://www.logilink.de)



RoHS  
compliant



\* The specifications and pictures are subject to change without notice.  
\*All trade names referenced are the registered trademark of their respective owners.

## Package Contents

Keystone DIN-Rail Adapter, 1-Port x1

## Packaging Informations

Packing Dimension	100 x 125 x 25mm
Packing Weight	0.03kg
Carton Dimension	325 x 325 x 260mm
Carton Q'ty	300pcs
Carton Weight	8.7kg



MP0051



4 052792 041071

Made in China

[www.logilink.de](http://www.logilink.de)



RoHS  
compliant



\* The specifications and pictures are subject to change without notice.  
\*All trade names referenced are the registered namework of their respective owners.