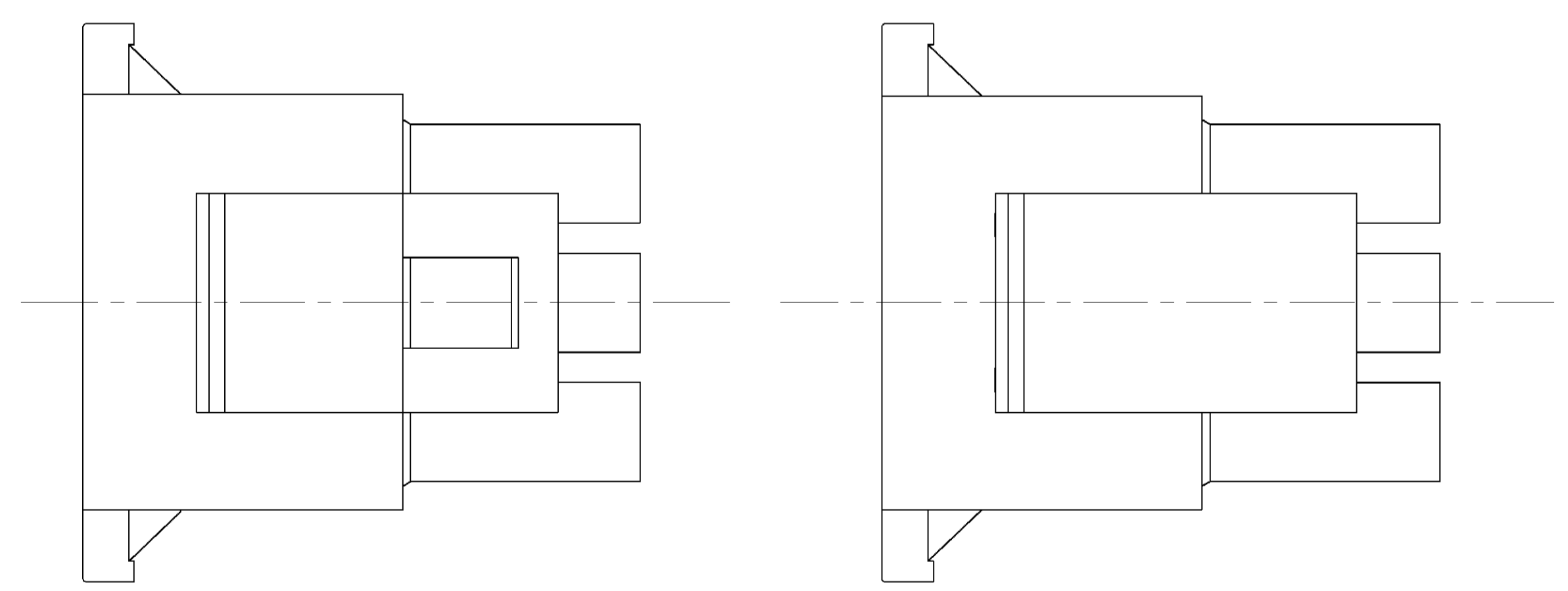
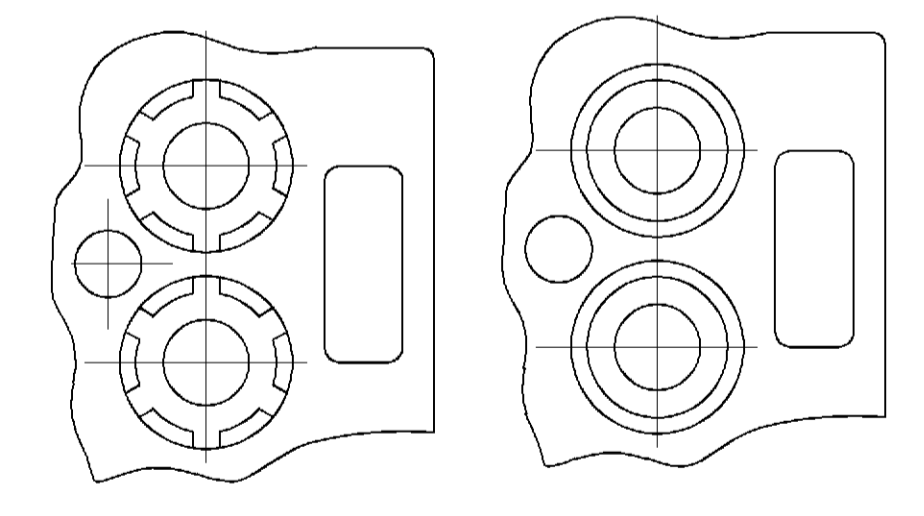


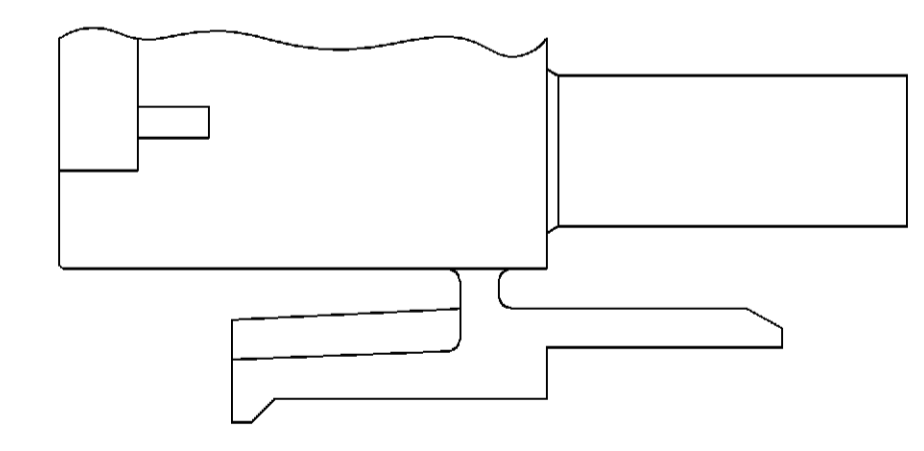
- MATES WITH APPROPRIATE UNIVERSAL MATE-N-LOK™ CAP OR HEADER.
  - SMALL NICKS ARE PERMITTED ON THE CIRCUIT TOWERS WHICH COULD INCREASE THE INITIAL HOUSING MATING FORCE BY UP TO 4.4 NEWTONS [1.0] LBS. NO INDIVIDUAL NICKED TOWER SHALL INCREASE THIS FORCE BY OVER 2.2 NEWTONS [.5] LBS.
- △3 DIMENSION INDICATED IS AS MOLDED. ADDITIONAL GROWTH DUE TO SUBSEQUENT MOISTURE ABSORPTION MAY OCCUR.
- △4 FOUR RIBS EQUALLY SPACED, NO SPECIFIC ORIENTATION, NO RIBS OR SIX RIBS EQUALLY SPACED, NO SPECIFIC ORIENTATION, OPTIONAL.
- △5 NOT MANUFACTURED IN THE UNITED STATES.
- △6 UNDERWRITERS RECOGNIZED COMPONENT LOGO AND CSA CERTIFICATION LOGO TO BE LOCATED ONCE ON EACH SIDE OF HOUSING.
7. NYLON, UL94V-0.



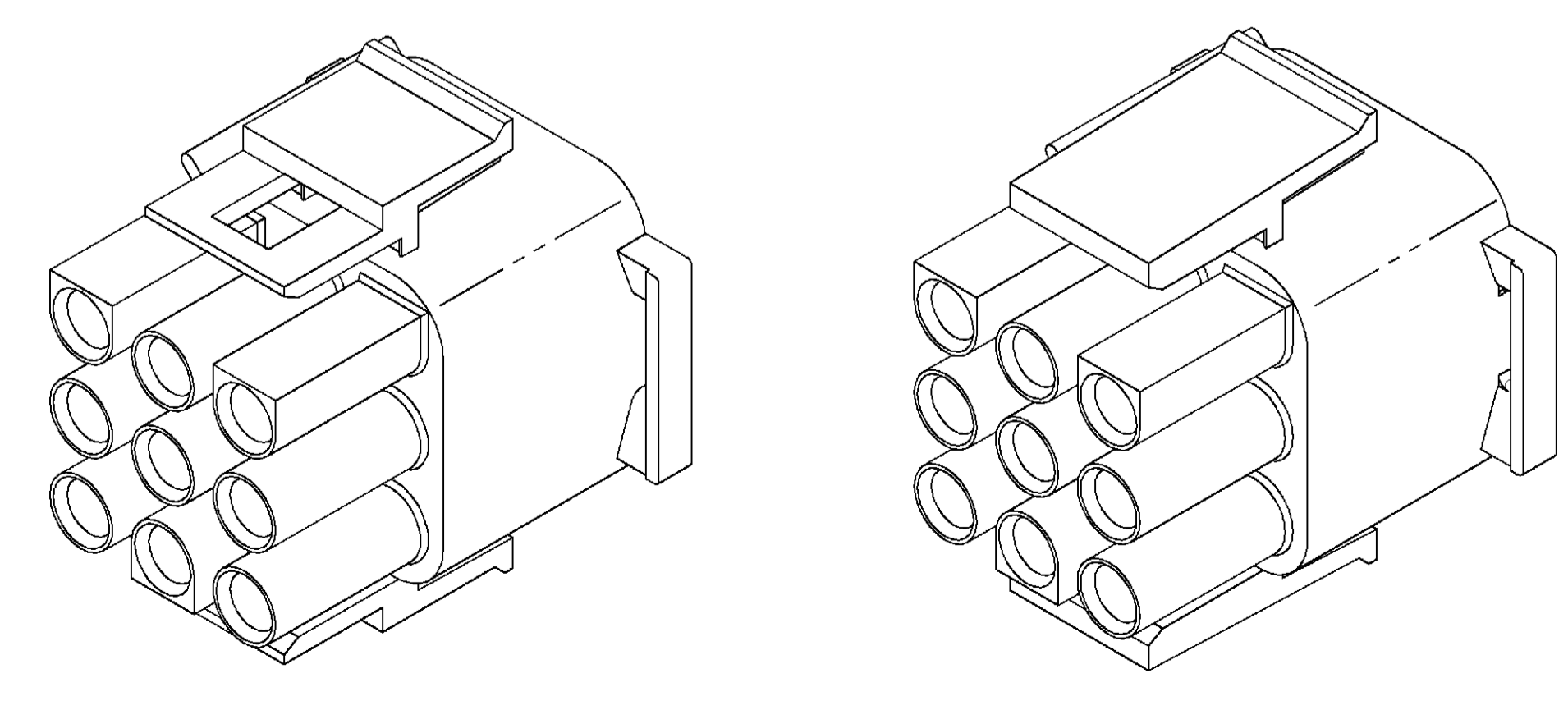
VIEW A-A  
350720-4 ONLY



DETAIL A  
OPTIONAL CONSTRUCTION

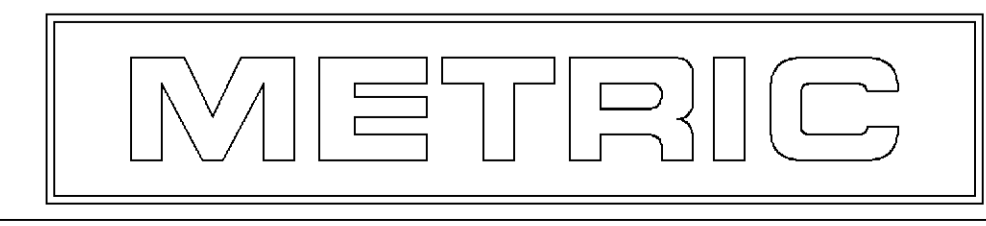


DETAIL B  
350720-4 ONLY



350720-4 3-DIMENSIONAL MODEL  
NOT TO SCALE

3-DIMENSIONAL MODEL  
NOT TO SCALE



△5 350720-4  
350720-1  
PART NUMBER

THIS DRAWING IS A CONTROLLED DOCUMENT.		DWN S. HAMM 07-JUN-2001		Tyco Electronics Corporation Harrisburg, PA 17105-3608	
DIMENSIONS: MM [INCHES]		CHK S. RIDGILL 07-JUN-2001		NAME S. RIDGILL 07-JUN-2001	SIZE A1
TOLERANCES UNLESS OTHERWISE SPECIFIED: 0 PLC ± 1 PLC ± 2 PLC ± 0.13 [.005] 3 PLC ± 4 PLC ± ANGLES ± .30°		APVD S. RIDGILL 07-JUN-2001	PRODUCT SPEC	APPLICATION SPEC	RESTRICTED TO
MATERIAL		WEIGHT	SCALE 4:1	SHEET 1 of 1	REV AA
CUSTOMER DRAWING		DRAWING NO. C=350720		PLUG, 9 CIRCUIT, UNIVERSAL MATE-N-LOK™	