

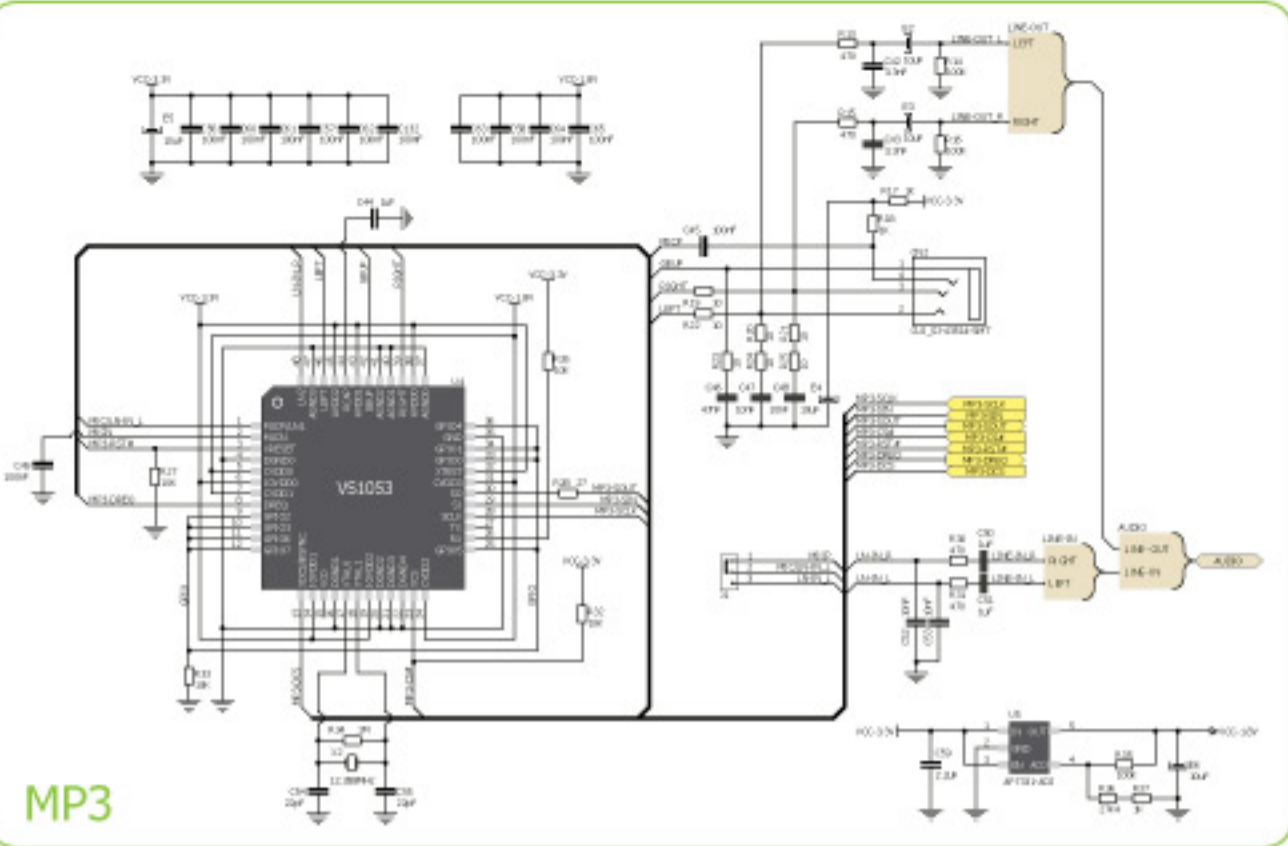
# mikromedia+ for STM32F7 ARM®

We present you with a complete color schematics for mikromedia+ for STM32F7 ARM® development board. We want you to know what your board is consisted of and how it actually works.

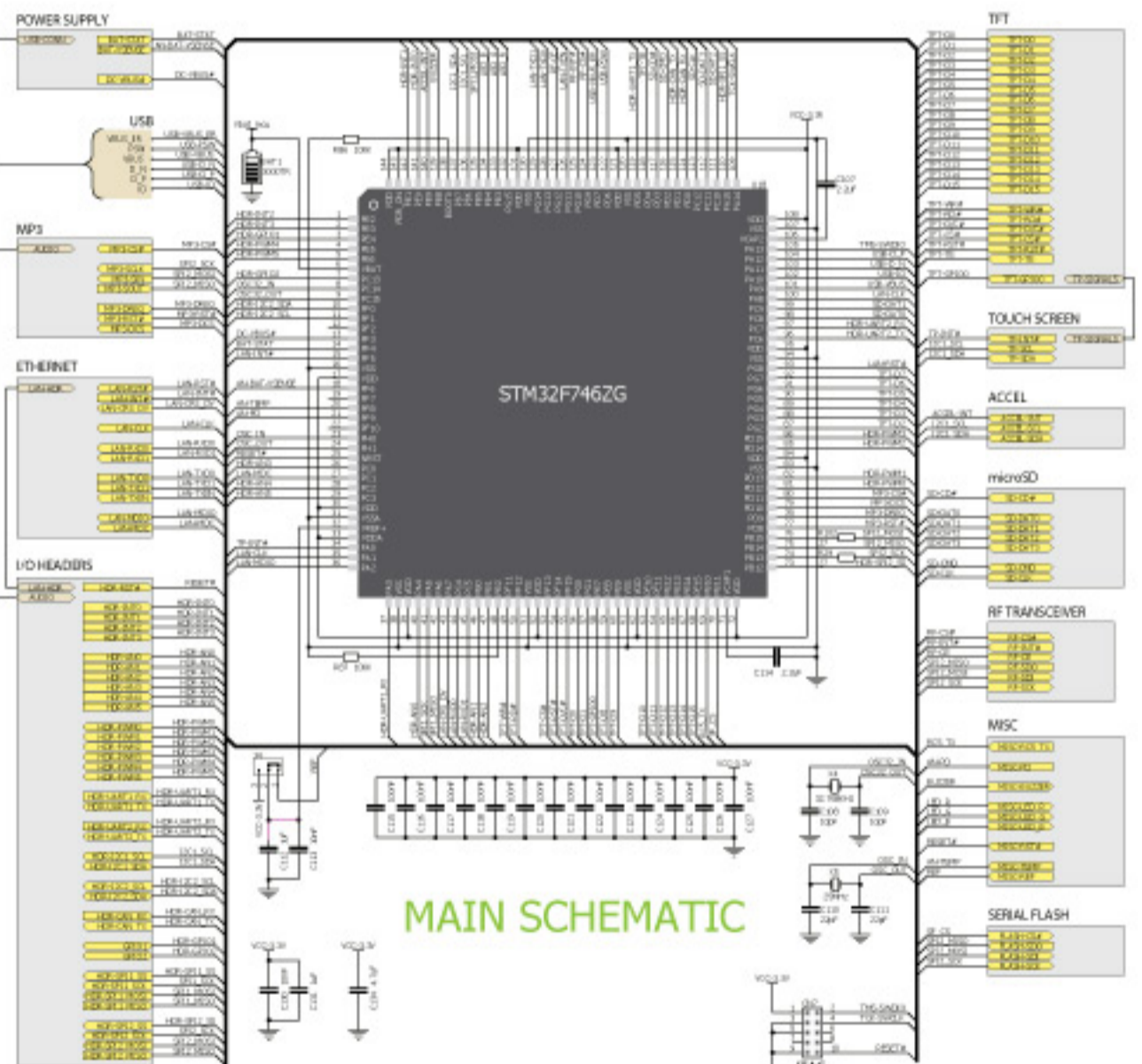


mikromedia Plus for STM32F7  
Schematics v1.00  
  
0100000106044

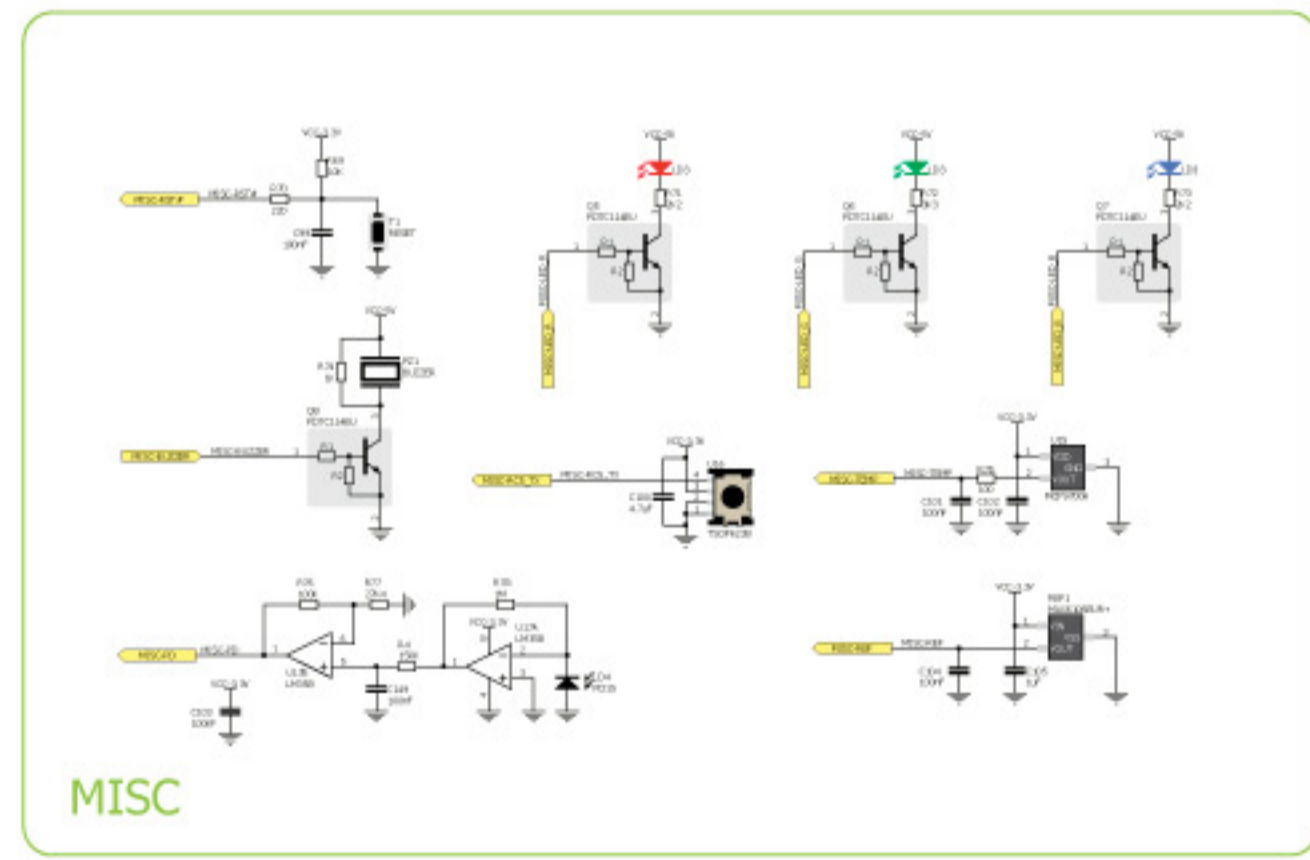
Designed by  
MikroElektronika Ltd.  
www.mikroe.com



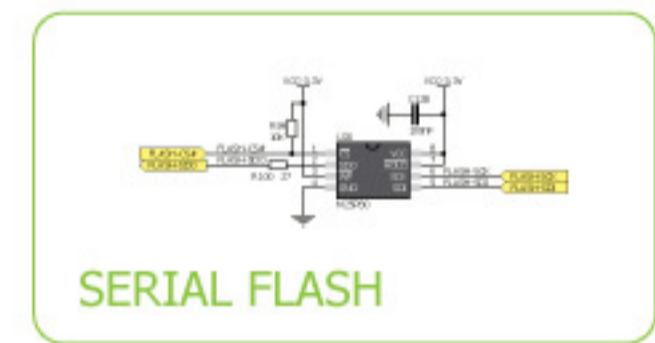
MP3



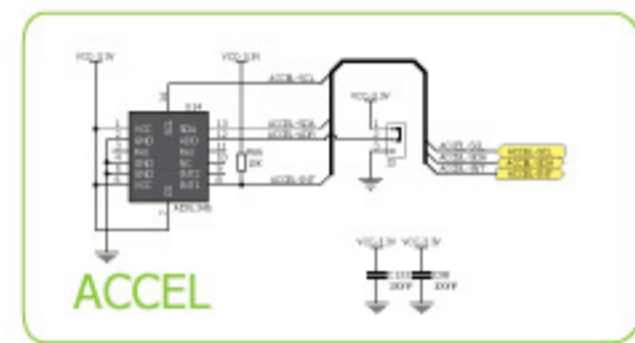
MAIN SCHEMATIC



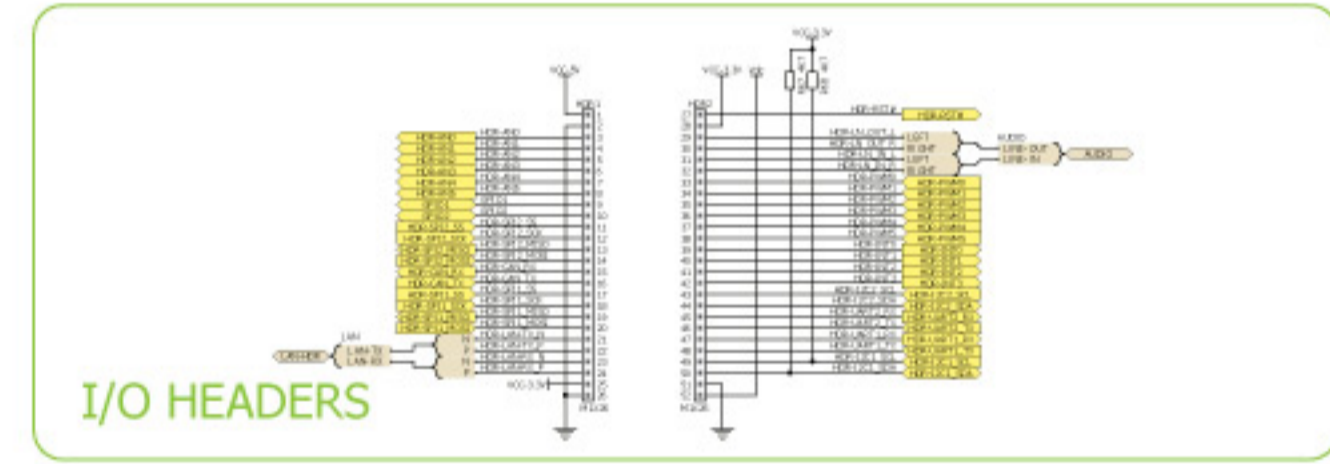
MISC



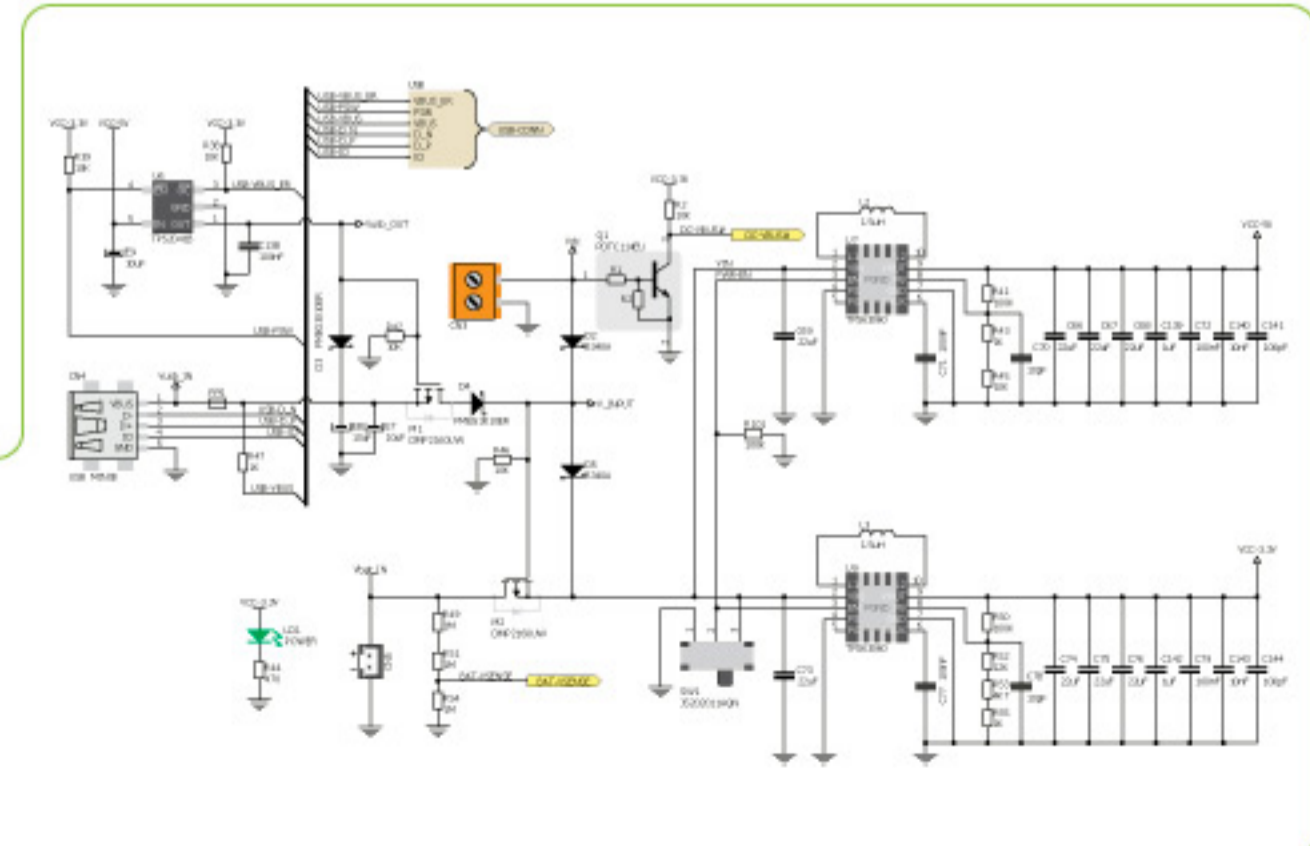
SERIAL FLASH



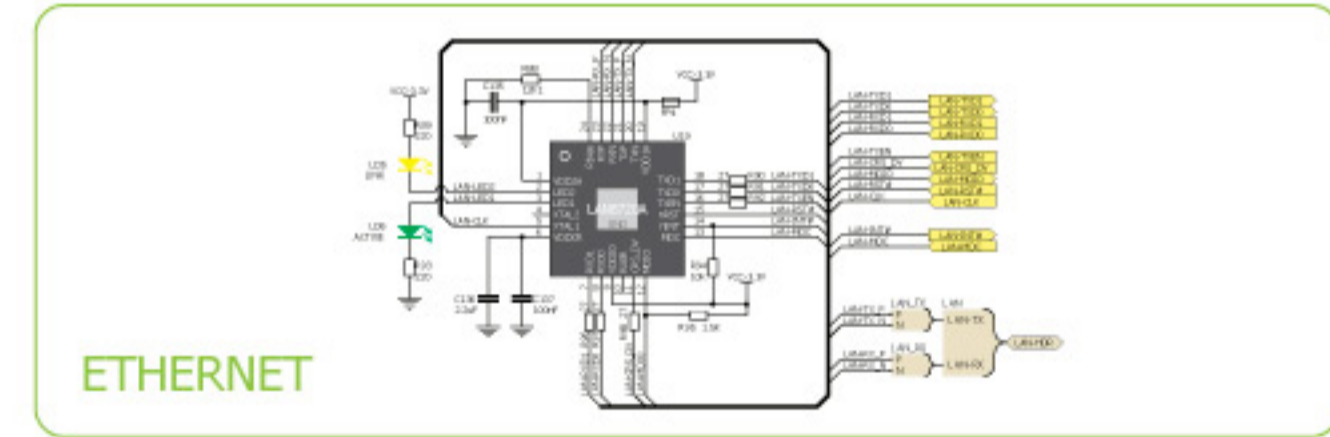
ACCEL



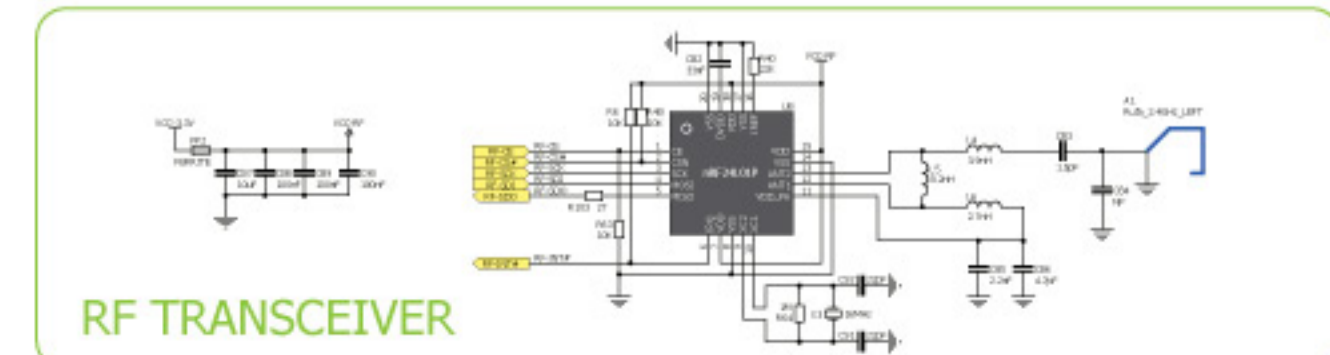
I/O HEADERS



POWER SUPPLY

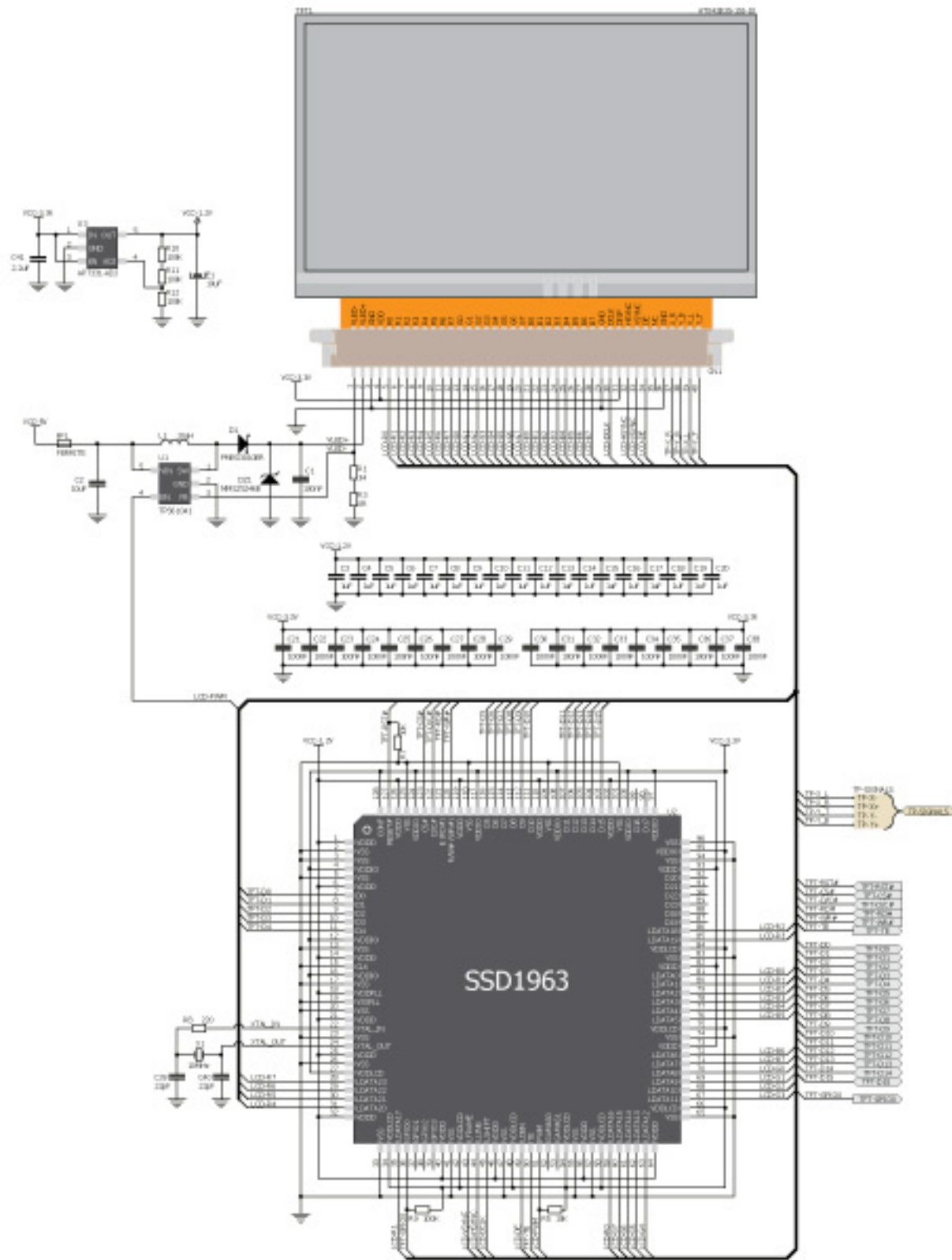


ETHERNET

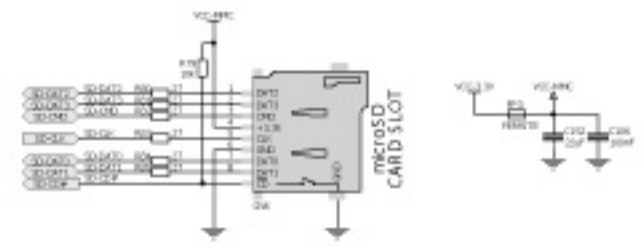


RF TRANSCEIVER

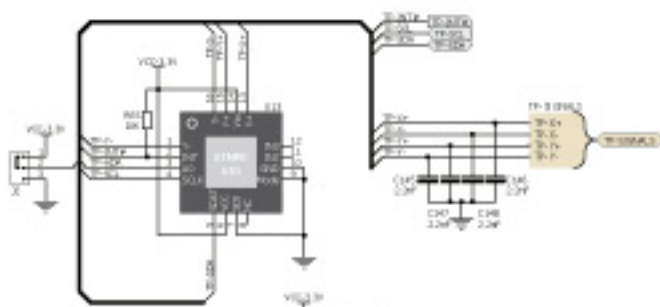




TFT



microSD



TOUCH SCREEN

Board components (front)



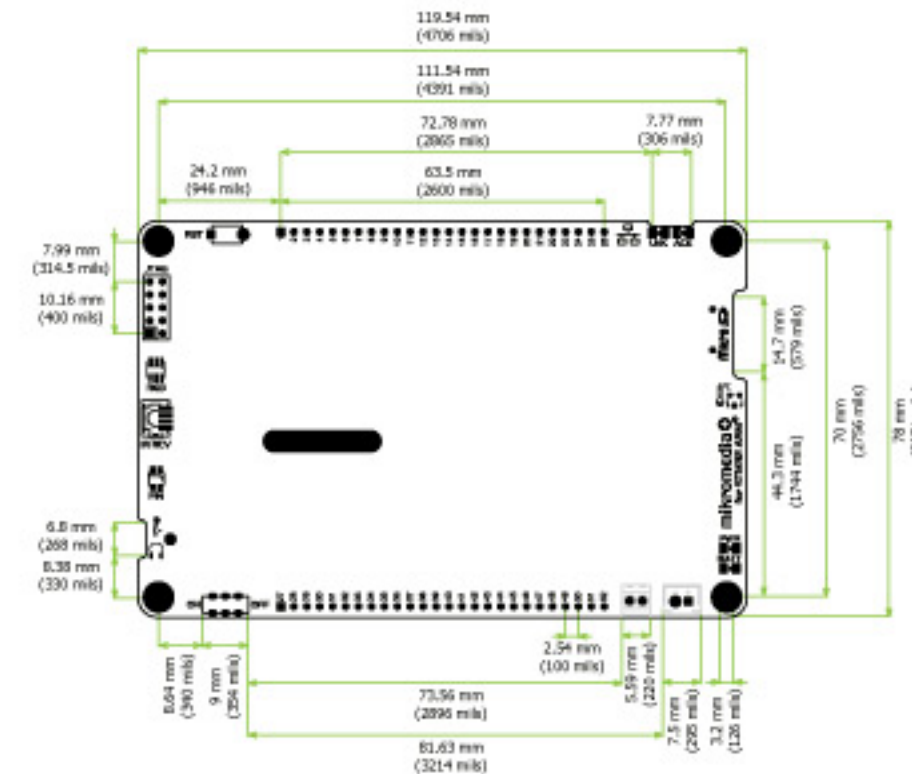
- 01 PIN photodiode
- 02 IR receiver
- 03 RGB LED diode
- 04 RESET button
- 05 Connection pads
- 06 TFT 480x272 display
- 07 ETHERNET status LEDs
- 08 Charge indication LED
- 09 Power indication LED
- 10 Analog temperature sensor
- 11 JTAG/SwD programmer connector
- 12 Buzzer
- 13 Operational amplifiers
- 14 3.5mm audio connector
- 15 ON/OFF Switch
- 16 VS1053 Stereo mp3 coder/decoder
- 17 Flat cable connector

- 18 Display controller
- 19 Accel. and Touch Panel address SMD jumpers
- 20 Touch screen controller
- 21 Battery holder
- 22 Accelerometer
- 23 Serial Flash memory
- 24 Reference selection SMD jumper
- 25 25MHz Crystal oscillator
- 26 32.768kHz Crystal oscillator
- 27 STM32™ ARM® Cortex™-M4 STM32F746ZG
- 28 ETHERNET controller
- 29 USB MINI-B connector
- 30 microSD card slot
- 31 RF transceiver chip
- 32 Power screw terminals
- 33 Li-Polymer battery connector
- 34 2.4GHz Antenna

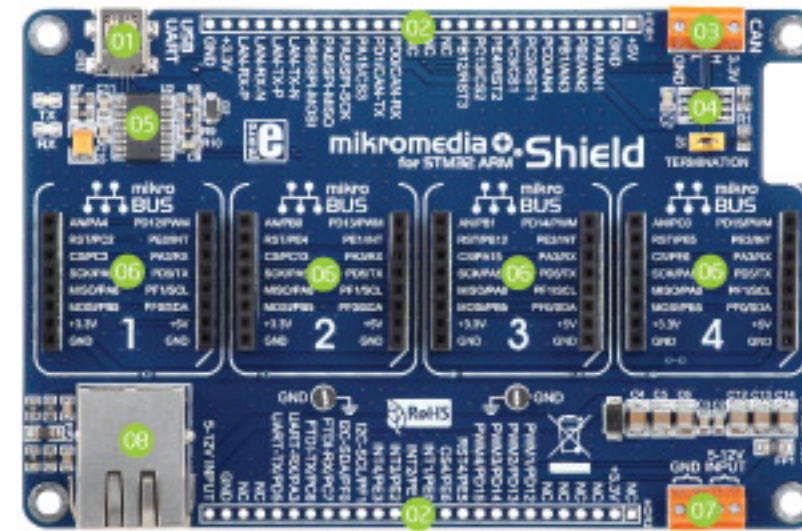


Board components (back)

Board dimensions

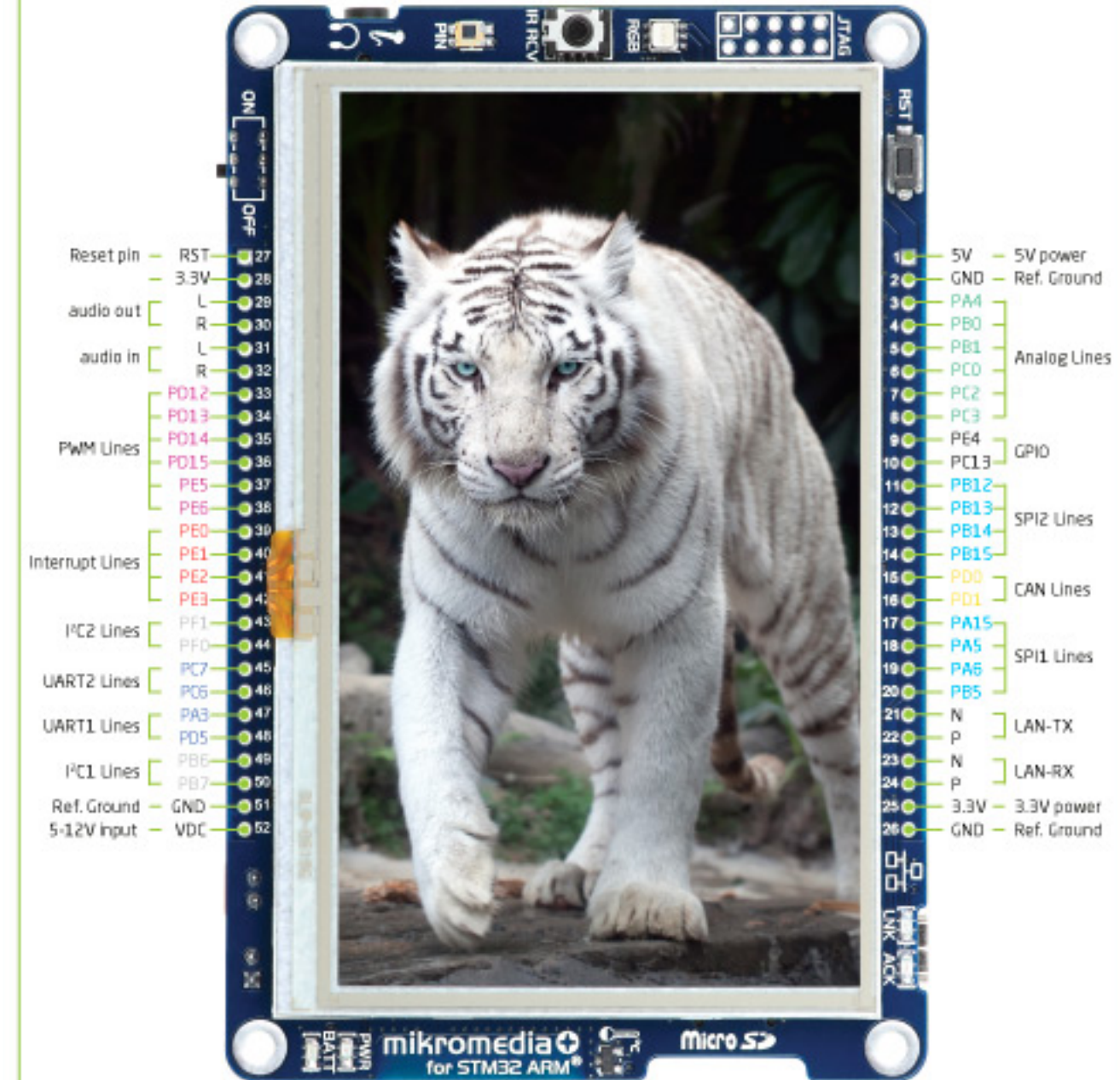


mikromedia Shield



- 01 USB MINI-B connector
- 02 Connection pads
- 03 CAN screw terminals
- 04 CAN transceiver chip
- 05 FTDI dip
- 06 mikroBUS sockets
- 07 Power supply screw terminals
- 08 ETHERNET connector

Board PINOUT



■ CAN Lines ■ Analog Lines ■ Interrupt Lines ■ SPI Lines ■ I2C Lines ■ UART Lines ■ PWM Lines