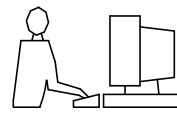


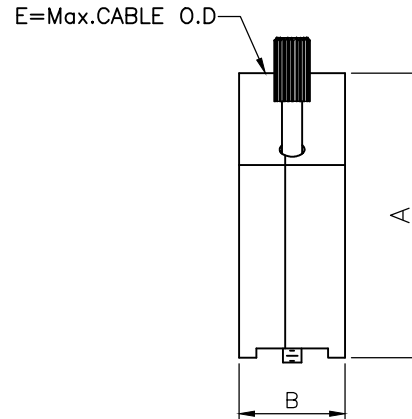
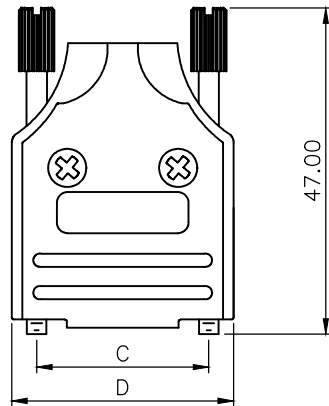
THIS IS A C.A.D. GENERATED DRAWING  
DO NOT MAKE MANUAL REVISIONS TO MASTER.



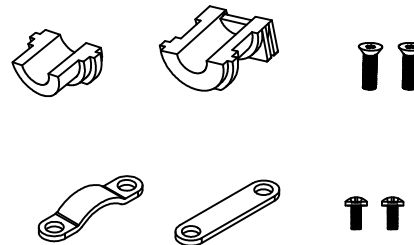
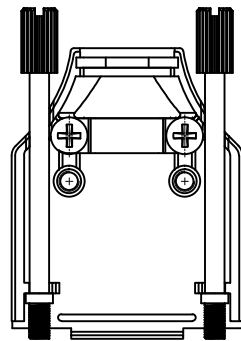
\* UNLESS OTHERWISE SPECIFIED TOLERANCES  
ON DECIMAL IS: ANGLE  $\pm 1^\circ$   
UNIT: MM .XX  $\pm 0.50$

**BACKSHELL KIT INCLUDES:**

- (2)BACKSHELL HALVES
- (1)GROMMET
- (2)JACKSCREWS
- (2)SHELLSCREWS
- (2)CLAMPSCREWS
- (1)METAL CLAMP
- (1)METAL CLAMP FLAT



DIMENSIONS(mm/in)					
SIZE	A $\pm_{\substack{.30 \\ .012}}$	B $\pm_{\substack{.50 \\ .020}}$	C $\pm_{\substack{.25 \\ .010}}$	D $\pm_{\substack{1.3 \\ .051}}$	E
9	41.3	15.4	24.99	32.2	13.0
	1.626	0.606	0.984	1.268	0.512
15	43.3	15.4	33.32	40.6	13.0
	1.705	0.606	1.312	1.598	0.512
25	49.5	15.4	47.04	54.5	13.0
	1.949	0.606	1.852	2.146	0.512
37	54.3	15.4	63.50	70.7	13.0
	2.138	0.606	2.500	2.783	0.512



BACKSHELL MATERIAL:  
PLATING:  
GROMMET:  
COLOR  
SCREW:  
CLAMP:  
OPERATING TEMP:

DIE CAST ZINC ALLOY  
NICKEL PLATED  
THERMOPLASTIC ABS  
NATURAL NICKEL PLATED  
STEEL, ZINC PLATED  
STEEL, SHEET, NICKEL PLATED  
-40°C TO +120°C

**ORDERING INFORMATION:**

SIZE	P/N - KITTED	PRODUCT CODE
9-WAY	6560-0136-01	MHDM-9-K
15-WAY	6560-0136-02	MHDM-15-K
25-WAY	6560-0136-03	MHDM-25-K
37-WAY	6560-0136-04	MHDM-37-K

THESE DRAWINGS AND SPECIFICATIONS ARE THE PROPERTY OF MH CONNECTORS AND SHALL NOT BE REPRODUCED, COPIED OR USED AS THE BASIS FOR THE MANUFACTURE OR SALE OF APPARATUS WITHOUT WRITTEN PERMISSION.

DRAWN Johnny	DATE 11-24-15
APPROVED Victor Lin	DATE 11-24-15



THIS SERIES FULLY CONFORMS TO THE EUROPEAN UNION DIRECTIVES 2002/95/EC AND 2002/96/EC FOR RoHS COMPLIANCY.

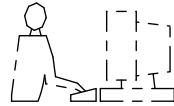


**MH CONNECTORS ,  
DIVISION OF EDAC**

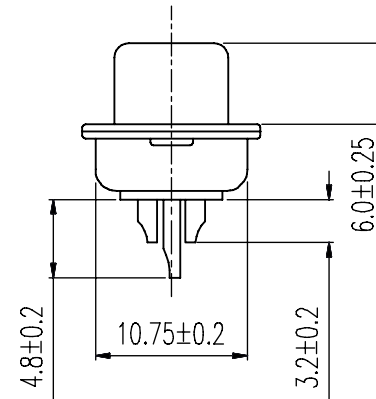
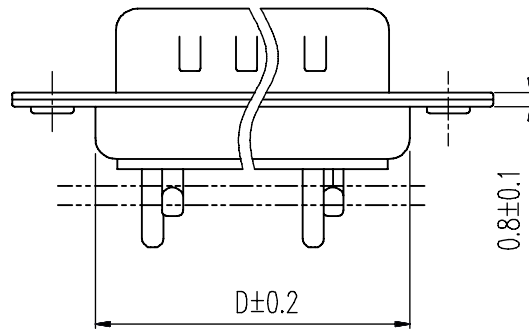
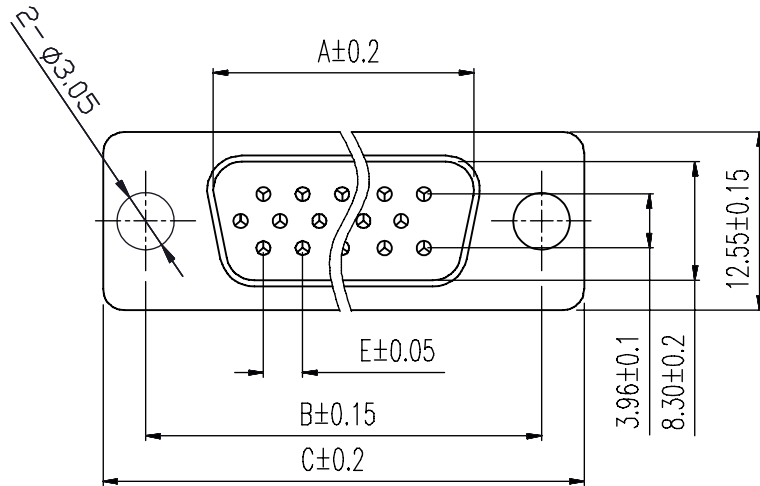
SCALE 1 : 1	SHEET OF 1 OF 1	REV: 4.0
----------------	--------------------	-------------

DRAWING No  
MHDM-XX-K

THIS IS A C.A.D. GENERATED DRAWING  
DO NOT MAKE MANUAL REVISIONS TO MASTER.



\* UNLESS OTHERWISE SPECIFIED TOLERANCES  
ON DECIMAL IS: ANGLE X.° ± 3' X.X' ± 1"  
UNIT: MM  
X. ± 0.30  
X.X ± 0.25  
X.XX ± 0.20  
X.XXX ± 0.15



Order Codes:

Plug Connector      Stamped & Formed

15-WAY	MHHDS-15-M-N-B-S
26-WAY	MHHDS-26-M-N-B-S
44-WAY	MHHDS-44-M-N-B-S
62-WAY	MHHDS-62-M-N-B-S

POS.	A	B	C	D	E
15	16.90	24.99	30.80	19.10	2.29
26	25.30	33.32	39.10	27.75	2.29
44	39.00	47.04	53.00	41.30	2.29
62	55.40	63.50	69.30	57.40	2.41

Remark:1.MATERIAL:

Plastic:PBT+30% G.F (UL94V-0) BLACK

Spcc shell:Spcc front shell is nickel plated back shell is nickel plated

THESE DRAWINGS AND SPECIFICATIONS ARE THE PROPERTY OF MH CONNECTORS AND SHALL NOT BE REPRODUCED, COPIED OR USED AS THE BASIS FOR THE MANUFACTURE OR SALE OF APPARATUS WITHOUT WRITTEN PERMISSION.

DRAWN  
IVEN Ou      DATE  
08-18-22

APPROVED      DATE

SCALE      SHEET OF      REV:  
1 : 1      1 OF 1      3.0

DRAWING No  
MHHDS-XX-M-N-B-S



THIS SERIES FULLY CONFORMS TO THE EUROPEAN UNION DIRECTIVES 2002/95/EC AND 2002/96/EC FOR RoHS COMPLIANCY.



MH CONNECTORS ,  
DIVISION OF EDAC