

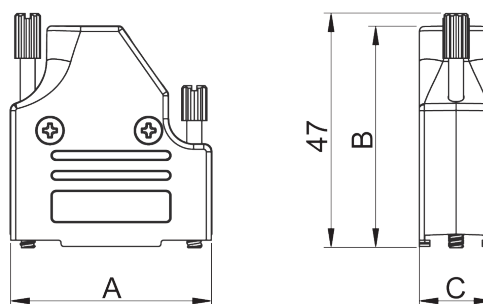
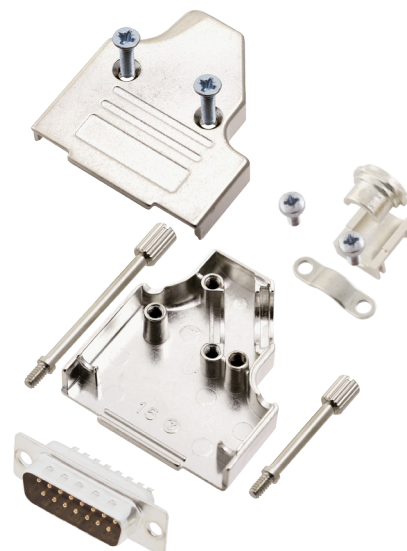
TECHNICAL SPECIFICATIONS

D-Sub Hood:

Material:	Zinc, Nickel Plated
Operating Temperature:	-40°C to +120°C
Cable Entry:	Side Entry 35°
Thumbscrews:	UNC 4-40 (Standard)
Cable O.D.:	Up to 13mm

Male D-Sub Solder Cup:

Insulator:	PBT, Black, UL94 V-0
Shell:	Steel, Tin Plated
Contact pins:	Copper Alloy
Stamped & Formed Pins	Class 3, 100 inserts min.
Machined Contact Pins:	Class 1, 500 inserts min.
Contact Plating:	Selective Gold over Nickel
Operating Temperature:	-55°C to +105°C
Withstanding voltage:	1000V for 1 minute
Insulator resistance:	1000MΩ min
Insulator resistance:	1000MΩ min



D-Sub-Hood

Features:

- Available in sizes 9-15-25-37
- 360° EMI Shielding
- Quick assembly
- Supports all types of cables
- Suitable for any common D-Sub connector

Size MHDM35	Dim A	Dim B	Dim C
9-way	43,0	32,0	15,5
15-way	43,0	40,4	15,5
25-way	48,0	54,0	15,5
37-way	53,0	70,5	15,5

Ordering information:**Class 3 D-Sub Connector Kits (100 inserts min.)**

Size:	P/N - Kitted:	Product Code - MALE Conn. Kit
9-way	6355-0007-01	MHDM35-09-DBP-K
15-way	6355-0007-02	MHDM35-15-DBP-K
25-way	6355-0007-03	MHDM35-25-DBP-K
37-way	6355-0007-04	MHDM35-37-DBP-K

Ordering information:**Class 1 D-Sub Connector Kits (500 inserts min.)**

Size:	P/N - Kitted:	Product Code - MALE Conn. Kit
9-way	6355-0008-01	MHDM35-09-DMP-K
15-way	6355-0008-02	MHDM35-15-DMP-K
25-way	6355-0008-03	MHDM35-25-DMP-K
37-way	6355-0008-04	MHDM35-37-DMP-K

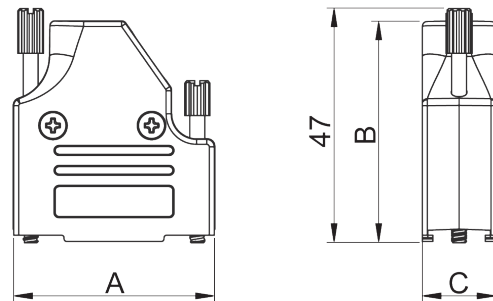
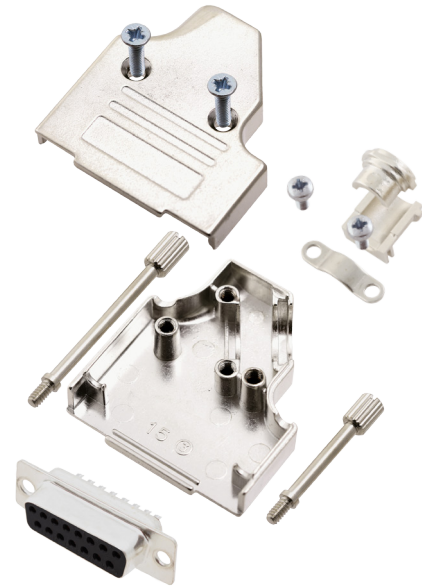
TECHNICAL SPECIFICATIONS

D-Sub Hood:

Material: Zinc, Nickel Plated
 Operating Temperature: -40°C to +120°C
 Cable Entry: Side Entry 35°
 Thumbscrews: UNC 4-40 (Standard)
 Cable O.D: Up to 13mm

Female D-Sub Solder Cup:

Insulator: PBT, Black, UL94 V-0
 Shell: Steel, Tin Plated
 Contact pins: Copper Alloy
 Stamped & Formed Pins: Class 3, 100 inserts min.
 Machined Contact Pins: Class 1, 500 inserts min.
 Contact Plating: Selective Gold over Nickel
 Operating Temperature: -55°C to +105°C
 Withstanding voltage: 1000V for 1 minute
 Insulator resistance: 1000MΩ min
 Insulator resistance: 1000MΩ min



D-Sub-Hood

Features:

- Available in sizes 9-15-25-37
- 360° EMI Shielding
- Quick assembly
- Supports all types of cables
- Suitable for any common D-Sub connector

Size MHDM35	Dim A	Dim B	Dim C
9-way	43,0	32,0	15,5
15-way	43,0	40,4	15,5
25-way	48,0	54,0	15,5
37-way	53,0	70,5	15,5

Ordering information:

Class 3 D-Sub Connector Kits (100 inserts min.)

Size:	P/N - Kitted:	Product Code - FEMALE Conn. Kit
9-way	6355-0007-11	MHDM35-09-DBS-K
15-way	6355-0007-12	MHDM35-15-DBS-K
25-way	6355-0007-13	MHDM35-25-DBS-K
37-way	6355-0007-14	MHDM35-37-DBS-K

Ordering information:

Class 1 D-Sub Connector Kits (500 inserts min.)

Size:	P/N - Kitted:	Product Code - FEMALE Conn. Kit
9-way	6355-0008-11	MHDM35-09-DMS-K
15-way	6355-0008-12	MHDM35-15-DMS-K
25-way	6355-0008-13	MHDM35-25-DMS-K
37-way	6355-0008-14	MHDM35-37-DMS-K