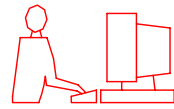
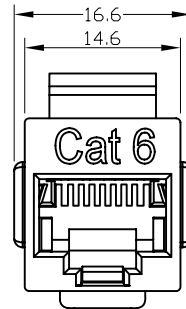
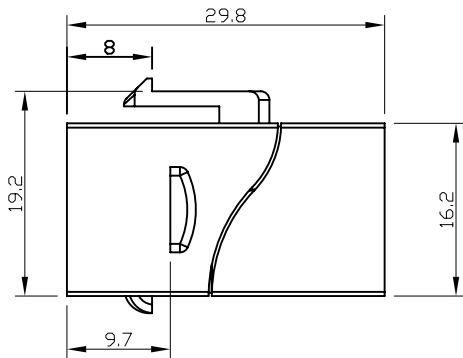
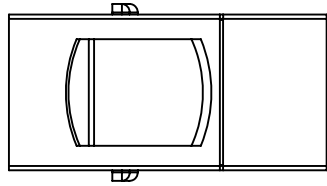


THIS IS A C.A.D. GENERATED DRAWING
DO NOT MAKE MANUAL REVISIONS TO MASTER.



* UNLESS OTHERWISE SPECIFIED TOLERANCES
ON DECIMAL IS: ANGLE ± 1°
UNIT: MM .XX ± 0.35



Electrical specification:

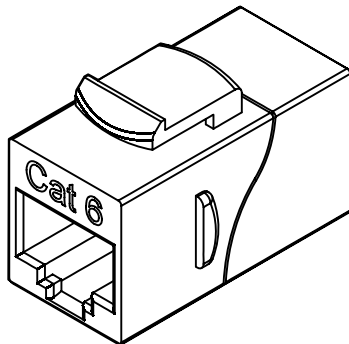
Insulation resistance: 500MΩ
Dielectric withstanding voltage: 1000V AC
DC current rating: 1.5A
DC resistance: 0.1Ω
Contact resistance: 20mΩ

Physical specification:

Coupler housing: polycarbonate resin high - impact UL94V-0 Thermoplastic
Contact holder: ABS high - impact UL94V-0 Thermoplastic
Spring wire: phosphor bronze 5100W temper wire, Ø=0.45mm, 3U AU / 30U PDNI over 60U nickel undercoat
Insertion life: 750 mating cycles with standard compliant RJ45 plug
Operating temperature: -10°C to 60°C
Storage temperature range: -40°C to 68°C
Humidity: 10%~90%RH

Standard Verification:

ANSI/TIA-568-B.2-1 channel compliant
ISO/IEC 11801 Class E channel compliant
ISO/IEC 60603-7, UL 1863



THESE DRAWINGS AND SPECIFICATIONS ARE THE PROPERTY OF MH CONNECTORS LTD. AND SHALL NOT BE REPRODUCED, COPIED OR USED AS THE BASIS FOR THE MANUFACTURE OR SALE OF APPARATUS WITHOUT WRITTEN PERMISSION.		DRAWN Johnny	DATE 09-18-12
		APPROVED	DATE
RJ45 UNSHIELDED COUPLER PANEL MOUNTED CAT6 OFFSET PIN BLACK.	SCALE	SHEET OF 1 OF 1	REV: 1.0
	DRAWING No 39-763631142		



THIS SERIES FULLY CONFORMS TO THE
EUROPEAN UNION DIRECTIVES 2002/95/EC
AND 2002/96/EC FOR RoHS COMPLIANCY.

