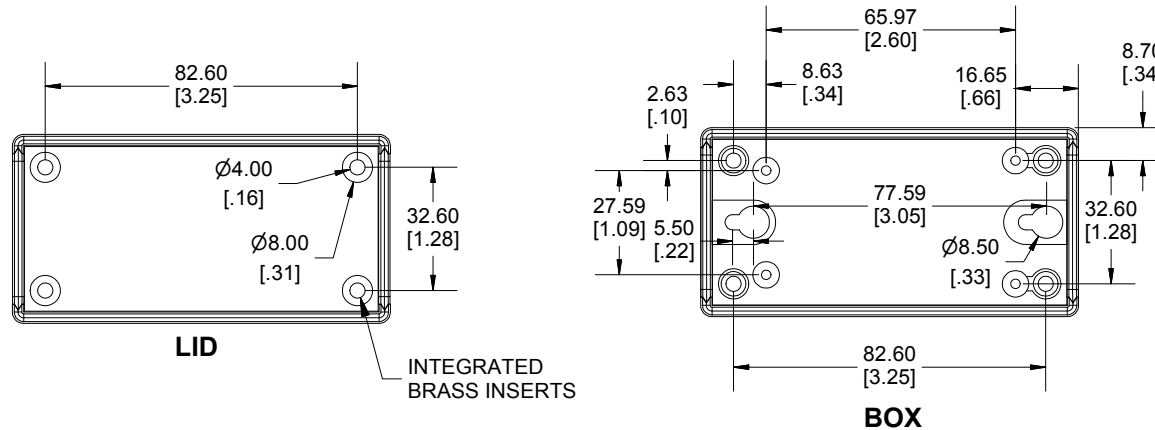
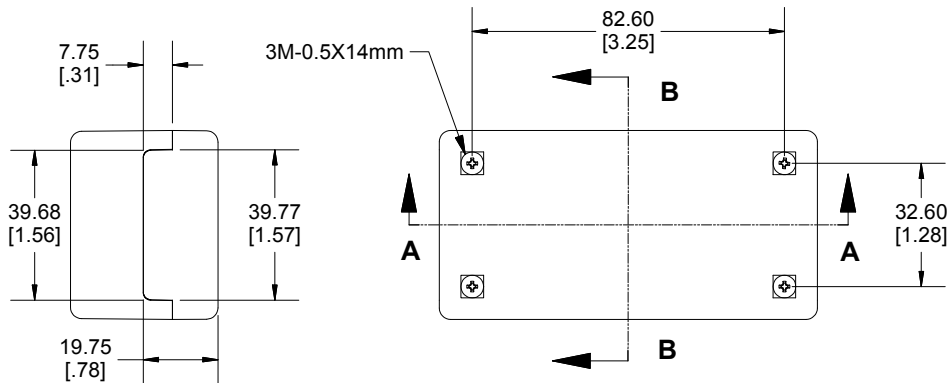
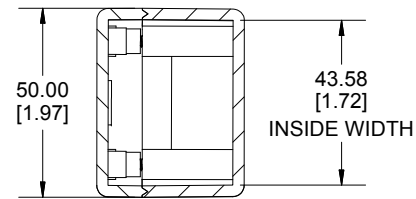


**SECTION B-B
END VIEW**



Enclosures can be Factory Modified (Milling, Drilling, Printing etc.)
 Contact Factory mjm@hammondmfg.com for quotes
 Solid models of this enclosure available in STEP or IGES.

NOTE
Purchased assembly includes box, lid, 4 cover screws, and 4 P.C. board screws.
Recommended Cover Screw Torque -- 2.5 lbf-in (30 cN-m)

MB1050	
MB1050 Regular Enclosure	
Lid smooth light gray (RAL 7035)	MB105040
Bottom smooth dark gray (RAL 7012)	

**HAMMOND
MANUFACTURING™**

MB105040

www.hammondmfg.com

Dimensions:
 mm
 [inches]