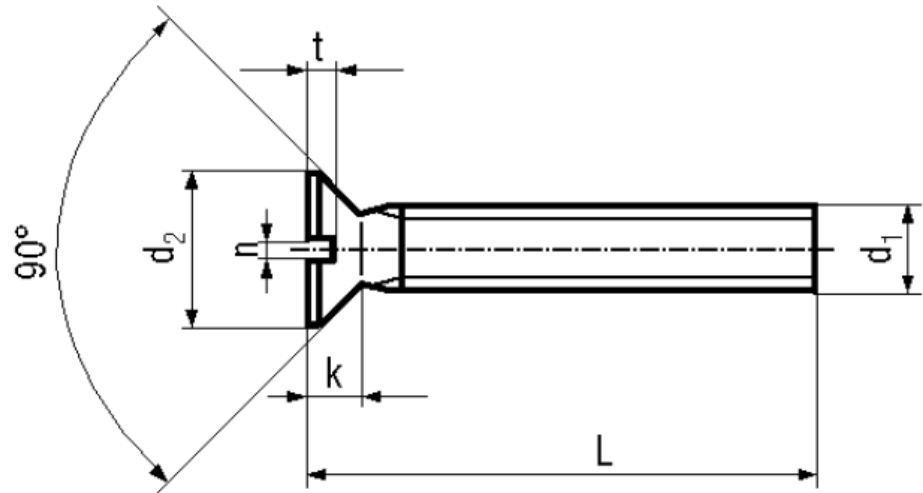


BN 1066

Slotted flat countersunk head screws

-DIN 963 A
-ISO 2009
-UNI 6109



Material	Polyamide 6.6	Quality	PA 6.6
Color	white		

Article No. - 1403214

d ₁	M5
L	10
d ₂	9,2
k	2,5
n	1,2
t	1

DIN 963: Standard withdrawn