

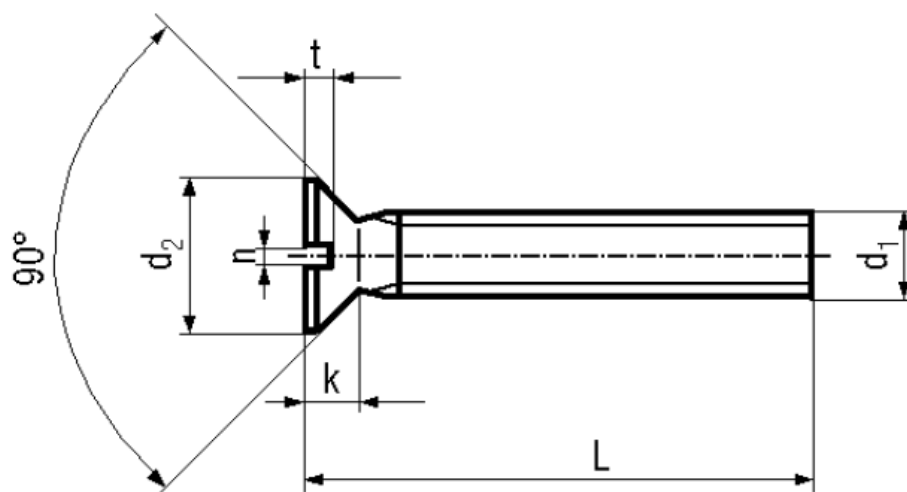
## BN 1066

Slotted flat countersunk head screws

~DIN 963 A

~ISO 2009

~UNI 6109



Material	Polyamide 6.6	Quality	PA 6.6
Color	white		

### Article No. - 1402994

d <sub>1</sub>	M3
L	6
d <sub>2</sub>	5,6
k	1,65
n	0,8
t	0,6

DIN 963: Standard withdrawn