

MEGA® FUSE RATED 32V



Specifications

Interrupting Rating:	2000A @ 32 VDC
Voltage Rating:	32 VDC
Operating Temperature Range:	-40°C to + 125°C
Housing:	PPA (33%/35% GF)
Terminals:	Copper (Silver plated copper available) M6 or M8 bolts available
Mounting Torque:	8-14 Nm M6 12-18 Nm M8
Complies with:	ISO 8820-5

Ordering Information

Part Number	Package Size	Plating	Bolt Size	Rating
0298xxx.ZXH	500	none	M8	300 - 500
0298xxx.ZXEH	500	none	M8	80 - 250
0298xxx.ZXB	500	Ag	M8	40 - 250
0298xxx.ZXA	500	none	M6	80 - 500

Time-Current Characteristics

% of Rating	Opening Time Min / Max (s)	
	40-250	300-500
75	- / -	14,400 s / -
100	14,400 s / -	- / -
135	120 s / 1800 s	- / -
200	1 s / 15 s	1 s / 15 s
350	0.300 s / 5 s	0.500 s / 5 s
600	0.100 s / 1 s	- / -

Description

The MEGA® Fuse is designed for high current circuit protection up to 500A with "Diffusion Pill Technology." The MEGA® Fuse also provides time delay characteristics. Designed and patented by Littelfuse, the MEGA® Fuse is ideal for battery and alternator protection application and other heavy gauge cables requiring ultra-high current protection.

Ratings

Part Number	Current Rating	Font Color	Typ. Voltage Drop	Cold Resistance	I2t
0298040._1	40 A	-	132 mV	2.510 mΩ	-
0298060._1	60 A	-	119 mV	1.504 mΩ	-
0298080._	80 A	Red	87 mV	0.720 mΩ	-
0298100._	100 A	Yellow	87 mV	0.562 mΩ	31100 A²s
0298125._	125 A	Green	80 mV	0.423 mΩ	57800 A²s
0298150._	150 A	Orange	92 mV	0.352 mΩ	100000 A²s
0298175._	175 A	White	86 mV	0.294 mΩ	168000 A²s
0298200._	200 A	Blue	83 mV	0.257 mΩ	204000 A²s
0298225._	225 A	Brown	82 mV	0.222 mΩ	257000 A²s
0298250._	250 A	Pink	82 mV	0.201 mΩ	389000 A²s
0298300._2	300 A	Grey	74 mV**	0.167 mΩ	-
0298350._2	350 A	Dark Green	68 mV**	0.138 mΩ	-
0298400._2	400 A	Purple	64 mV**	0.126 mΩ	-
0298450._2	450 A	Yellow-Green	60 mV**	0.112 mΩ	-
0298500._2	500 A	Brown	58 mV**	0.092 mΩ	-

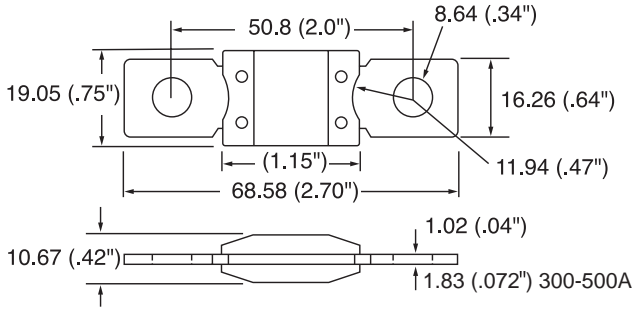
Note 1: Not mentioned in ISO standards Note 2: Short Circuit Protector only
 ** Voltage Drop measurements for short circuit protectors taken at 75% of rated current.

MEGA® FUSE RATED 32V

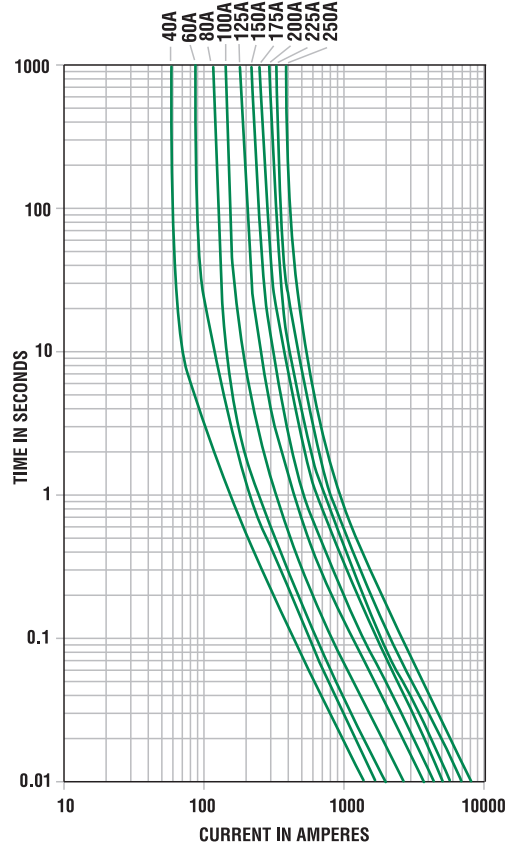
RoHS

Dimensions

Dimensions in mm



Time-Current Characteristic Curves



Temperature Rerating Curve

