



Ordering number CN12715_LENA-S

Family	Lena	FWHM	15 degrees
Type	Reflector	Efficiency	84 %
LED	CLL040	cd/lm	5.250
Color	Metal	Gerber File	Available
Diameter	111 mm		
Height	86.3 mm		
Style	Round		
Optic Material	PC		
Holder Material	PC		
Fastening	Screw		
Status	Ready		



Ordering number CN12721_LENA-S-DL

Family	Lena	FWHM	16 degrees
Type	Reflector	Efficiency	79 %
LED	CLL040	cd/lm	3.820
Color	Metal	Gerber File	Available
Diameter	111 mm		
Height	87.6 mm		
Style	Round		
Optic Material	PC		
Holder Material	PC		
Fastening	Screw		
Status	Ready		



Ordering number CN12716_LENA-M

Family	Lena	FWHM	23 degrees
Type	Reflector	Efficiency	82 %
LED	CLL040	cd/lm	3.380
Color	Metal	Gerber File	Available
Diameter	111 mm		
Height	86.3 mm		
Style	Round		
Optic Material	PC		
Holder Material	PC		
Fastening	Screw		
Status	Ready		



Ordering number CN12722_LENA-M-DL

Family	Lena	FWHM	24 degrees
Type	Reflector	Efficiency	77 %
LED	CLL040	cd/lm	2.670
Color	Metal	Gerber File	Available
Diameter	111 mm		
Height	87.6 mm		
Style	Round		
Optic Material	PC		
Holder Material	PC		
Fastening	Screw		
Status	Ready		



Ordering number CN12717_LENA-W

Family	Lena	FWHM	46 degrees
Type	Reflector	Efficiency	81 %
LED	CLL040	cd/lm	1.240
Color	Metal	Gerber File	Available
Diameter	111 mm		
Height	86.3 mm		
Style	Round		
Optic Material	PC		
Holder Material	PC		
Fastening	Screw		
Status	Ready		



Ordering number CN12723_LENA-W-DL

Family	Lena	FWHM	46 degrees
Type	Reflector	Efficiency	76 %
LED	CLL040	cd/lm	1.090
Color	Metal	Gerber File	Available
Diameter	111 mm		
Height	87.6 mm		
Style	Round		
Optic Material	PC		
Holder Material	PC		
Fastening	Screw		
Status	Ready		

NOTE: The typical divergence will be changed by different color, chip size and chip position tolerance. The typical total divergence is the full angle measured where the luminous intensity is half of the peak value.



PRODUCT DATASHEET

Lena series

last update 5/7/2012

CITIZEN

GENERAL INFORMATION

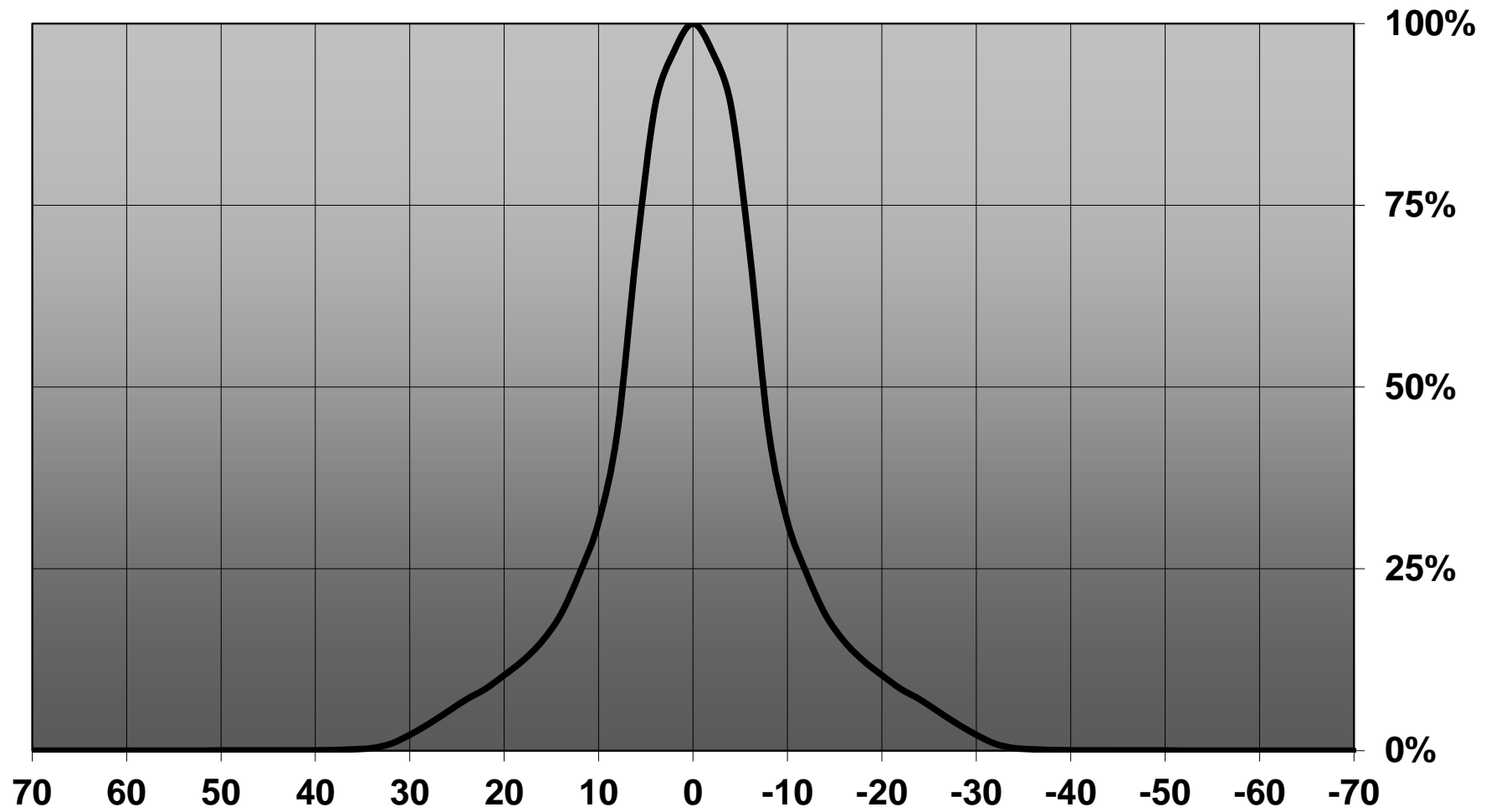
- Product series especially designed & optimized for CLL040 series of LEDs.
- Special care taken to make light distribution as uniform as possible.
- Lens material optical grade PC with high UV and temperature resistance (120 degrees of Celcius / 248 degrees of Fahrenheit). Allows use of high current and temperature conditions.

Please find more information about used materials from below:

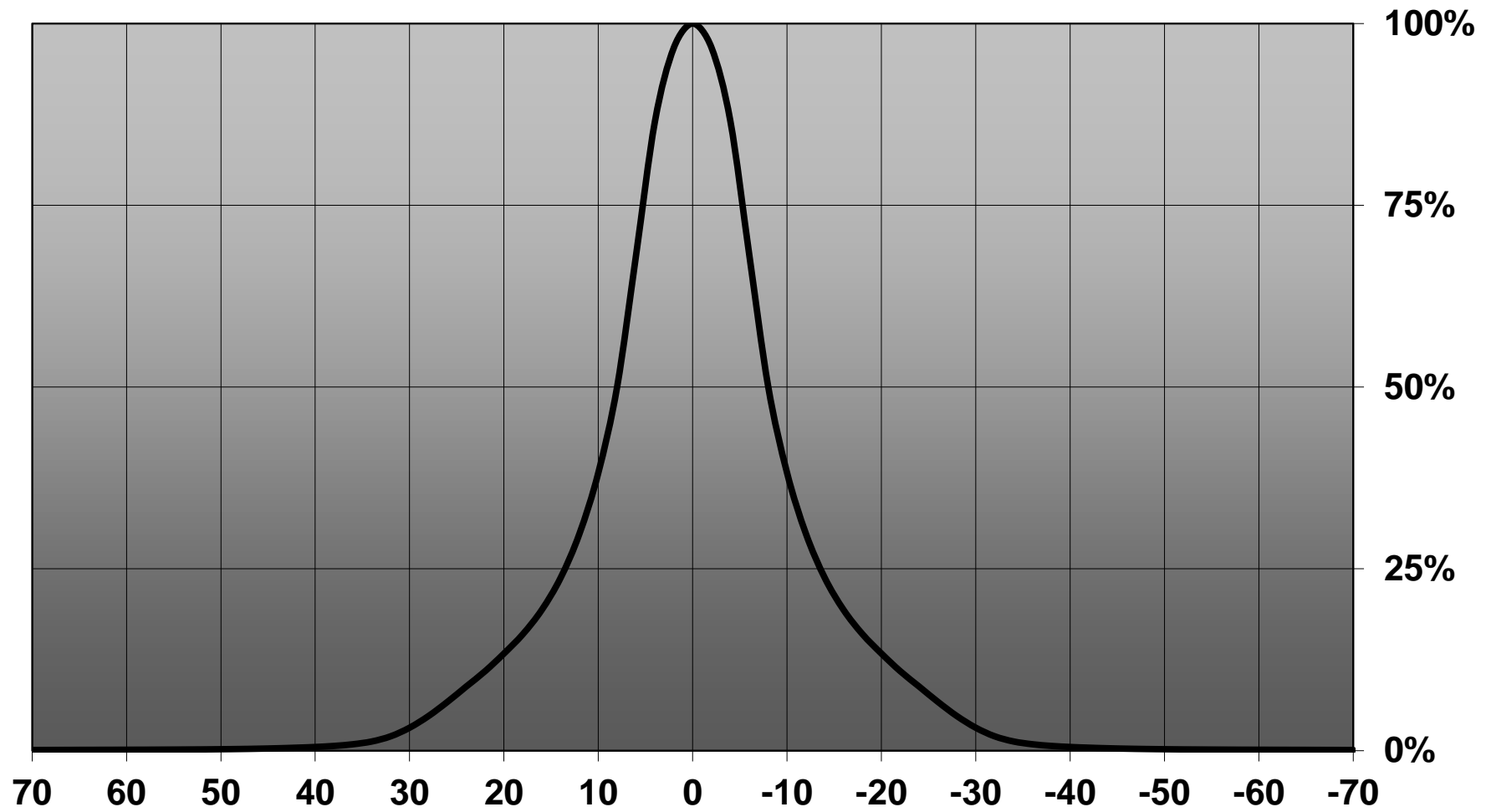
http://ledil.fi/sites/default/files/Documents/Technical/Material/PC%20Makrolon%202400_2407_2456_2458-UL.pdf

- Reflector is made of aluminium coated PC (120 degrees of Celcius / 248 degrees of Fahrenheit) with protective lacquer (110 degrees of Celcius / 230 degrees of Fahrenheit).
- Optic holder molded by high quality PC material (120 degees of Celcius / 248 degrees of Fahrenheit).

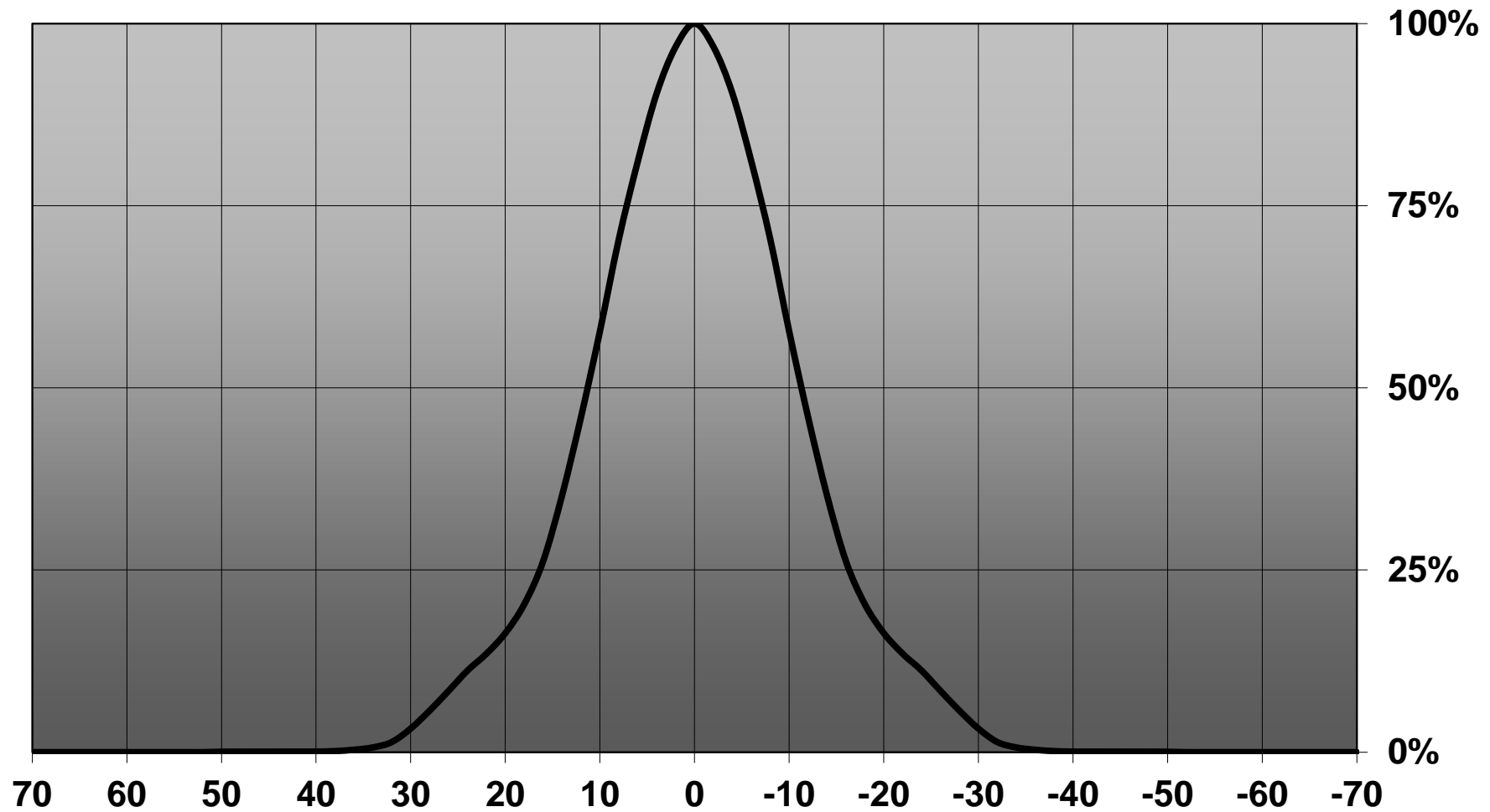
Relative intensity of CN12715_LENA-S_(CLL040)



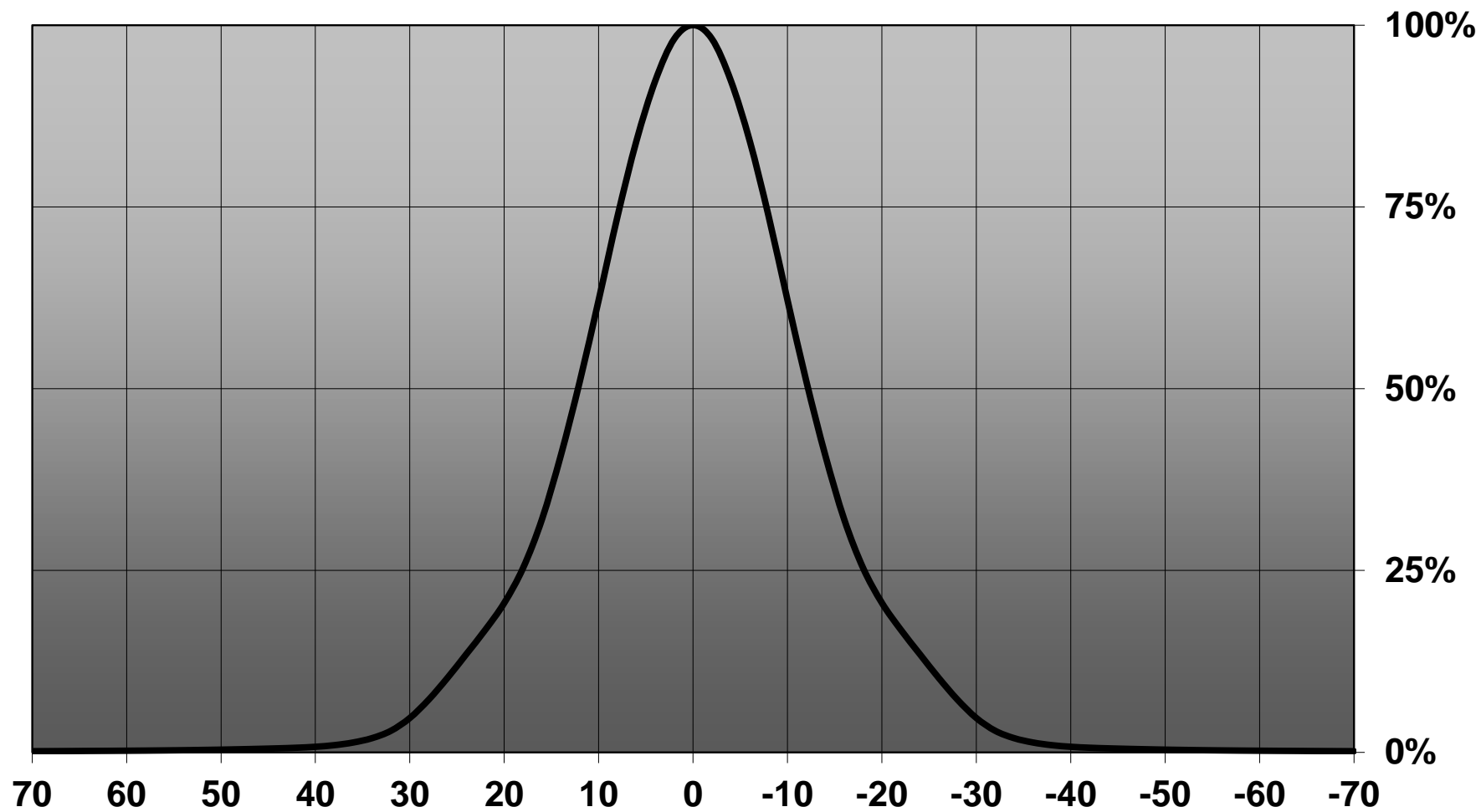
Relative intensity of CN12721_LENA-S-DL_(CLL040)



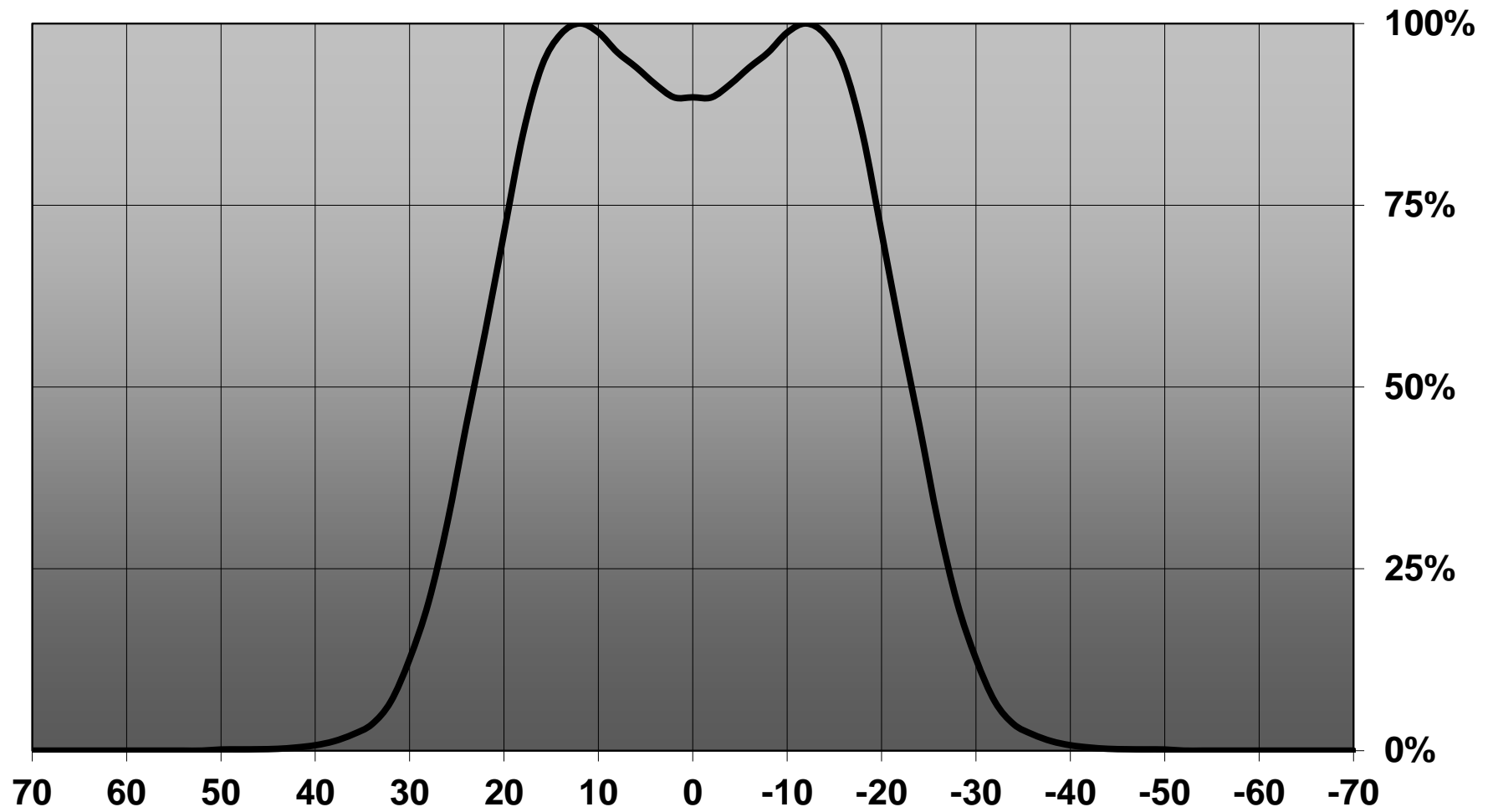
Relative intensity of CN12716_LENA-M_(CLL040)



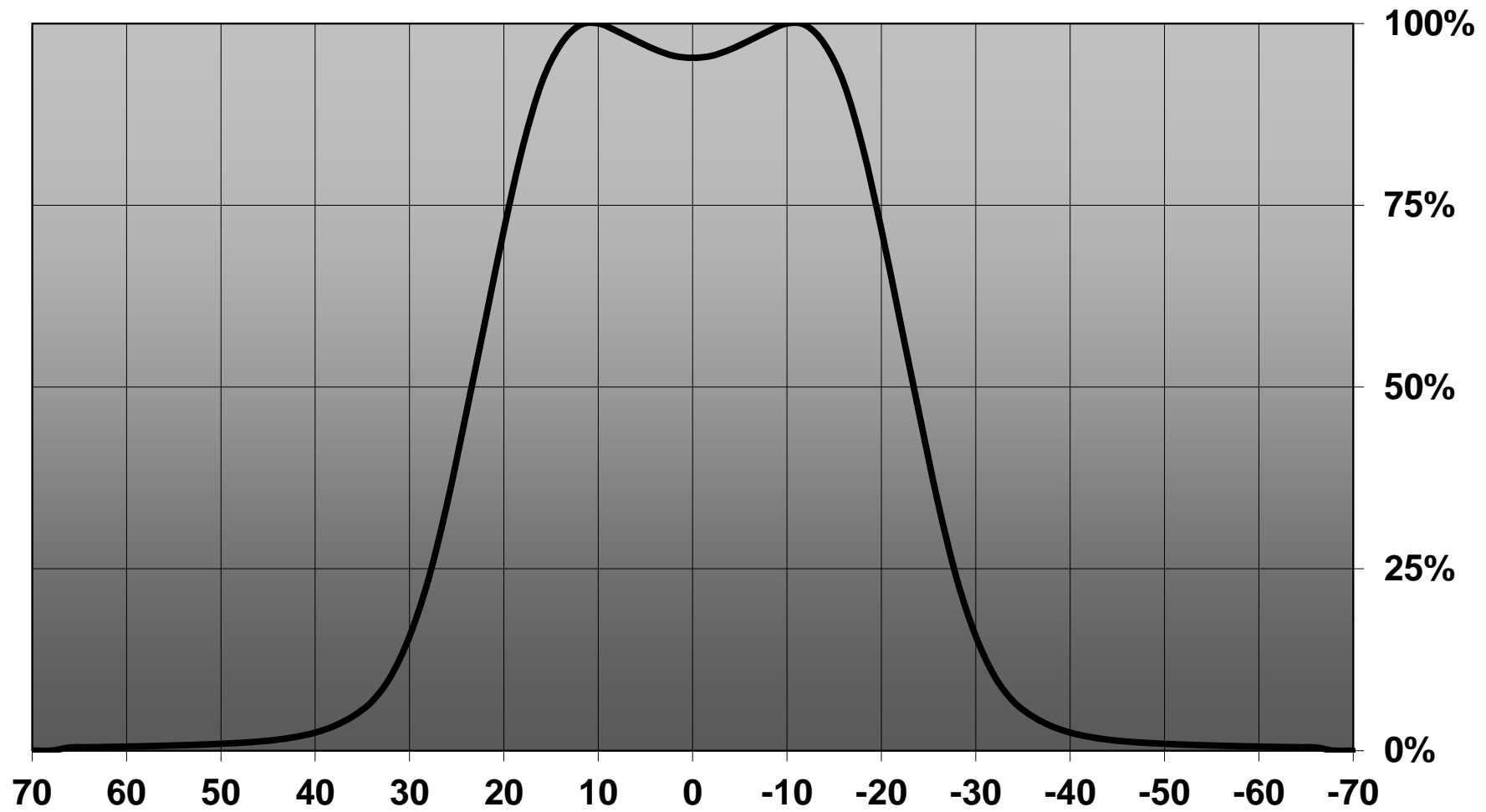
Relative intensity of CN12722_LENA-M-DL_(CLL040)



Relative intensity of CN12717_LENA-W_(CLL040)

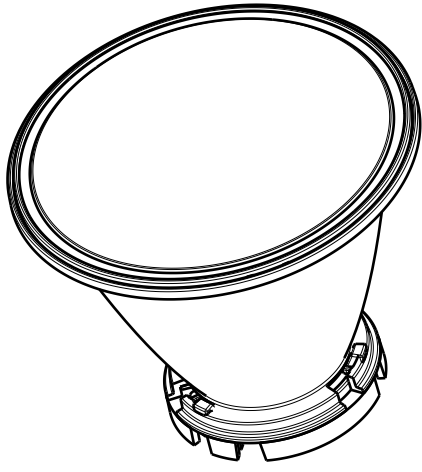


Relative intensity of CN12723_LENA-W-DL_(CLL040)

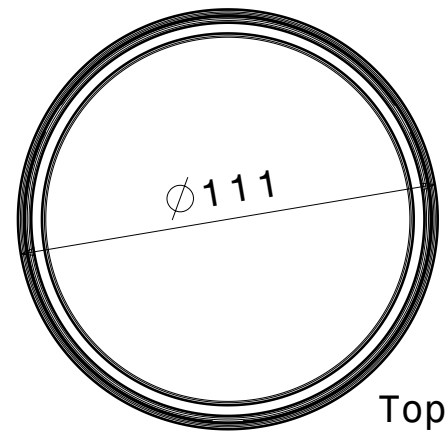


D C B A

4



Isometric view

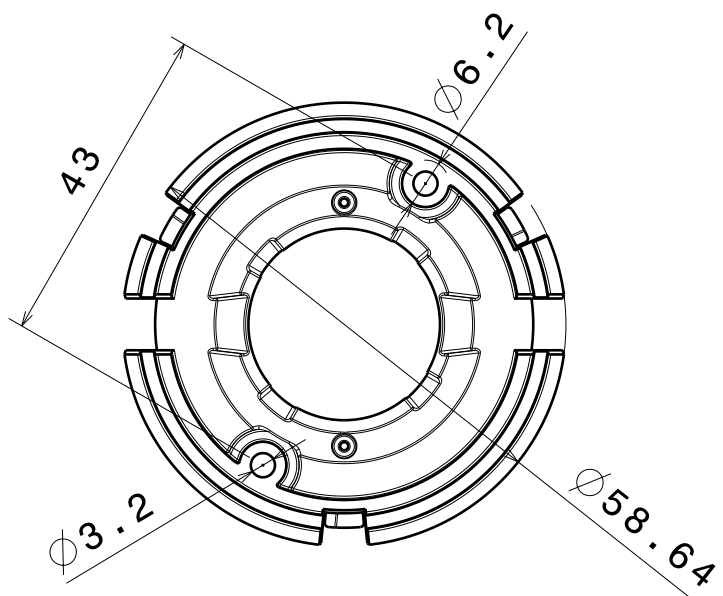


Ø111

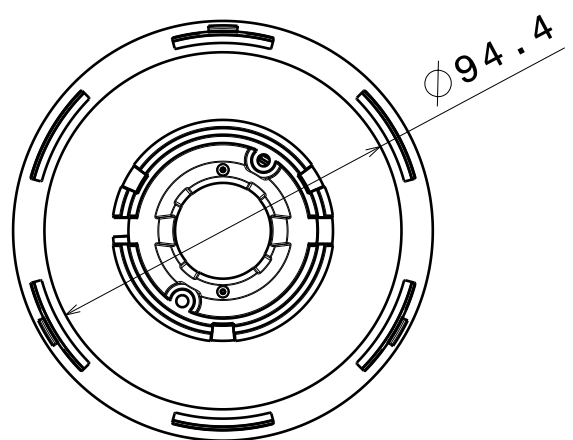
Top view

4

3



Base part
Scale: 1:1



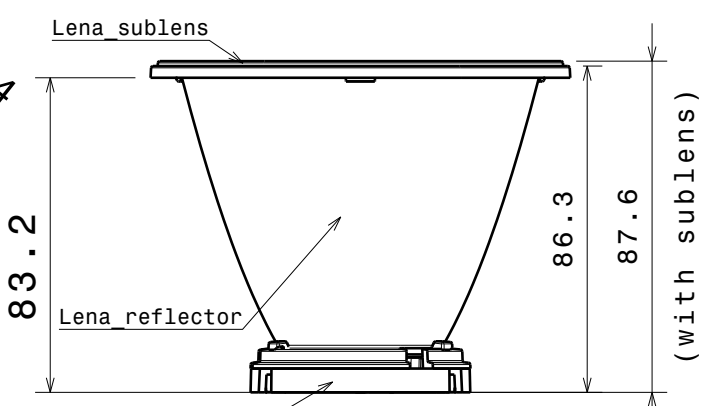
Ø94.4

Bottom view

3

2

Material:
Sublens
-PMMA
Reflector:
-PC
-Metal coating and clear lacquer
Holder base:
-PC
-Color: white



Lena-STD-Base CLL040

Front view

2

This drawing is our property. It can't be reproduced or communicated without our written agreement.



Ledil Oy
Salorankatu 10
FIN 24240 SALO
Finland

DRAWING TITLE
Datasheet Lena-CLL040 series assy

DRAWN BY
as
DATE
10.04.2012

CHECKED BY
xx
DATE
xx.xx.2012

DESIGNED BY
xx
DATE
xx.xx.20xx

SIZE A4 **DRAWING NUMBER** **REV** 1

SCALE 1:2 **WEIGHT (g)** **SHEET** 1/1

1

1

D

A