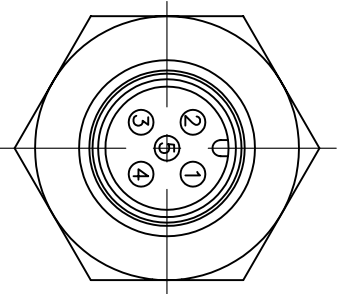
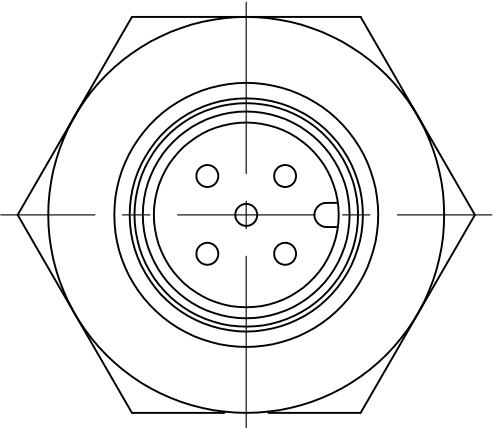
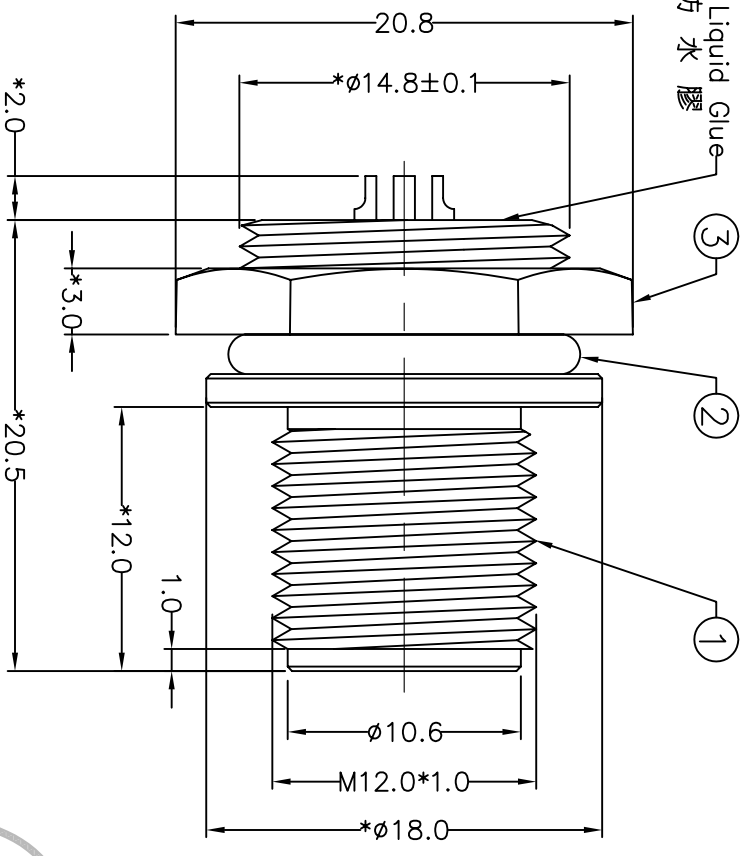
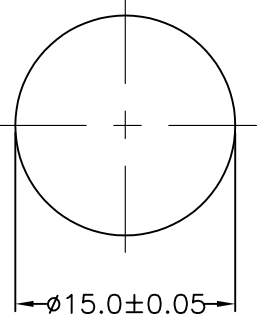


④ With Liquid Glue
點防水膠



PIN ASSIGNMENTS
FRONT VIEW 前視圖



RECOMMENDED
PANEL CUT-OUT



Notes:
* Important Dimension To Check.
(* 為重點檢驗尺寸)

4	Liquid Glue		1	LIQ-002
3	Nut	Nylon+30%GF	1	ANB277XXX01
2	Ring	EPDM	1	DDR0019EP70
1	Connector	M12 5Pin Male,Nylon+GF	1	ZTM214C0501
NO.	NAME	COLOR	SPECIFICATION	QTY
				NOTE

UNIT: mm		TITLE	M12.0 5Pin Male Sensor Connector
TOLERANCE		SCALE	3:1
.XX	±0.25	SHEET	1
.XXX	±0.1	OF	1
ANGLES	±1	SIZE	A4
REV.	A	DATE	

LTW
亮泰企業股份有限公司

ITEM NO	LTWM12P-05PMMMS-SC	DRAWN BY	XIAO WEI XIE	DATE	2004/02/07
DWG NO	LTWM12P-05PMMMS-SC	CHECKED BY	龍 向 和	DATE	2004/09/21
CUSTOMER		APPROVED BY	席 武 濤	DATE	2004/09/21