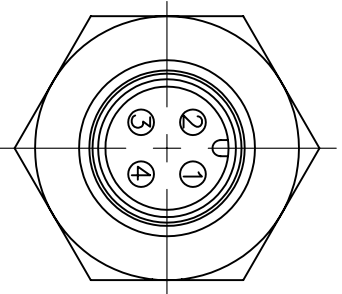
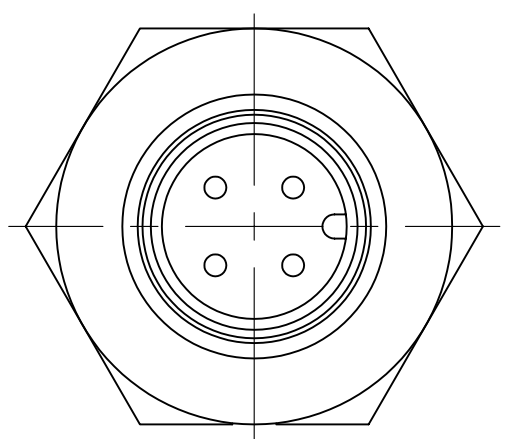
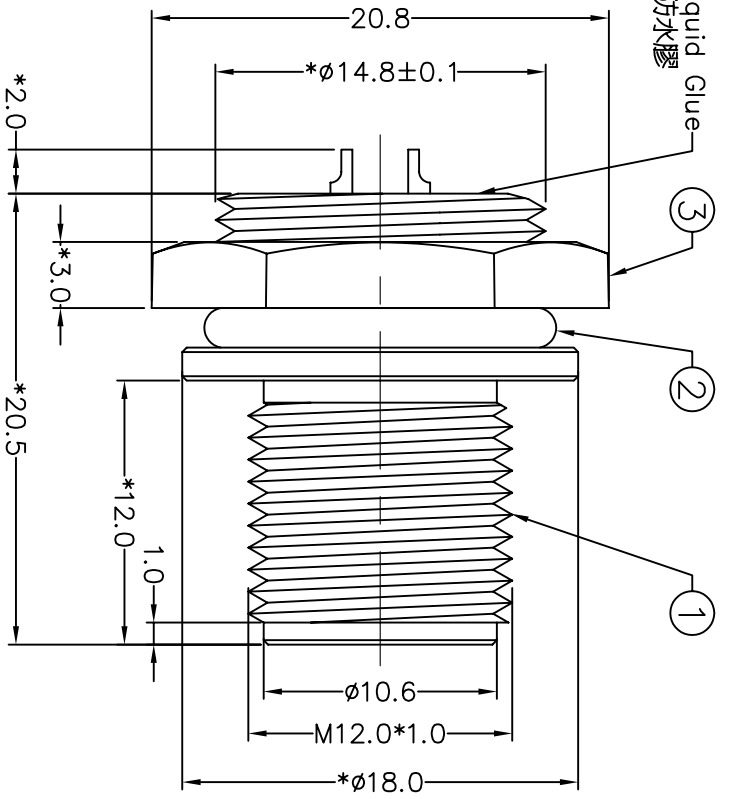
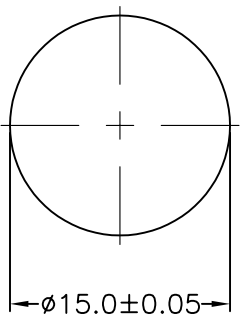


④ With Liquid Glue
點防水膠



PIN ASSIGNMENTS
FRONT VIEW 前視圖



RECOMMENDED
PANEL CUT-OUT



Notes:
* Important Dimension To Check.
(* 為重點檢驗尺寸)

4	Liquid Glue		1	LIQ-002
3	Nut	Nylon+30%GF	1	ANB277XXX01
2	Ring	Black EPDM	1	DDR0019EP70
1	Connector	M12 4Pin Male,Nylon+GF	1	ZTM214C0401

UNIT: mm	TOLERANCE	SCALE	REV.	A	DATE	SHEET	1	OF	1	SIZE	A4
	±0.25	M12.0 4Pin Male Sensor Connector	3:1								
	±0.1										
	±0.05										
	±1										

亮泰企業股份有限公司

ITEM NO	LTW/M12P-04PMMS-SC	DRAWN BY	LUKE	DATE	2003/11/11
DWG NO	LTW/M12P-04PMMS-SC	CHECKED BY	龍向和	DATE	2004/09/21
CUSTOMER		APPROVED BY	席武濤	DATE	2004/09/21