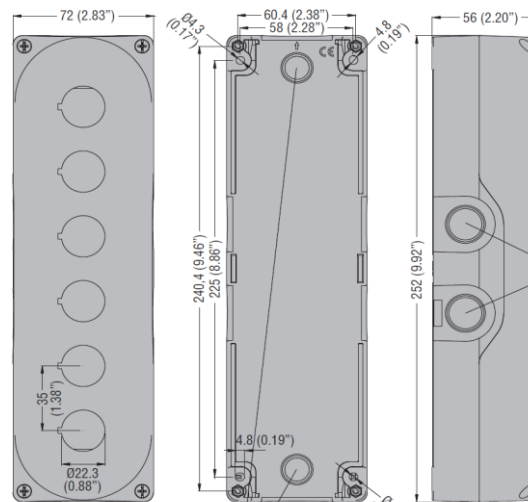
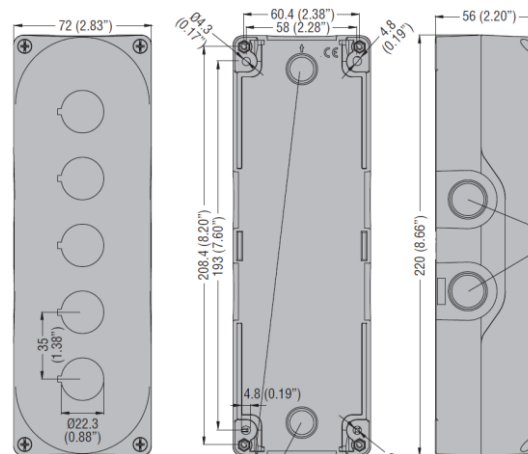
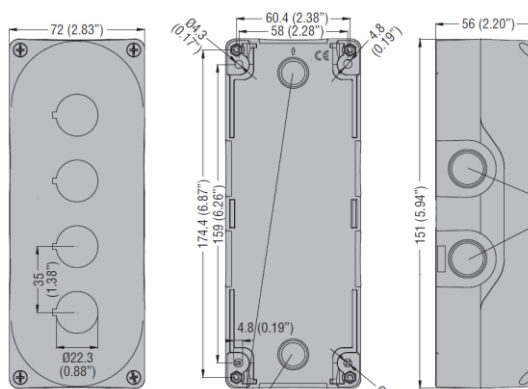
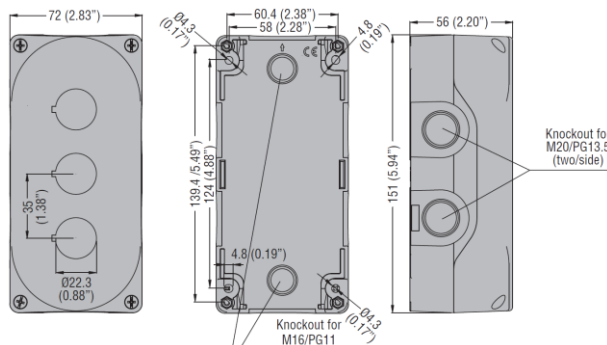
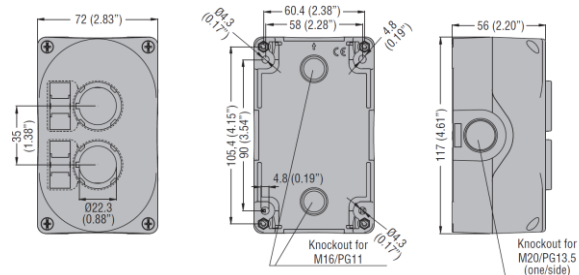
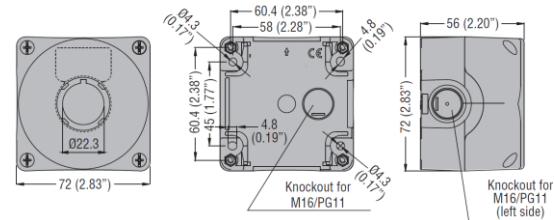


## Control stations PLatinum series

Order code	Description	Cover colour
LPZ P1 A5	For 1 actuator	Yellow
LPZ P1 A8	For 1 actuator	Grey
LPZ P2 A8	For 2 actuators	Grey
LPZ P3 A8	For 3 actuators	Grey
LPZ P4 A8	For 4 actuators	Grey
LPZ P5 A8	For 5 actuators	Grey
LPZ P6 A8	For 6 actuators	Grey



LPZ P1 A5



LPZ P3 A8

### General characteristics

#### CONTROL STATIONS WITHOUT ACTUATOR

- 1 to 6 cutouts
- Compact dimensions
- Easy wiring for base-mount contacts and lamp holders (see the following page); possible use of screw and spring-clamp terminal contacts or lamp holders on the inside surface of the cover using LPX AU120 mounting adapter
- Numerous cable entries.

#### CONTROL STATIONS WITH ACTUATOR

Standard supplied with actuator, label holder, STOP legend label, excluding types with yellow cover, and one base-mount NC contact.

#### Operational characteristics

- Cable entry:
  - LPZ P1... knockouts:
    - M16/PG11 (1 at rear and 1 on left side)
    - M20/M25/PG13.5/M20 (1 on top and 1 at bottom)
  - LPZ P2 A8 knockouts:
    - M16/PG11 (2 at rear)
    - M20/PG13.5 (1 on each side)
    - M20/M25/PG13.5/M20 (1 on top and 1 at bottom)
  - LPZ P3/P4/P5/P6 A8 knockouts:
    - M16/PG11 (2 at rear)
    - M20/PG13.5 (2 on each side)
    - M20/M25/PG13.5/M20 (1 on top and 1 at bottom)
- Any mounting position is allowed.
- Tightening torque of cover screws:  $T_{max}$ : 1.6Nm/14lbin
- Ambient conditions:
  - Operating temperature: -25...+70°C
  - Storage temperature: -40...+85°C
- Degree of protection:
  - Per IEC/EN: IP66, IP67 and IP69K
  - Per UL/CSA: Type 1, 2, 3R, 4 4X, 12, 12K.

#### Materials

Polycarbonate.

#### Certifications and compliance

Certifications pending completion: cULus, CCC, RINA, GOST.

Compliant with standards: IEC/EN 60947-1, IEC/EN 60947-5-1, UL508A for types without actuators / UL508 for types complete with actuator, CSA C22.2 n° 14.