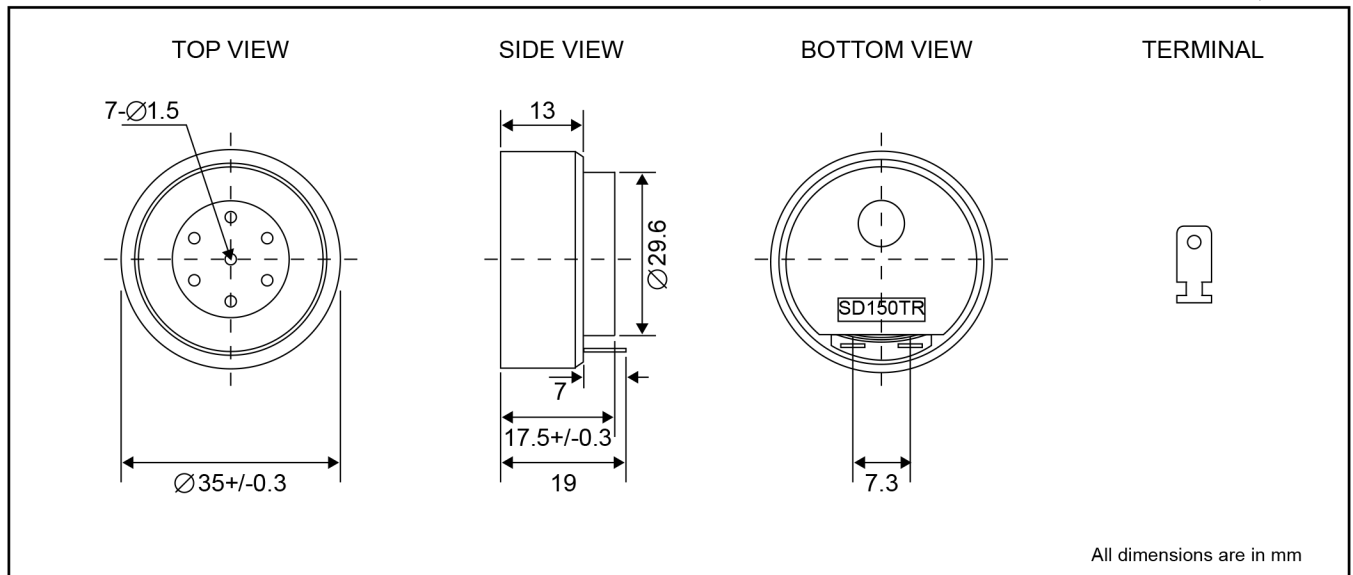


Dynamic Receiver SD150T series



DIMENSIONS

Date : 04 Feb.,2015



Ref. no. : HSE007-R



ELECTRICAL SPECIFICATIONS

Model No.	LD-DR-3519
Sensitivity At 1 KHz (IEC318 Coupler)	95 +/- 3 dB
Input Power At 1 KHz	60 mV
Frequency Range	300 ~ 3400 Hz
AC. Impedance At 1 KHz	150 Ohm +/- 20%
HAC Compatible	No
Terminal	Plate
Housing Material	ABS + Metal
Colour	Black + Silver
Operating Temperature [°C]	-20 ~ +60
storage Temperature [°C]	-25 ~ +70
Weight [gm]	29