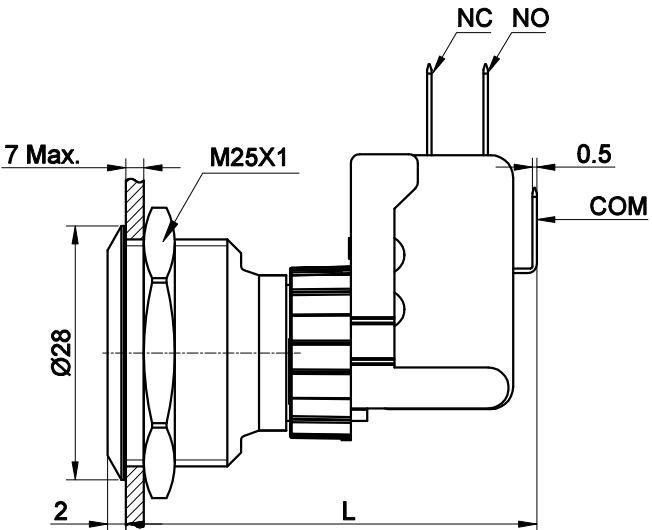
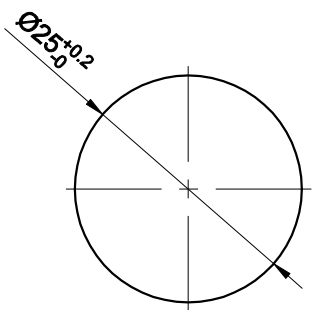
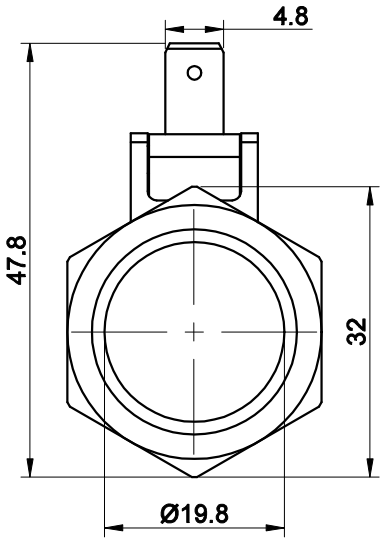


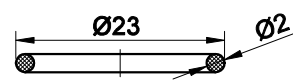
FOR 客户名称	APPROVED 客户确认签字	ATTN 销售负责人



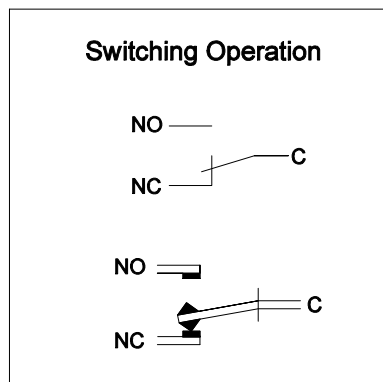
L: Momentary is 44.9
Latching is 51.2



PANEL CUTOUT
MAX.PANEL THICKNESS
7 mm



Seal Ring



SPECIFICATIONS:

- 1.Switch Rating: AC250V/10A, DC250V/0.3A.
 - 2.Electrical Life: ≥50,000cycles.
 - 3.Contact Resistance: ≤50mΩ.
 - 4.Insulation Resistance: ≥1,000MΩ.
 - 5.Dielectric Strength: 1,500V, RMS 50Hz, 1min.
 - 6.Operating Temperature: -25℃~ +55℃(No Freezing).
 - 7.Operating Force: About 4N.
 - 8.Operating Travel: About 2.5mm.
 - 9.Torque: About 0.6Nm max.applied to nut.
 - 10.IP Class: IP65,IP67(Momentary can made to order).
 - 11.Terminal Type: Pin Terminal(4.8 x 0.5mm).
 - 12.RoHS can made to order
- ★Counterclockwise rotating the Nut,will remove the parts of operation and switch.

MATERIALS:

- 1.Contact: Silver alloy.
- 2.Button: Stainless steel.
- 3.Body: Stainless steel.
- 4.Base: POM.

Part Number:LCA25-11■/S

"■"	Operation mode
No Letter	Momentary
Z	Latching

BRAND 品牌	ONPOW	红波按钮制造有限公司 ONPOW PUSH BUTTON MANUFACTURE CO.,LTD.	
USED 用途	ARE THE PROPERTY OF ONPOW PUSH BUTTON MANUFACTURE CO.,LTD. AND SHALL NOT BE REPRODUCED COPIED OR USED IN ANY MANNER WITHOUT THE PRIOR WRITTEN CONSENT OF ONPOW PUSH BUTTON MANUFACTURE CO.,LTD.	APPD 审核	CH 2019/06/24
FINISH 处理		CHKD 校对	NCH 2019/06/24
SCALE 比例	1.2 : 1	UNIT 单位	mm
		DR. 制图	HMJ 2019/06/24
DIMENSIONS	TOLERANCE	TITLE 名称	Anti-vandal push button
0.00 TO 18.00mm	±0.43mm	DWG NO. 图号	LCA25-11■/S
18.01 TO 30.00mm	±0.52mm	SIZE 图纸	A4
30.01 TO 50.00mm	±0.62mm	FILE NAME 档案名称	LCA25.DWG
50.01 TO 80.00mm	±0.74mm	SHEET 张	1 / 1
		REV. 更改	1