

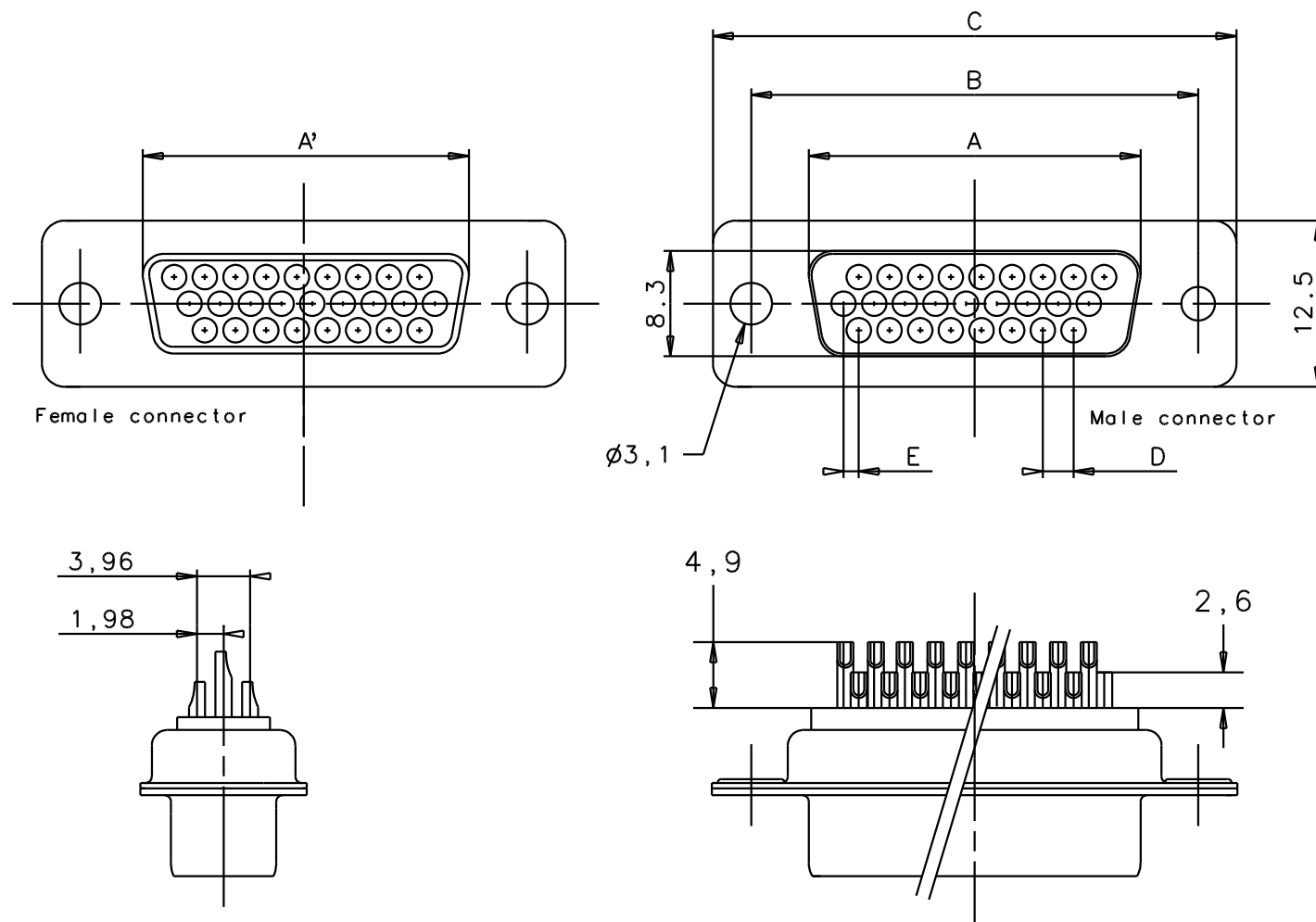
N CLIENT

N OUTIL

N ETUDE

17H-025

DATE DU TIRAGE

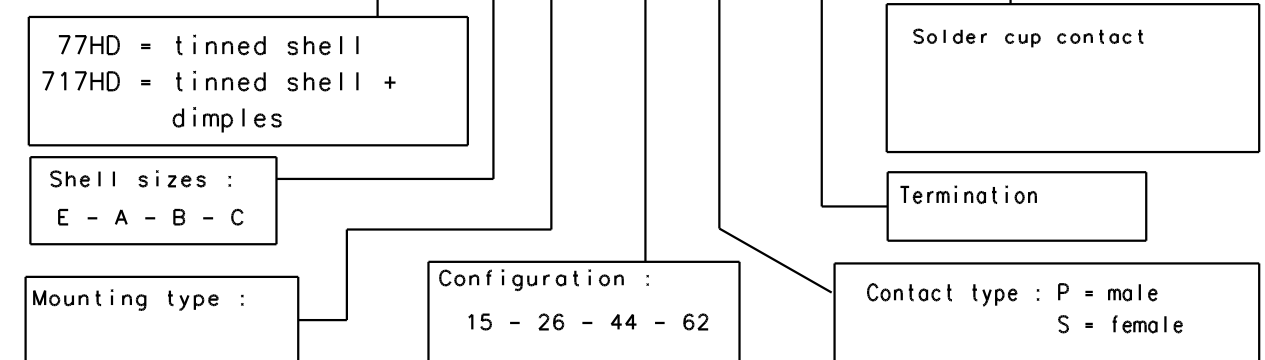


POSITION	A	A'	B	C	D	E
15H	16.92	16.4	25.00	30.80	2.29	1.145
26H	25.25	24.8	33.30	39.20	2.29	1.145
44H	38.96	38.5	47.10	53.10	2.29	1.145
62H	55.42	54.9	63.50	69.40	2.41	1.205

**TECHNICAL DATA**  
**D SUBMINIATURE CONNECTORS**

- SHELL : - Material = Steel  
- Finish = Tinned
- INSERT : - Material = Glass filled thermoplastic polyamide  
- Flame retardant to UL 94 V0.
- CONTACTS : - Material  
- for sockets : Bronze  
- for pins : Brass
- ELECTRICAL : - Voltage proof = 300 v Rms to 50 Hz.  
- Nominal current = 3 A.  
- Voltage proof = 700 v Rms to 50 Hz.  
- Contact resistance = < 10 m Ohms.  
- Insulator resistance = > 5000 M Ohms.
- CLIMATIC : - ( -55°C ; +125°C ).  
- Damp heat ( 21 days ) 40°C ; 95% RH.

**L 77HD \* \* \***



**Amphenol Socapex**  
Usine de Dole

A X Creation plan 09/12/99 Quere		Echelle : 1.5		PLAN NOTICE	DOSSIER : A X
IND.	MODIFICATION	DATE	Execut/Approb		
N SERIE		DESIGNATION		<b>L 77HD * * * *</b>	