

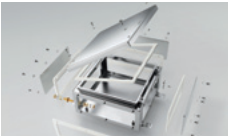


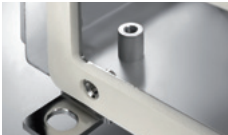














# Klippon® TB – Steel enclosures

Product information



# Klippon® TB – Steel enclosures

	<b>Introduction</b>	4		<b>Internal earth Point</b>	14
	<b>Klippon® TB – Main features at a glance</b>	5		<b>Welded mounting lugs</b>	15
	<b>Flexible Hinge Design</b>	6		<b>Internal Mounting Pillars</b>	16
	<b>Locking systems</b> Klippon® TB MH Klippon® TB QL	7		<b>Quality Seamless welding</b>	17
	<b>Internal Threaded Screw Sockets</b>	9		<b>Product identification</b>	17
	<b>Gland Plates</b>	10		<b>Klippon® TB MH – Multi Hinge</b> Technical data	18
	<b>Silicone Gaskets</b> (Compression Control)	11		<b>Klippon® TB QL – Quarter Lock</b> Technical data	44
	<b>Moisture / Dust Channel</b>	12		<b>Industry Segments</b>	70
	<b>Self-securing earth Stud</b>	13		<b>Weidmüller Service</b>	71

# Klippon® TB

The name Klippon® has long been a synonym for competence and quality with the supply of products designed to meet the demanding requirements of both industrial and harsh environments (including hazardous area locations). Klippon® is a brand name of the Weidmüller group of companies which maintains sales offices, production facilities and commercial agents in 70 countries worldwide.

Weidmüller began manufacturing enclosures back in the 1960s. We have been able to prove our reputation as a skilled and reliable partner on countless occasions. Since then, the Weidmüller name has stood for innovative products that meet even the most demanding market requirements.

Our experience has been incorporated in to the new design of the market-leading Klippon® TB range of enclosures. Designed to withstand the most demanding environmental conditions, the enclosures have been modernised in such a way that they comply with the latest international norms and standards and, together with an innovative and new product design, ensure enhanced product functionality.

## A new enclosure family – the key to market success!

On the basis of its innovative Klippon® enclosure standard, Weidmüller's user-friendly variants meet the requirements of customers and target markets.

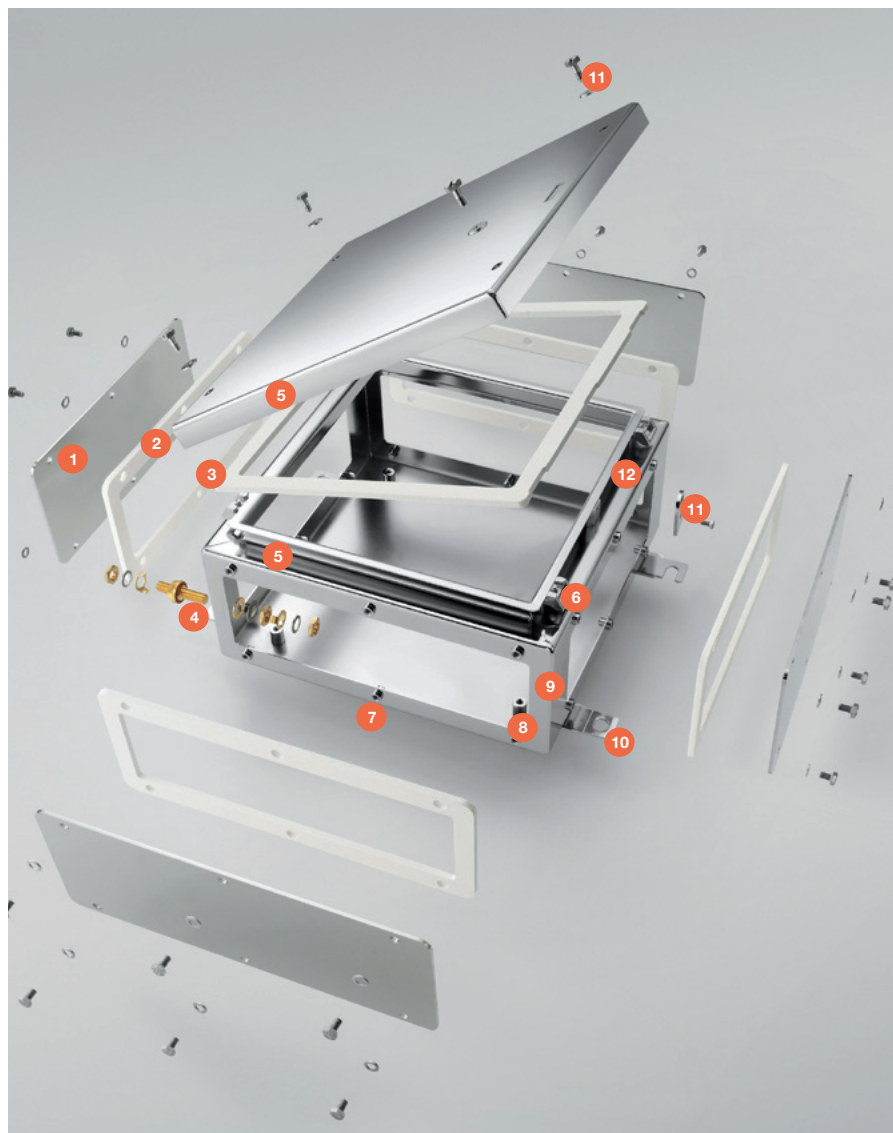
Weidmüller has developed two new standard product ranges: Klippon® TB MH (Multi Hinge) and Klippon® TB QL (Quarter Lock)

The modern production processes also enable a broad bandwidth of design options in order to adapt quickly to individual customer wishes. For example, document holders, label holders, locking options, rain hoods and many other accessories are available and can be fitted to the enclosures on request.

Since its introduction, the Klippon® TB range (formerly TB range) has become a leading product on the market and has always set the highest standards.



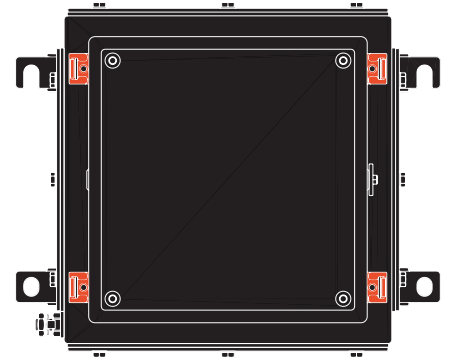
# Klippon® TB – Main features at a glance



- 1** Gland Plates
- 2** Silicone Gaskets
- 3** Internal earth point
- 4** Self-securing earth stud
- 5** Product identification
- 6** Flexible hinge design
- 7** Internal threaded screw sockets
- 8** Internal mounting pillars
- 9** Quality Seamless welding
- 10** Welded mounting lugs
- 11** Locking system
- 12** Moisture and Dust Channel

## Flexible Hinge Design

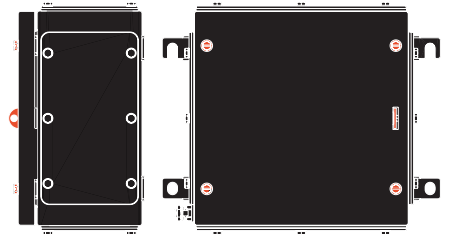
Dedicated hinges are welded to each side of the enclosures – Multi-Hinge. The Klippon® TB MH range therefore provides the flexibility to fit the cover onto either side of the enclosure. The hinge design features integrated height compensation which ensures the sealing performance between the cover and body of each enclosure resulting in improved compression control of the gasket.



## Locking systems

### Klippon® TB MH

The Klippon® TB MH range is secured by M6 hexagon slotted screws (10 mm). The screws are located outside of the sealing area and are fitted with captive washers on the cover. The Klippon® TB MH range of enclosures also provides the possibility to secure the enclosure on site by means of an optionally available stainless steel padlock (No. 0905680000). The padlock fixture can be fitted to either side of the enclosure or removed completely.



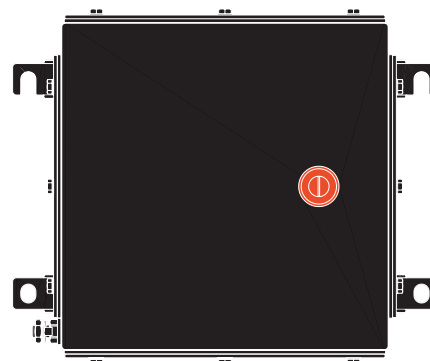


## Locking systems

### Klippon® TB QL

The Klippon® TB QL range of enclosures are supplied with a quarter-turn lock (tested to IP66 standard). The lock design features a slotted insert as standard.

Other lock inserts are available as option.

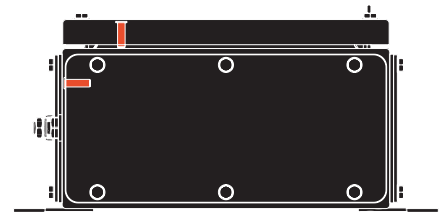
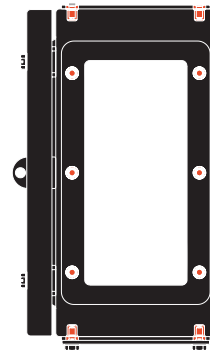




## Internal Threaded Screw Sockets

The internal threaded sockets are welded to the wall of the enclosure and allow for simple gland plate fixing. The elimination of any additional sealing material has minimised the influence of any possible ingress as a result of a mechanical impact, excessive torques or vibration. This design innovation, is exclusively featured on the new Klippon® TB enclosure product family. This provides total protection once the gland plates have been fitted.

Additionally, captive washers are used with the gland plate screws to increase the performance and the general stability of the fixing screws.



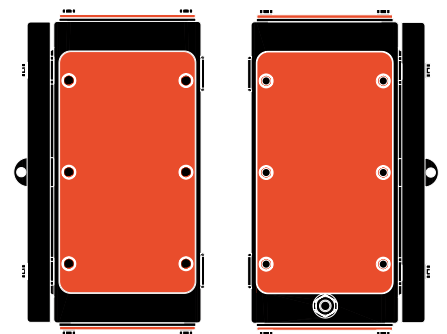


## Gland Plates

As standard, the new Klippon® TB enclosures are supplied with up to 4 gland plates. They are designed in such a way that they enable the greatest possible number of cable entries for each enclosure. The rounded gland plate corners not only fit harmoniously into the Klippon® TB design, they also minimise the risk of possible injury during installation.

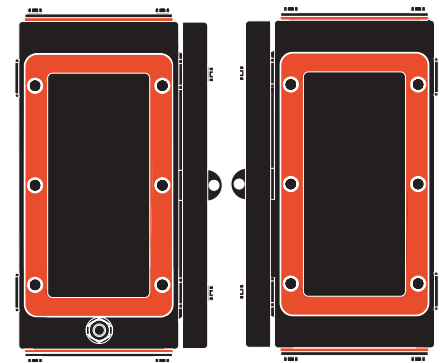
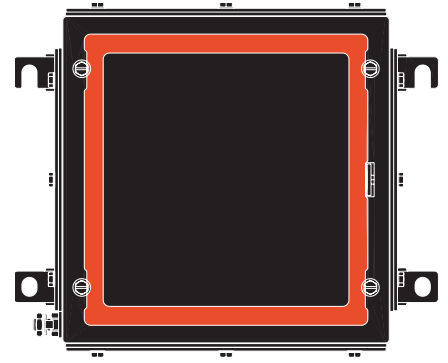
As standard, the gland plates are made of material that is 3 mm thick.

Gland plates with other material thicknesses are available as options.



## Silicone Gasket

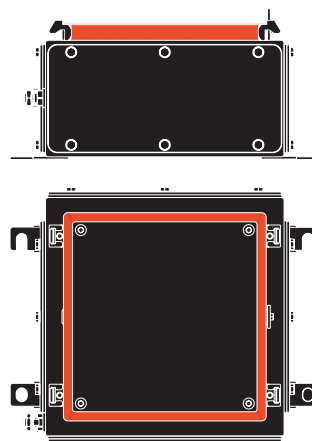
The gasket fits securely to the contour of the enclosure, providing a uniform seal all around the enclosure. The compression control performance of the gasket is optimised by the design of the hinge and supporting locking mechanism.





## Moisture / Dust Channel

A moisture and dust channel runs around the aperture of the enclosure body. This prevents dirt and moisture that has collected on the surface from entering the enclosure when the cover is opened.

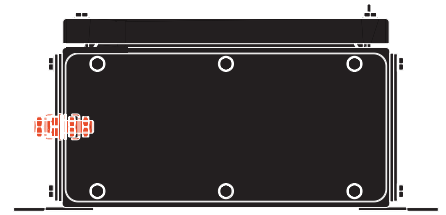


## Self-securing earth Stud

As standard, the Klippon® TB enclosures are supplied with a M10 internal/external brass earth stud to the main body of the enclosure. This can be fitted or replaced on site easily and quickly.

The earth stud has a sealing mechanism that has been tested to IP67 standard. It is keyed to prevent rotation. The specially designed washers ensure optimal vibration protection.

As an option, the earth stud is also available in stainless steel.



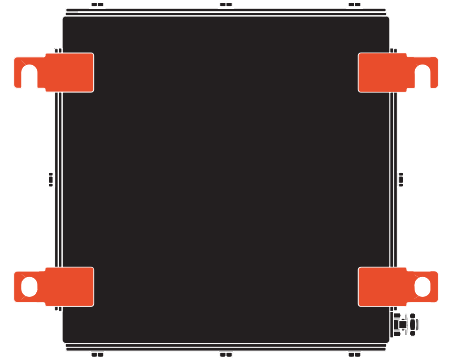


## Internal earth Point

Each Klippon® TB enclosure is equipped with an additional M6 earth screw on the cover and inside the enclosure.

## Welded mounting lugs

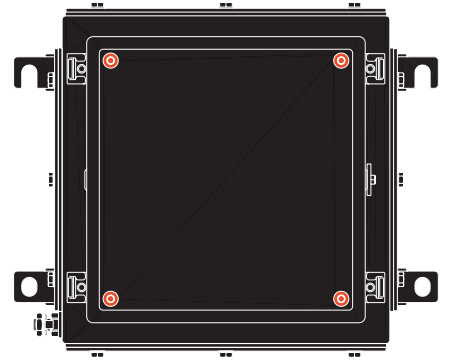
The new Klippon® TB enclosures are each supplied with four welded mounting lugs. These are designed for easy wall fixing and protection against impact and vibrations. The mounting lugs generally follow the “footprint” of earlier Klippon® TB product versions and will therefore support easy product and design replacement needs.



## Internal Mounting Pillars

The internal mounting pillars are placed in order to optimise the available space to allow mounting plates or supporting rail to be fully utilised, whilst ensuring full accessibility for the installer.

The large surface diameter of each mounting pillar offers improved stability and performance for the rail supports.







## Quality Seamless welding

The DVS (DIN EN ISO 3834-3) approved welding process ensures not only the product functionality but also means the appearance of the enclosure conveys a particular sense of quality.

## Product identification

The article number and article description are engraved in every enclosure body and cover. This makes it easier to identify and provides traceability of the enclosures. For example, during the installation of several enclosures, the cover can be uniquely assigned and placed on to the right enclosure body.



## Klippon® TB MH – Multi Hinge

### Steel enclosures for use within harsh environments

The Klippon® TB range of enclosures delivers an outstanding performance in the severest conditions and meets the needs of the increasingly stringent requirements of hazardous area applications that can be found in particular in the process and energy industries. The new Klippon® TB MH range offers further enhancements to an already successful and market leading product range.

*Information about the System accessories – Page 69.*

### The Klippon® TB MH range of enclosures offers the following advantages:

- Available in stainless steel or sheet steel material
- In 12 sizes and 3 standard depths
- With up to 4 gland plates; optionally without gland plates
- Gland plate fixing via threaded socket screws
- Gasket compression is controlled
- Padlock facility (fully removable)
- Lid fixing outside the gasket area
- Enhanced temperature performance
- IP66 and IP67
- Cover can be removed easily without a special tool
- Earth stud fitted to body and lid
- Mounting lugs pre fitted and ensure secure product mounting
- International approvals

Our assembly service can supply these enclosures preassembled with terminals and cable glands according to customer requirements.



## Overview of enclosures

Description	Length x Width x Depth in mm	1 Gland Plates (Bottom)	2 Gland Plates (Top+Bottom)	3 Gland Plates (Bottom+Sides)	4 Gland Plates (All Sides)	Reference Product
KTB MH 221513 S4E_*	229 x 152 x 133	1194560000	1194570000	1194580000	1194590000	Klippon® TB10
KTB MH 262615 S4E_*	260 x 260 x 150	1194610000	1194620000	1194630000	1194640000	Klippon® TB10A
KTB MH 262620 S4E_*	260 x 260 x 200	1194660000	1194670000	1194680000	1194690000	Klippon® TB10A
KTB MH 303015 S4E_*	306 x 306 x 150	1194710000	1194720000	1194730000	1194740000	Klippon® TB11
KTB MH 303020 S4E_*	306 x 306 x 200	1194760000	1194770000	1194780000	1194790000	Klippon® TB11
KTB MH 352615 S4E_*	350 x 260 x 150	1194810000	1194820000	1194830000	1194840000	Klippon® TB11A
KTB MH 352620 S4E_*	350 x 260 x 200	1194860000	1194870000	1194880000	1194890000	Klippon® TB11A
KTB MH 403015 S4E_*	400 x 300 x 150	1194910000	1194920000	1194930000	1194940000	-
KTB MH 403020 S4E_*	400 x 300 x 200	1194960000	1194970000	1194980000	1194990000	-
KTB MH 453815 S4E_*	458 x 382 x 150	1195010000	1195020000	1195030000	1195040000	Klippon® TB12
KTB MH 453820 S4E_*	458 x 382 x 200	1195060000	1195070000	1195080000	1195090000	Klippon® TB12
KTB MH 484815 S4E_*	480 x 480 x 150	1195110000	1195120000	1195130000	1195140000	Klippon® TB12A
KTB MH 484820 S4E_*	480 x 480 x 200	1195160000	1195170000	1195180000	1195190000	Klippon® TB12A
KTB MH 553515 S4E_*	550 x 350 x 150	1195210000	1195220000	1195230000	1195240000	Klippon® TB12B
KTB MH 553520 S4E_*	550 x 350 x 200	1195260000	1195270000	1195280000	1195290000	Klippon® TB12B
KTB MH 624515 S4E_*	620 x 450 x 150	1195310000	1195320000	1195330000	1195340000	Klippon® TB12D
KTB MH 624520 S4E_*	620 x 450 x 200	1195360000	1195370000	1195380000	1195390000	Klippon® TB12D
KTB MH 765015 S4E_*	762 x 508 x 150	1195410000	1195420000	1195430000	1195440000	Klippon® TB13
KTB MH 765020 S4E_*	762 x 508 x 200	1195460000	1195470000	1195480000	1195490000	Klippon® TB13
KTB MH 916115 S4E_*	914 x 610 x 150	1195510000	1195520000	1195530000	1195540000	Klippon® TB14
KTB MH 916120 S4E_*	914 x 610 x 200	1195560000	1195570000	1195580000	1195590000	Klippon® TB14
KTB MH 987420 S4E_*	980 x 740 x 200	1195610000	1195620000	1195630000	1195640000	-

**Note** \* Placeholder for the amount of gland plates (1, 2, 3, 4). Klippon® TB MH enclosures without gland plates are available on request.

## Technical Data

Material***	Stainless steel 1.4404 (316L) 1.5 mm
Surface	electropolished
IP Rating	IP66 / IP67
NEMA Rating	3, 4x, 12
Gland plates	1-4 (fixed with M6 hexagon head screws with 10mm slot width), optionally without gland plate
Thickness of gland plate	3 mm (optionally up to 20 mm available upon request)
Earthing inside	Bottom section of enclosure and enclosure cover: welded-on M6 stainless-steel earthing stud
Earthing outside	continuous M10 brass earth bolt (optionally with stainless-steel earthing stud)
Equipment mounting	4 or 6 mounting pillars with M6 threaded hole for fixing the mounting plate or terminal rail
Enclosure mounting	4 external lugs with 11 mm slots (2 slotted and 2 circular opening)
Lid opening	fully removable lid without tool, mountable left and right hand side, lid opening: 130°
Lid fixing	4 hinges and M6 hex-head screws (AF 10) with slot
Padlock facility	padlock hasp (removable) for additional product security with optional padlock (p/n: 0905680000)
Impact resistance	7 J ATEX applications, 10 J Industrial applications
Gasket material	Silicone
Operating temperature range*	-60 °C to +135 °C
Torque screws of lid and gland plates**	2.5 Nm

**Note** \* For use in applications higher 105 °C, the IP class is limited to IP66.

\*\* Please use our hexagon screwdriver with 10 mm slot width (article number 9009070000)

\*\*\* Sheet steel painted enclosures available on request.

## Approvals empty enclosures

ATEX certificate	KEMA 10ATEX0046 U
ATEX marking	II 2 G Ex e IIC Gb II 2 D Ex tb IIIC Db IP66/67
IECEX certificate	IECEX KEM 10.0015U
IECEX marking	Ex e IIC Gb Ex tb IIIC Db IP66/67
GOST Ex	POCC DE.ME92.B02036
GOST R	Pending
cULus	E243298
Germanischer Lloyd	11533 - 10 HH
Russian Maritime Register	10.04093.250
CCOE	P267536/2

**Note** The enclosure range Klippon® TB MH can be assembled with terminals or other approved equipment by our Application-Specific Solutions service






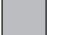


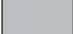



## Approvals terminal enclosures

ATEX certificate	KEMA 10ATEX0050
ATEX marking	II 2 G Ex eb IIC T6...T4 II 1 G Ex ia IIC T6...T4 II 2(1) G Ex eb ia IIC T6...T4 II 2 D Ex tb IIIC T85 °C...T135 °C IP66/67
IECEX certificate	IECEX KEM 10.0019
IECEX marking	Ex eb IIC T... Ex ia IIC T... Ex eb ia IIC T... Ex tb IIIC T85 °C...T135 °C IP66/67

**Note** Labelling depends on the application layout. Limited to IP66 protection when used for temperatures over 105 °C.

# Overview of dimensions

## Klippon® TB MH – Multi Hinge

	Dimensions [mm] Height x width x depth	Weight [g]			
		1 gland plate	2 gland plate	3 gland plate	4 gland plate
	229 x 152 x 133	3060	3360	3740	4060
	260 x 260 x 150	4840	5510	5780	6680
	260 x 260 x 200	5620	6400	6840	8200
	306 x 306 x 150	5960	6580	7060	7660
	306 x 306 x 200	6800	7720	8320	9180
	350 x 260 x 150	5780	6700	7600	9700
	350 x 260 x 200	6700	7700	8380	10100
	400 x 300 x 150	7200	8300	8380	11100
	400 x 300 x 200	7900	9200	10400	11300
	458 x 382 x 150	9000	9900	10700	12700
	458 x 382 x 200	10240	10830	12500	14110
	480 x 480 x 150	11900	13800	15200	17600
	480 x 480 x 200	12420	15900	17700	16080
	550 x 350 x 150	8500	9500	10800	12100
	550 x 350 x 200	11060	11500	13800	14720
	620 x 450 x 150	12800	14100	15600	17100
	620 x 450 x 200	14240	15830	17360	20350
	762 x 508 x 150	17100	18600	19700	20800
	762 x 508 x 200	18120	19800	21200	22700
	914 x 610 x 150	20700	22200	24100	26000
	914 x 610 x 200	23840	24600	26400	28200
	980 x 740 x 200	34800	36300	36100	39900

**Note:** Additional enclosure sizes available on request. The weights given are net weights. Enclosures without flange plates are available on request.



Height/Width/Depth 229 / 152 / 133 mm

**Ordering data**

Stainless steel 1.4404 316L, electropolished	Order No.
1 gland plate - positioned bottom side (B)	1194560000
2 gland plates - positioned top and bottom sides (A & B)	1194570000
3 gland plates - positioned bottom, left and right sides (B, C & D)	1194580000
4 gland plates - positioned top, bottom, left and right sides (A, B, C & D)	1194590000

**Note** Painted sheet steel enclosure available on request. Standard colour is similar to RAL 7035.

**Accessories**

Mounting plate	Order No.
Steel sheet, zintec	1193930000
Stainless steel, 1.4301	1193810000

Stainless steel-Spacer M6 x 8, set of 4	Order No.
10 mm length	0935110000
15 mm length	0935120000
20 mm length	0935130000
30 mm length	0935140000

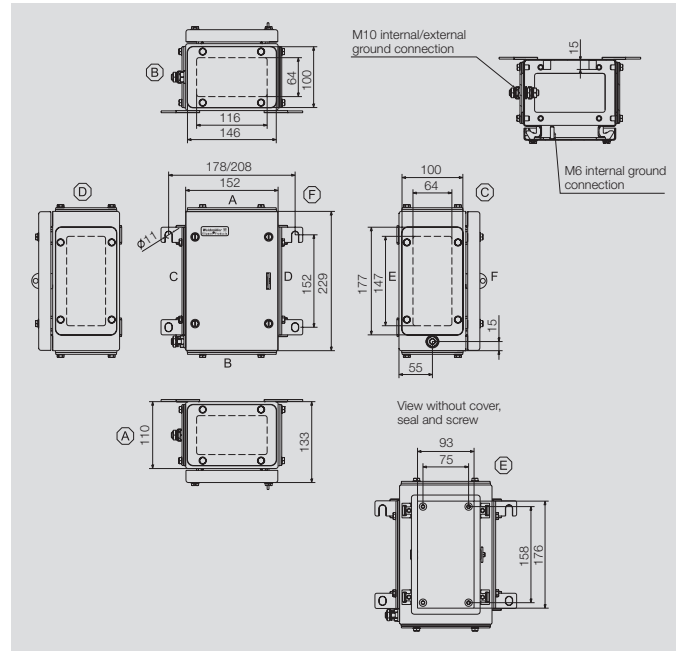
  

Sheet steel nickel plated Spacer M6 x 8, set of 2	Order No.
15 mm length	3896100000
20 mm length	3896200000
30 mm length	3896300000

Padlock with two keys	Order No.
Stainless steel, 1.4301	0905680000

**Note** System accessories can be found after the Klippon® TB QL product pages.



**Max. number of terminals (industry)**

Max. number of terminals (industry)	vertical	horizontal
2,5 mm <sup>2</sup>	1x29	1x15
4 mm <sup>2</sup>		1x13
6 mm <sup>2</sup>		1x9
10 mm <sup>2</sup>		1x7
16 mm <sup>2</sup>		1x6
35 mm <sup>2</sup>		

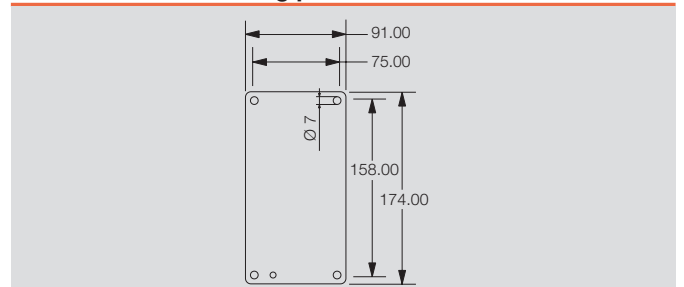
**Note** \*For enclosure versions with zero, one or two gland plates, the horizontal gap between the mounting feet is reduced by 30 mm. Assembly with terminal blocks provides for 10 mm clearance to the ends of the mounting rail. Recommended order: TS35 mounting rail (screw terminal) WDU 2.5 1020000000 / (tension clamp terminal) ZDU 2.5 1608510000 / (tension clamp terminal) PDU 2.5 1896110000 TS32 mounting rail (screw terminal) SAK 2.5 0279660000 TS15 mounting rail (screw terminal) AKZ 2.5 0697160000

**Number of cable entries**

Number of cable entries	A / B	C / D
M12	6	8
M16	5	6
M20	2	3
M25	2	2
M32	1	2
M40	1	2
M50	0	0
M63	0	0
M75	0	0

**Note** Our IP68 brass cable glands serve as a reference for these recommended values.

**Dimensions of mounting plate**





Height/Width/Depth 260 / 260 / 150 mm

**Ordering data**

Stainless steel 1.4404 316L, electropolished	Order No.
1 gland plate - positioned bottom side (B)	1194610000
2 gland plates - positioned top and bottom sides (A & B)	1194620000
3 gland plates - positioned bottom, left and right sides (B, C & D)	1194630000
4 gland plates - positioned top, bottom, left and right sides (A, B, C & D)	1194640000

**Note** Painted sheet steel enclosure available on request. Standard colour is similar to RAL 7035.

**Accessories**

Mounting plate	Order No.
Steel sheet, zintec	1193950000
Stainless steel, 1.4301	1193820000

Stainless steel-Spacer M6 x 8, set of 4	Order No.
10 mm length	0935110000
15 mm length	0935120000
20 mm length	0935130000
30 mm length	0935140000

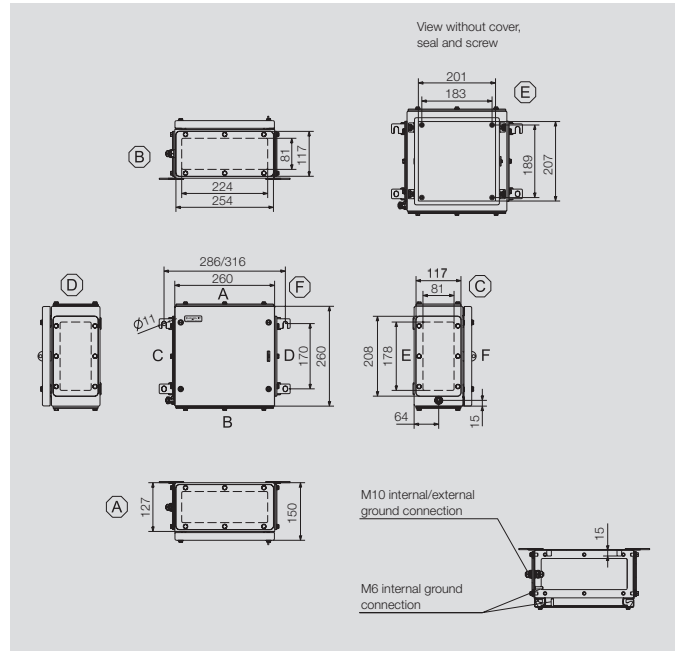
  

Sheet steel nickel plated Spacer M6 x 8, set of 2	Order No.
15 mm length	3896100000
20 mm length	3896200000
30 mm length	3896300000

Padlock with two keys	Order No.
Stainless steel, 1.4301	0905680000

**Note** System accessories can be found after the Klippon® TB QL product pages.



**Max. number of terminals (industry)**

Max. number of terminals (industry)	vertical	horizontal
2,5 mm <sup>2</sup>	2x35	2x34
4 mm <sup>2</sup>	1x30	1x29
6 mm <sup>2</sup>	1x22	1x22
10 mm <sup>2</sup>	1x18	1x17
16 mm <sup>2</sup>	1x15	1x14
35 mm <sup>2</sup>		

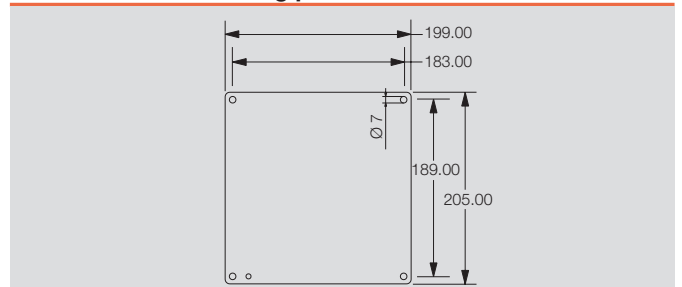
**Note** \*For enclosure versions with zero, one or two gland plates, the horizontal gap between the mounting feet is reduced by 30 mm. Assembly with terminal blocks provides for 10 mm clearance to the ends of the mounting rail. Recommended order: TS35 mounting rail (screw terminal) WDU 2.5 1020000000 / (tension clamp terminal) ZDU 2.5 1608510000 / (tension clamp terminal) PDU 2.5 1896110000 TS32 mounting rail (screw terminal) SAK 2.5 0279660000 TS15 mounting rail (screw terminal) AKZ 2.5 0697160000

**Number of cable entries**

Number of cable entries	A / B	C / D
M12	20	15
M16	11	8
M20	9	7
M25	4	3
M32	3	2
M40	3	2
M50	2	2
M63	0	0
M75	0	0

**Note** Our IP68 brass cable glands are used as the reference for these guideline values.

**Dimensions of mounting plate**





Height/Width/Depth 260 / 260 / 200 mm

**Ordering data**

Stainless steel 1.4404 316L, electropolished	Order No.
1 gland plate - positioned bottom side (B)	1194660000
2 gland plates - positioned top and bottom sides (A & B)	1194670000
3 gland plates - positioned bottom, left and right sides (B, C & D)	1194680000
4 gland plates - positioned top, bottom, left and right sides (A, B, C & D)	1194690000

**Note** Painted sheet steel enclosure available on request. Standard colour is similar to RAL 7035.

**Accessories**

Mounting plate	Order No.
Steel sheet, zintec	1193950000
Stainless steel, 1.4301	1193820000

Stainless steel-Spacer M6 x 8, set of 4	Order No.
10 mm length	0935110000
15 mm length	0935120000
20 mm length	0935130000
30 mm length	0935140000

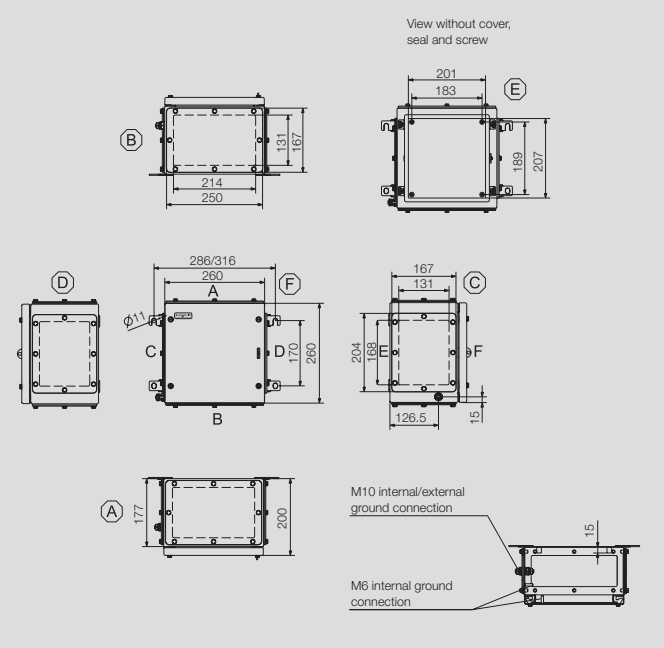
  

Sheet steel nickel plated Spacer M6 x 8, set of 2	Order No.
15 mm length	3896100000
20 mm length	3896200000
30 mm length	3896300000

Padlock with two keys	Order No.
Stainless steel, 1.4301	0905680000

**Note** System accessories can be found after the Klippon® TB QL product pages.



**Max. number of terminals (industry)**

Max. number of terminals (industry)	vertical	horizontal
2,5 mm <sup>2</sup>	2x35	2x34
4 mm <sup>2</sup>	1x30	1x29
6 mm <sup>2</sup>	1x22	1x22
10 mm <sup>2</sup>	1x18	1x17
16 mm <sup>2</sup>	1x15	1x14
35 mm <sup>2</sup>		

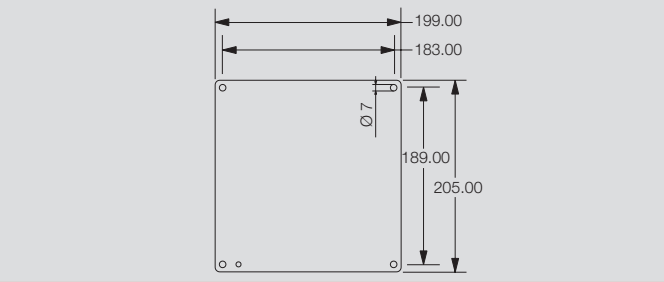
**Note** \*For enclosure versions with zero, one or two gland plates, the horizontal gap between the mounting feet is reduced by 30 mm. Assembly with terminal blocks provides for 10 mm clearance to the ends of the mounting rail. Recommended order: TS35 mounting rail (screw terminal) WDU 2.5 1020000000 / (tension clamp terminal) ZDU 2.5 1608510000 / (tension clamp terminal) PDU 2.5 1896110000 TS32 mounting rail (screw terminal) SAK 2.5 0279660000 TS15 mounting rail (screw terminal) AKZ 2.5 0697160000

**Number of cable entries**

Number of cable entries	A / B	C / D
M12	33	25
M16	22	16
M20	14	11
M25	12	9
M32	6	4
M40	5	4
M50	2	2
M63	2	1
M75	1	1

**Note** Our IP68 brass cable glands serve as a reference for these recommended values.

**Dimensions of mounting plate**





Height/Width/Depth 306 / 306 / 150 mm

**Ordering data**

Stainless steel 1.4404 316L, electropolished	Order No.
1 gland plate - positioned bottom side (B)	1194710000
2 gland plates - positioned top and bottom sides (A & B)	1194720000
3 gland plates - positioned bottom, left and right sides (B, C & D)	1194730000
4 gland plates - positioned top, bottom, left and right sides (A, B, C & D)	1194740000

**Note** Painted sheet steel enclosure available on request. Standard colour is similar to RAL 7035.

**Accessories**

Mounting plate	Order No.
Steel sheet, zintec	1193960000
Stainless steel, 1.4301	1193830000

Stainless steel-Spacer M6 x 8, set of 4	Order No.
10 mm length	0935110000
15 mm length	0935120000
20 mm length	0935130000
30 mm length	0935140000

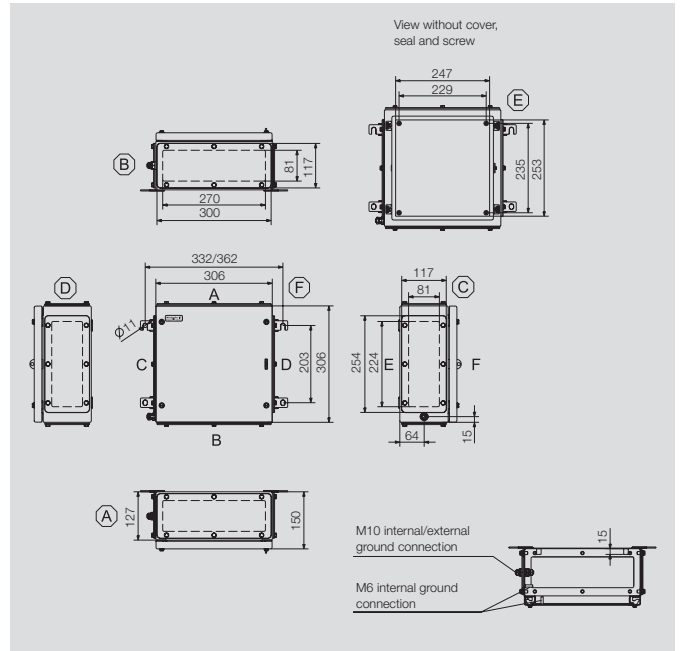
  

Sheet steel nickel plated Spacer M6 x 8, set of 2	Order No.
15 mm length	3896100000
20 mm length	3896200000
30 mm length	3896300000

Padlock with two keys	Order No.
Stainless steel, 1.4301	0905680000

**Note** System accessories can be found after the Klippon® TB QL product pages.



**Max. number of terminals (industry)**

Max. number of terminals (industry)	vertical	horizontal
2,5 mm <sup>2</sup>	2x44	2x43
4 mm <sup>2</sup>	2x37	2x36
6 mm <sup>2</sup>	2x28	2x27
10 mm <sup>2</sup>	1x22	1x22
16 mm <sup>2</sup>	1x19	1x18
35 mm <sup>2</sup>	1x14	1x13

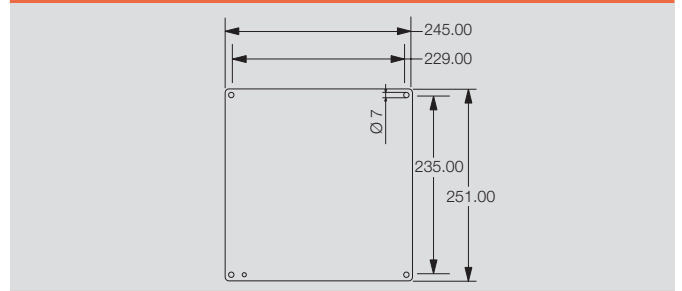
**Note** \*For enclosure versions with zero, one or two gland plates, the horizontal gap between the mounting feet is reduced by 30 mm. Assembly with terminal blocks provides for 10 mm clearance to the ends of the mounting rail. Recommended order: TS35 mounting rail (screw terminal) WDU 2.5 1020000000 / (tension clamp terminal) ZDU 2.5 1608510000 / (tension clamp terminal) PDU 2.5 1896110000 TS32 mounting rail (screw terminal) SAK 2.5 0279660000 TS15 mounting rail (screw terminal) AKZ 2.5 0697160000

**Number of cable entries**

Number of cable entries	A / B	C / D
M12	24	20
M16	13	11
M20	11	9
M25	5	4
M32	4	3
M40	3	3
M50	3	2
M63	0	0
M75	0	0

**Note** Our IP68 brass cable glands are used as the reference for these guideline values.

**Dimensions of mounting plate**





Klippon® TB MH 303020

Depth 200 mm



Height/Width/Depth 306 / 306 / 200 mm

Ordering data

Stainless steel 1.4404 316L, electropolished	Order No.
1 gland plate - positioned bottom side (B)	1194760000
2 gland plates - positioned top and bottom sides (A & B)	1194770000
3 gland plates - positioned bottom, left and right sides (B, C & D)	1194780000
4 gland plates - positioned top, bottom, left and right sides (A, B, C & D)	1194790000

**Note** Painted sheet steel enclosure available on request. Standard colour is similar to RAL 7035.

Accessories

Mounting plate	Order No.
Steel sheet, zintec	1193960000
Stainless steel, 1.4301	1193830000

Stainless steel-Spacer M6 x 8, set of 4	Order No.
10 mm length	0935110000
15 mm length	0935120000
20 mm length	0935130000
30 mm length	0935140000

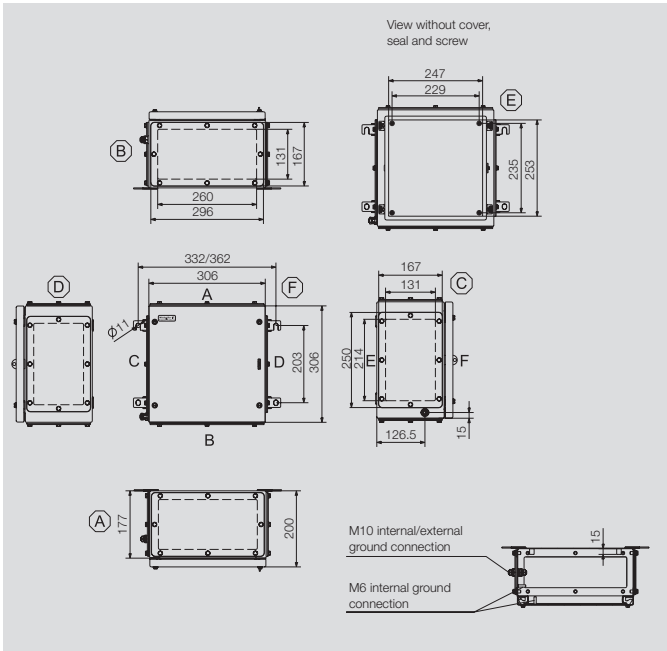
  

Sheet steel nickel plated Spacer M6 x 8, set of 2	Order No.
15 mm length	3896100000
20 mm length	3896200000
30 mm length	3896300000

Padlock with two keys	Order No.
Stainless steel, 1.4301	0905680000

**Note** System accessories can be found after the Klippon® TB QL product pages.



Max. number of terminals (industry)

Max. number of terminals (industry)	vertical	horizontal
2,5 mm²	2x44	2x43
4 mm²	2x37	2x36
6 mm²	2x28	2x27
10 mm²	1x22	1x22
16 mm²	1x19	1x18
35 mm²	1x14	1x13

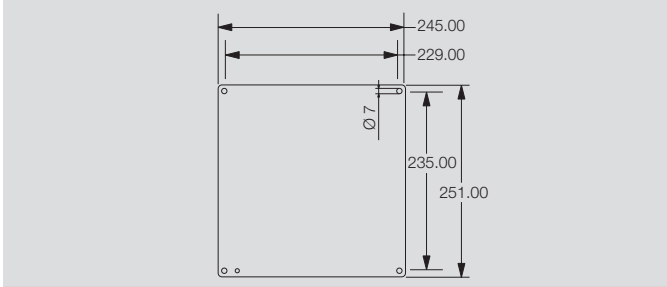
**Note** \*For enclosure versions with zero, one or two gland plates, the horizontal gap between the mounting feet is reduced by 30 mm. Assembly with terminal blocks provides for 10 mm clearance to the ends of the mounting rail. Recommended order: TS35 mounting rail (screw terminal) WDU 2.5 1020000000 / (tension clamp terminal) ZDU 2.5 1608510000 / (tension clamp terminal) PDU 2.5 1896110000 TS32 mounting rail (screw terminal) SAK 2.5 0279660000 TS15 mounting rail (screw terminal) AKZ 2.5 0697160000

Number of cable entries

Number of cable entries	A / B	C / D
M12	40	33
M16	26	22
M20	17	14
M25	14	12
M32	8	6
M40	6	5
M50	3	2
M63	2	2
M75	2	1

**Note** Our IP68 brass cable glands serve as a reference for these recommended values.

Dimensions of mounting plate





Height/Width/Depth 350 / 260 / 150 mm

**Ordering data**

Stainless steel 1.4404 316L, electropolished	Order No.
1 gland plate - positioned bottom side (B)	1194810000
2 gland plates - positioned top and bottom sides (A & B)	1194820000
3 gland plates - positioned bottom, left and right sides (B, C & D)	1194830000
4 gland plates - positioned top, bottom, left and right sides (A, B, C & D)	1194840000

**Note** Painted sheet steel enclosure available on request. Standard colour is similar to RAL 7035.

**Accessories**

Mounting plate	Order No.
Steel sheet, zintec	1193970000
Stainless steel, 1.4301	1193840000

Stainless steel-Spacer M6 x 8, set of 4	Order No.
10 mm length	0935110000
15 mm length	0935120000
20 mm length	0935130000
30 mm length	0935140000

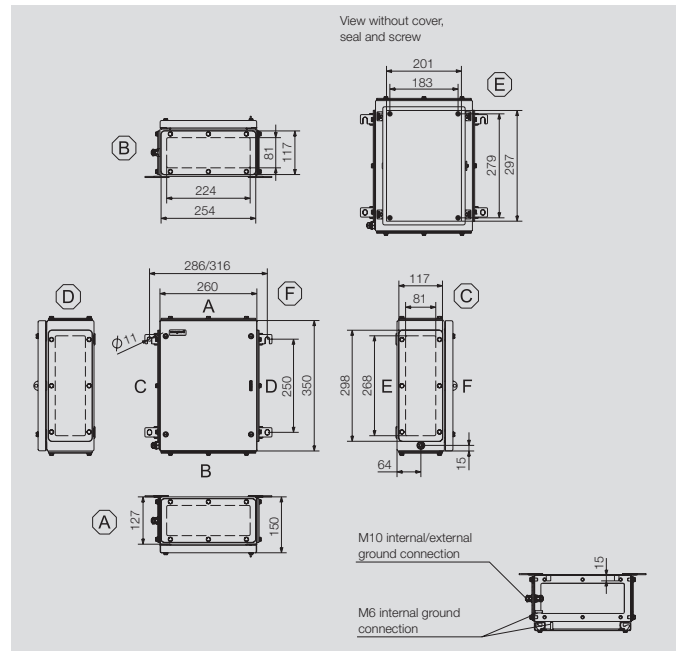
  

Sheet steel nickel plated Spacer M6 x 8, set of 2	Order No.
15 mm length	3896100000
20 mm length	3896200000
30 mm length	3896300000

Padlock with two keys	Order No.
Stainless steel, 1.4301	0905680000

**Note** System accessories can be found after the Klippon® TB QL product pages.



**Max. number of terminals (industry)**

Max. number of terminals (industry)	vertical	horizontal
2,5 mm <sup>2</sup>	2x53	2x34
4 mm <sup>2</sup>	1x44	2x29
6 mm <sup>2</sup>	1x33	2x22
10 mm <sup>2</sup>	1x27	2x17
16 mm <sup>2</sup>	1x22	1x14
35 mm <sup>2</sup>		1x11

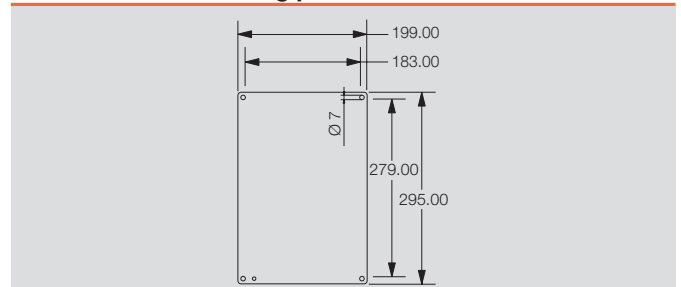
**Note** \*For enclosure versions with zero, one or two gland plates, the horizontal gap between the mounting feet is reduced by 30 mm. Assembly with terminal blocks provides for 10 mm clearance to the ends of the mounting rail. Recommended order: TS35 mounting rail (screw terminal) WDU 2.5 1020000000 / (tension clamp terminal) ZDU 2.5 1608510000 / (tension clamp terminal) PDU 2.5 1896110000 TS32 mounting rail (screw terminal) SAK 2.5 0279660000 TS15 mounting rail (screw terminal) AKZ 2.5 0697160000

**Number of cable entries**

Number of cable entries	A / B	C / D
M12	20	23
M16	11	13
M20	9	11
M25	4	5
M32	3	4
M40	3	3
M50	2	3
M63	0	0
M75	0	0

**Note** Our IP68 brass cable glands are used as the reference for these guideline values.

**Dimensions of mounting plate**





Height/Width/Depth 350 / 260 / 200 mm

**Ordering data**

Stainless steel 1.4404 316L, electropolished	Order No.
1 gland plate - positioned bottom side (B)	1194860000
2 gland plates - positioned top and bottom sides (A & B)	1194870000
3 gland plates - positioned bottom, left and right sides (B, C & D)	1194880000
4 gland plates - positioned top, bottom, left and right sides (A, B, C & D)	1194890000

**Note** Painted sheet steel enclosure available on request. Standard colour is similar to RAL 7035.

**Accessories**

Mounting plate	Order No.
Steel sheet, zintec	1193970000
Stainless steel, 1.4301	1193840000

Stainless steel-Spacer M6 x 8, set of 4	Order No.
10 mm length	0935110000
15 mm length	0935120000
20 mm length	0935130000
30 mm length	0935140000

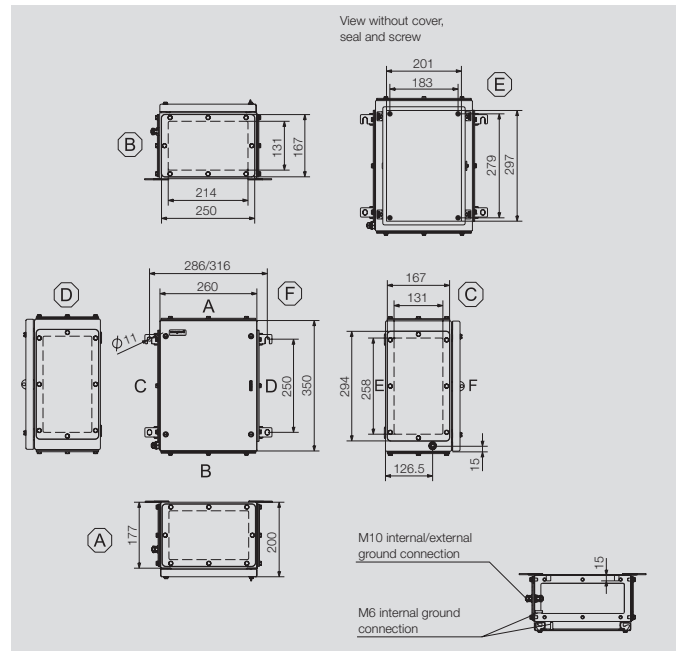
  

Sheet steel nickel plated Spacer M6 x 8, set of 2	Order No.
15 mm length	3896100000
20 mm length	3896200000
30 mm length	3896300000

Padlock with two keys	Order No.
Stainless steel, 1.4301	0905680000

**Note** System accessories can be found after the Klippon® TB QL product pages.



**Max. number of terminals (industry)**

Max. number of terminals (industry)	vertical	horizontal
2,5 mm <sup>2</sup>	2x53	2x34
4 mm <sup>2</sup>	1x44	2x29
6 mm <sup>2</sup>	1x33	2x22
10 mm <sup>2</sup>	1x27	2x17
16 mm <sup>2</sup>	1x22	1x14
35 mm <sup>2</sup>		1x11

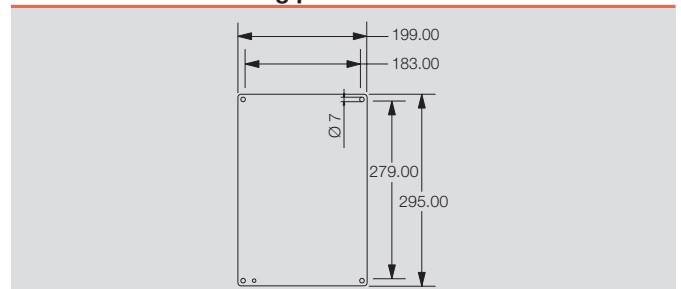
**Note** \*For enclosure versions with zero, one or two gland plates, the horizontal gap between the mounting feet is reduced by 30 mm. Assembly with terminal blocks provides for 10 mm clearance to the ends of the mounting rail. Recommended order: TS35 mounting rail (screw terminal) WDU 2.5 1020000000 / (tension clamp terminal) ZDU 2.5 1608510000 / (tension clamp terminal) PDU 2.5 1896110000 TS32 mounting rail (screw terminal) SAK 2.5 0279660000 TS15 mounting rail (screw terminal) AKZ 2.5 0697160000

**Number of cable entries**

Number of cable entries	A / B	C / D
M12	33	38
M16	22	26
M20	14	17
M25	12	14
M32	6	7
M40	5	6
M50	2	3
M63	2	2
M75	1	2

**Note** Our IP68 brass cable glands serve as a reference for these recommended values.

**Dimensions of mounting plate**





Height/Width/Depth 400 / 300 / 150 mm

**Ordering data**

Stainless steel 1.4404 316L, electropolished	Order No.
1 gland plate - positioned bottom side (B)	1194910000
2 gland plates - positioned top and bottom sides (A & B)	1194920000
3 gland plates - positioned bottom, left and right sides (B, C & D)	1194930000
4 gland plates - positioned top, bottom, left and right sides (A, B, C & D)	1194940000

**Note** Painted sheet steel enclosure available on request. Standard colour is similar to RAL 7035.

**Accessories**

Mounting plate	Order No.
Steel sheet, zintec	1193980000
Stainless steel, 1.4301	1193850000

Stainless steel-Spacer M6 x 8, set of 4	Order No.
10 mm length	0935110000
15 mm length	0935120000
20 mm length	0935130000
30 mm length	0935140000

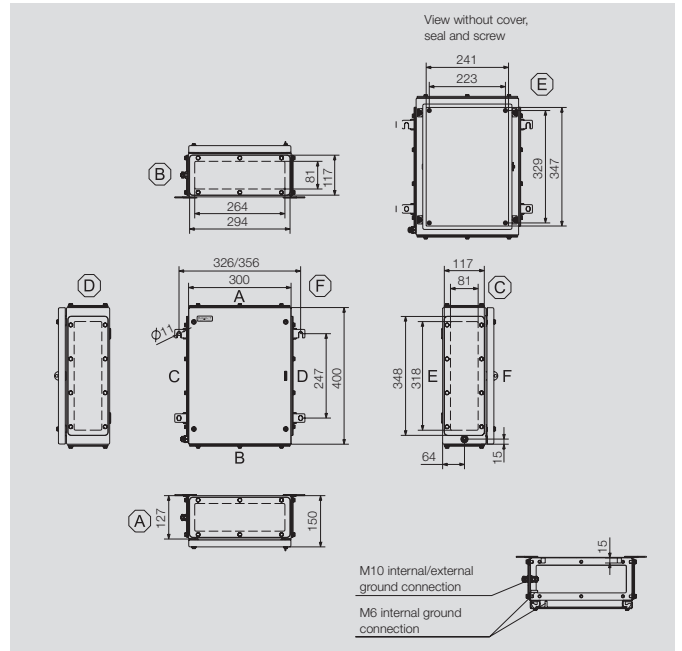
  

Sheet steel nickel plated Spacer M6 x 8, set of 2	Order No.
15 mm length	3896100000
20 mm length	3896200000
30 mm length	3896300000

Padlock with two keys	Order No.
Stainless steel, 1.4301	0905680000

**Note** System accessories can be found after the Klippon® TB QL product pages.



**Max. number of terminals (industry)**

Max. number of terminals (industry)	vertical	horizontal
2,5 mm <sup>2</sup>	2x62	3x42
4 mm <sup>2</sup>	2x52	3x35
6 mm <sup>2</sup>	1x39	2x26
10 mm <sup>2</sup>	1x32	2x21
16 mm <sup>2</sup>	1x26	2x18
35 mm <sup>2</sup>	1x20	1x13

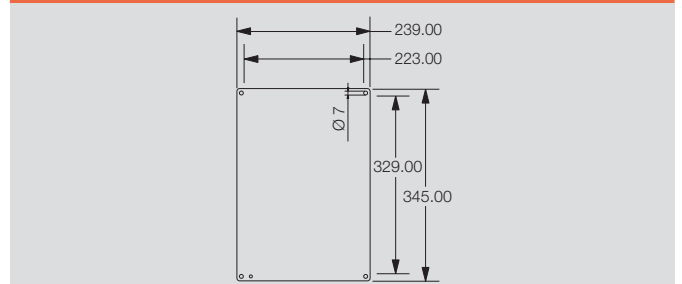
**Note** \*For enclosure versions with zero, one or two gland plates, the horizontal gap between the mounting feet is reduced by 30 mm. Assembly with terminal blocks provides for 10 mm clearance to the ends of the mounting rail. Recommended order: TS35 mounting rail (screw terminal) WDU 2.5 102000000 / (tension clamp terminal) ZDU 2.5 1608510000 / (tension clamp terminal) PDU 2.5 1896110000 TS32 mounting rail (screw terminal) SAK 2.5 0279660000 TS15 mounting rail (screw terminal) AKZ 2.5 0697160000

**Number of cable entries**

Number of cable entries	A / B	C / D
M12	23	29
M16	13	16
M20	11	13
M25	5	6
M32	4	5
M40	3	4
M50	3	3
M63	0	0
M75	0	0

**Note** Our IP68 brass cable glands are used as the reference for these guideline values.

**Dimensions of mounting plate**





Height/Width/Depth 400 / 300 / 200 mm

**Ordering data**

Stainless steel 1.4404 316L, electropolished	Order No.
1 gland plate - positioned bottom side (B)	1194960000
2 gland plates - positioned top and bottom sides (A & B)	1194970000
3 gland plates - positioned bottom, left and right sides (B, C & D)	1194980000
4 gland plates - positioned top, bottom, left and right sides (A, B, C & D)	1194990000

**Note** Painted sheet steel enclosure available on request. Standard colour is similar to RAL 7035.

**Accessories**

Mounting plate	Order No.
Steel sheet, zintec	1193980000
Stainless steel, 1.4301	1193850000

Stainless steel-Spacer M6 x 8, set of 4	Order No.
10 mm length	0935110000
15 mm length	0935120000
20 mm length	0935130000
30 mm length	0935140000

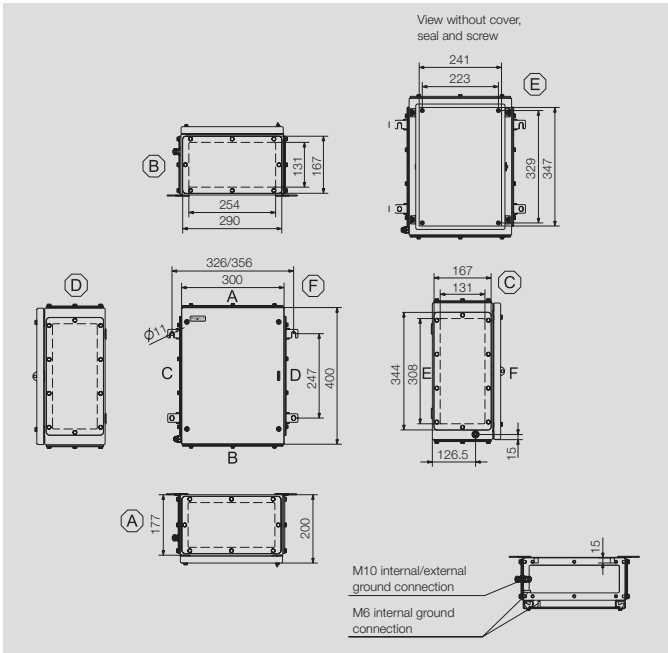
  

Sheet steel nickel plated Spacer M6 x 8, set of 2	Order No.
15 mm length	3896100000
20 mm length	3896200000
30 mm length	3896300000

Padlock with two keys	Order No.
Stainless steel, 1.4301	0905680000

**Note** System accessories can be found after the Klippon® TB QL product pages.



**Max. number of terminals (industry)**

Max. number of terminals (industry)	vertical	horizontal
2,5 mm <sup>2</sup>	2x62	3x42
4 mm <sup>2</sup>	2x52	3x35
6 mm <sup>2</sup>	1x39	2x26
10 mm <sup>2</sup>	1x32	2x21
16 mm <sup>2</sup>	1x26	2x18
35 mm <sup>2</sup>	1x20	1x13

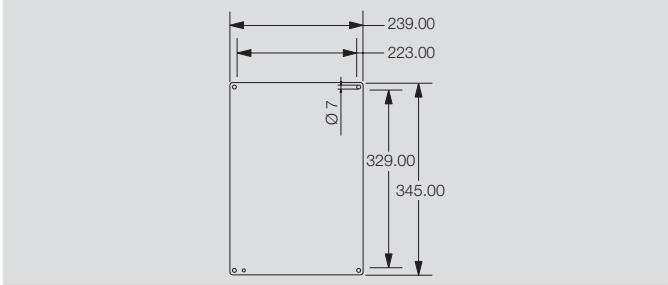
**Note** \*For enclosure versions with zero, one or two gland plates, the horizontal gap between the mounting feet is reduced by 30 mm. Assembly with terminal blocks provides for 10 mm clearance to the ends of the mounting rail. Recommended order: TS35 mounting rail (screw terminal) WDU 2.5 1020000000 / (tension clamp terminal) ZDU 2.5 1608510000 / (tension clamp terminal) PDU 2.5 1896110000 TS32 mounting rail (screw terminal) SAK 2.5 0279660000 TS15 mounting rail (screw terminal) AKZ 2.5 0697160000

**Number of cable entries**

Number of cable entries	A / B	C / D
M12	38	48
M16	26	32
M20	17	20
M25	14	17
M32	7	9
M40	6	7
M50	3	3
M63	2	3
M75	2	2

**Note** Our IP68 brass cable glands serve as a reference for these recommended values.

**Dimensions of mounting plate**





Height/Width/Depth 458 / 382 / 150 mm

**Ordering data**

Stainless steel 1.4404 316L, electropolished	Order No.
1 gland plate - positioned bottom side (B)	1195010000
2 gland plates - positioned top and bottom sides (A & B)	1195020000
3 gland plates - positioned bottom, left and right sides (B, C & D)	1195030000
4 gland plates - positioned top, bottom, left and right sides (A, B, C & D)	1195040000

**Note** Painted sheet steel enclosure available on request. Standard colour is similar to RAL 7035.

**Accessories**

Mounting plate	Order No.
Steel sheet, zintec	1193990000
Stainless steel, 1.4301	1193860000

Stainless steel-Spacer M6 x 8, set of 4	Order No.
10 mm length	0935110000
15 mm length	0935120000
20 mm length	0935130000
30 mm length	0935140000

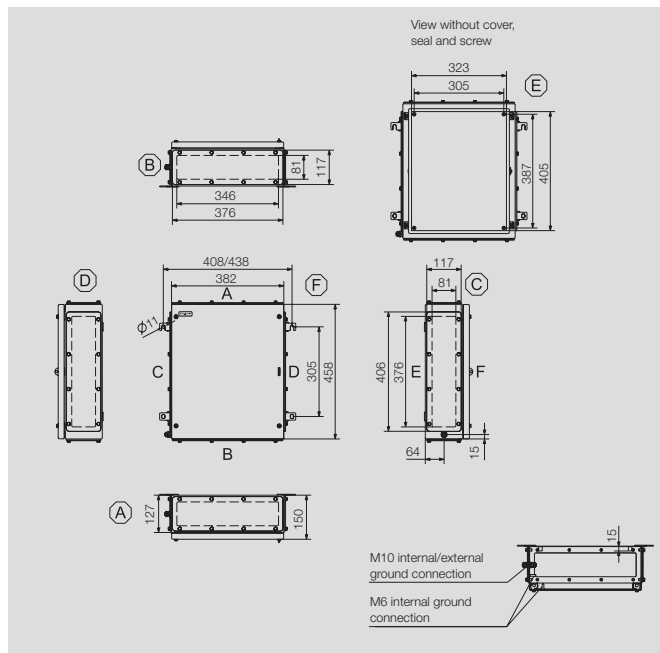
  

Sheet steel nickel plated Spacer M6 x 8, set of 2	Order No.
15 mm length	3896100000
20 mm length	3896200000
30 mm length	3896300000

Padlock with two keys	Order No.
Stainless steel, 1.4301	0905680000

**Note** System accessories can be found after the Klippon® TB QL product pages.



**Max. number of terminals (industry)**

Max. number of terminals (industry)	vertical	horizontal
2,5 mm²	3x73	4x58
4 mm²	2x62	3x48
6 mm²	2x46	3x36
10 mm²	2x37	2x29
16 mm²	2x31	2x24
35 mm²	1x23	1x18

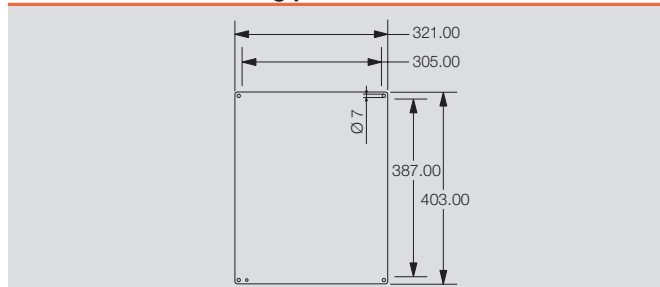
**Note** \*For enclosure versions with zero, one or two gland plates, the horizontal gap between the mounting feet is reduced by 30 mm. Assembly with terminal blocks provides for 10 mm clearance to the ends of the mounting rail. Recommended order: TS35 mounting rail (screw terminal) WDU 2.5 1020000000 / (tension clamp terminal) ZDU 2.5 1608510000 / (tension clamp terminal) PDU 2.5 1896110000 TS32 mounting rail (screw terminal) SAK 2.5 0279660000 TS15 mounting rail (screw terminal) AKZ 2.5 0697160000

**Number of cable entries**

Number of cable entries	A / B	C / D
M12	30	33
M16	17	19
M20	15	16
M25	6	7
M32	5	6
M40	4	5
M50	4	4
M63	0	0
M75	0	0

**Note** Our IP68 brass cable glands serve as a reference for these recommended values.

**Dimensions of mounting plate**



Klippon® TB MH 453820

Depth 200 mm



Height/Width/Depth 458 / 382 / 200 mm

Ordering data

Stainless steel 1.4404 316L, electropolished	Order No.
1 gland plate - positioned bottom side (B)	1195060000
2 gland plates - positioned top and bottom sides (A & B)	1195070000
3 gland plates - positioned bottom, left and right sides (B, C & D)	1195080000
4 gland plates - positioned top, bottom, left and right sides (A, B, C & D)	1195090000

**Note** Painted sheet steel enclosure available on request. Standard colour is similar to RAL 7035.

Accessories

Mounting plate	Order No.
Steel sheet, zintec	1193990000
Stainless steel, 1.4301	1193860000

Stainless steel-Spacer M6 x 8, set of 4	Order No.
10 mm length	0935110000
15 mm length	0935120000
20 mm length	0935130000
30 mm length	0935140000

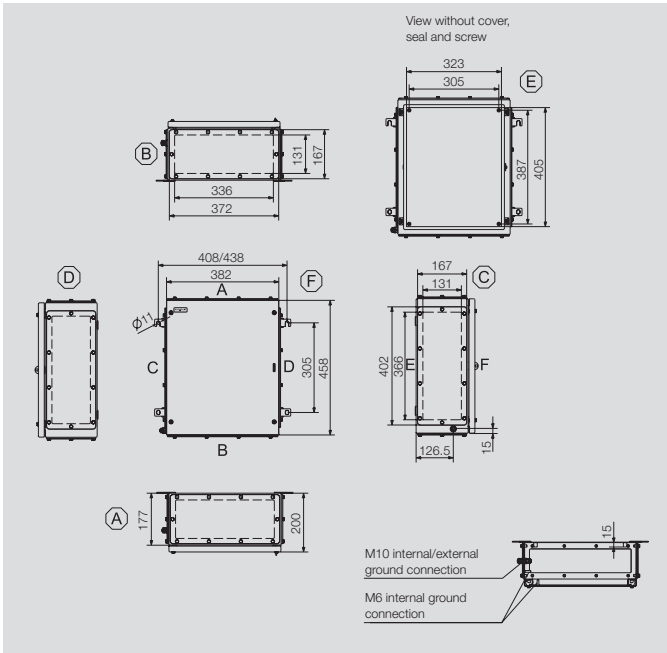
  

Sheet steel nickel plated Spacer M6 x 8, set of 2	Order No.
15 mm length	3896100000
20 mm length	3896200000
30 mm length	3896300000

Padlock with two keys	Order No.
Stainless steel, 1.4301	0905680000

**Note** System accessories can be found after the Klippon® TB QL product pages.



Max. number of terminals (industry)

Max. number of terminals (industry)	vertical	horizontal
2,5 mm²	3x73	4x58
4 mm²	2x62	3x48
6 mm²	2x46	3x36
10 mm²	2x37	2x29
16 mm²	2x31	2x24
35 mm²	1x23	1x18

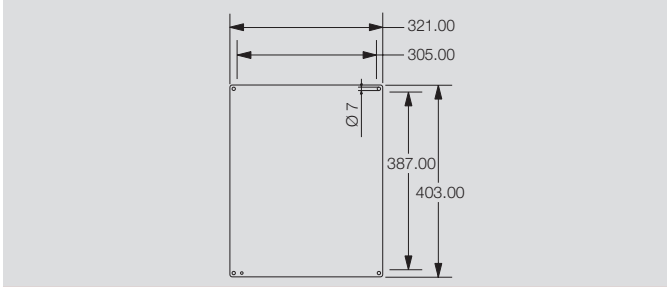
**Note** \*For enclosure versions with zero, one or two gland plates, the horizontal gap between the mounting feet is reduced by 30 mm. Assembly with terminal blocks provides for 10 mm clearance to the ends of the mounting rail. Recommended order: TS35 mounting rail (screw terminal) WDU 2.5 1020000000 / (tension clamp terminal) ZDU 2.5 1608510000 / (tension clamp terminal) PDU 2.5 1896110000 TS32 mounting rail (screw terminal) SAK 2.5 0279660000 TS15 mounting rail (screw terminal) AKZ 2.5 0697160000

Number of cable entries

Number of cable entries	A / B	C / D
M12	50	55
M16	34	38
M20	23	24
M25	18	21
M32	10	11
M40	8	9
M50	4	4
M63	3	3
M75	2	3

**Note** Our IP68 brass cable glands are used as the reference for these guideline values.

Dimensions of mounting plate





Height/Width/Depth 480 / 480 / 150 mm

**Ordering data**

Stainless steel 1.4404 316L, electropolished	Order No.
1 gland plate - positioned bottom side (B)	1195110000
2 gland plates - positioned top and bottom sides (A & B)	1195120000
3 gland plates - positioned bottom, left and right sides (B, C & D)	1195130000
4 gland plates - positioned top, bottom, left and right sides (A, B, C & D)	1195140000

**Note** Painted sheet steel enclosure available on request. Standard colour is similar to RAL 7035.

**Accessories**

Mounting plate	Order No.
Steel sheet, zintec	1194000000
Stainless steel, 1.4301	1193870000

Stainless steel-Spacer M6 x 8, set of 4	Order No.
10 mm length	0935110000
15 mm length	0935120000
20 mm length	0935130000
30 mm length	0935140000

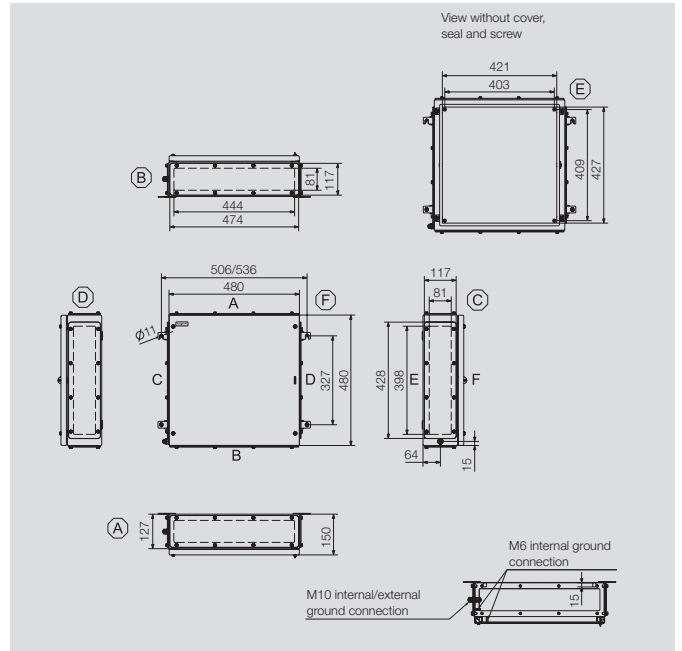
  

Sheet steel nickel plated Spacer M6 x 8, set of 2	Order No.
15 mm length	3896100000
20 mm length	3896200000
30 mm length	3896300000

Padlock with two keys	Order No.
Stainless steel, 1.4301	0905680000

**Note** System accessories can be found after the Klippon® TB QL product pages.



**Max. number of terminals (industry)**

Max. number of terminals (industry)	vertical	horizontal
2,5 mm²	4x78	4x77
4 mm²	3x65	3x64
6 mm²	3x49	3x48
10 mm²	2x39	3x39
16 mm²	2x33	2x32
35 mm²	1x25	2x24

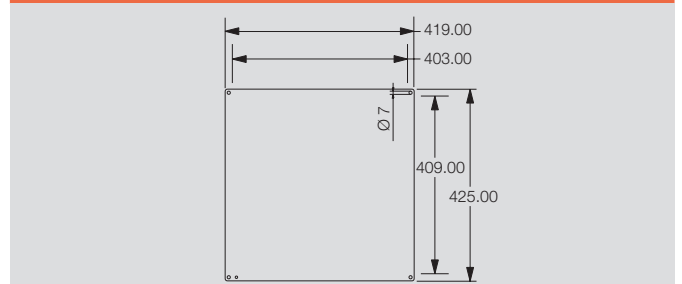
**Note** \*For enclosure versions with zero, one or two gland plates, the horizontal gap between the mounting feet is reduced by 30 mm. Assembly with terminal blocks provides for 10 mm clearance to the ends of the mounting rail. Recommended order: TS35 mounting rail (screw terminal) WDU 2.5 1020000000 / (tension clamp terminal) ZDU 2.5 1608510000 / (tension clamp terminal) PDU 2.5 1896110000 TS32 mounting rail (screw terminal) SAK 2.5 0279660000 TS15 mounting rail (screw terminal) AKZ 2.5 0697160000

**Number of cable entries**

Number of cable entries	A / B	C / D
M12	39	36
M16	22	20
M20	19	17
M25	8	7
M32	7	6
M40	6	5
M50	5	4
M63	0	0
M75	0	0

**Note** Our IP68 brass cable glands serve as a reference for these recommended values.

**Dimensions of mounting plate**





Klippon® TB MH 484820

Depth 200 mm



Height/Width/Depth 480 / 480 / 200 mm

Ordering data

Stainless steel 1.4404 316L, electropolished	Order No.
1 gland plate - positioned bottom side (B)	1195160000
2 gland plates - positioned top and bottom sides (A & B)	1195170000
3 gland plates - positioned bottom, left and right sides (B, C & D)	1195180000
4 gland plates - positioned top, bottom, left and right sides (A, B, C & D)	1195190000

**Note** Painted sheet steel enclosure available on request. Standard colour is similar to RAL 7035.

Accessories

Mounting plate	Order No.
Steel sheet, zintec	1194000000
Stainless steel, 1.4301	1193870000

Stainless steel-Spacer M6 x 8, set of 4	Order No.
10 mm length	0935110000
15 mm length	0935120000
20 mm length	0935130000
30 mm length	0935140000

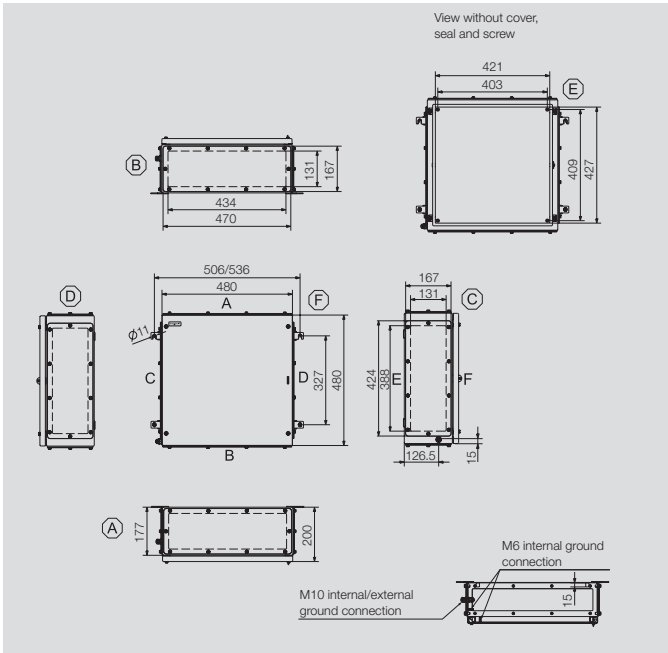
  

Sheet steel nickel plated Spacer M6 x 8, set of 2	Order No.
15 mm length	3896100000
20 mm length	3896200000
30 mm length	3896300000

Padlock with two keys	Order No.
Stainless steel, 1.4301	0905680000

**Note** System accessories can be found after the Klippon® TB QL product pages.



Max. number of terminals (industry)

Max. number of terminals (industry)	vertical	horizontal
2,5 mm <sup>2</sup>	4x78	4x77
4 mm <sup>2</sup>	3x65	3x64
6 mm <sup>2</sup>	3x49	3x48
10 mm <sup>2</sup>	2x39	3x39
16 mm <sup>2</sup>	2x33	2x32
35 mm <sup>2</sup>	1x25	2x24

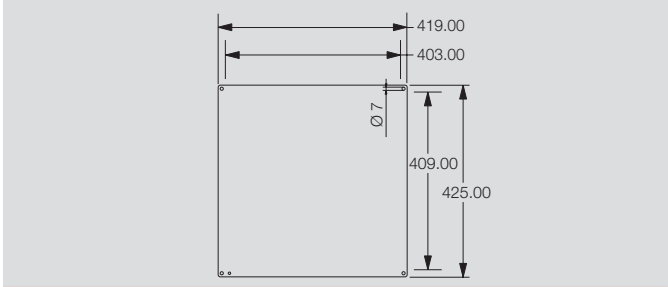
**Note** \*For enclosure versions with zero, one or two gland plates, the horizontal gap between the mounting feet is reduced by 30 mm. Assembly with terminal blocks provides for 10 mm clearance to the ends of the mounting rail. Recommended order: TS35 mounting rail (screw terminal) WDU 2.5 1020000000 / (tension clamp terminal) ZDU 2.5 1608510000 / (tension clamp terminal) PDU 2.5 1896110000 TS32 mounting rail (screw terminal) SAK 2.5 0279660000 TS15 mounting rail (screw terminal) AKZ 2.5 0697160000

Number of cable entries

Number of cable entries	A / B	C / D
M12	65	60
M16	44	40
M20	29	26
M25	24	21
M32	13	12
M40	11	10
M50	5	4
M63	4	4
M75	3	3

**Note** Our IP68 brass cable glands are used as the reference for these guideline values.

Dimensions of mounting plate





Height/Width/Depth 550 / 350 / 150 mm

**Ordering data**

Stainless steel 1.4404 316L, electropolished	Order No.
1 gland plate - positioned bottom side (B)	1195210000
2 gland plates - positioned top and bottom sides (A & B)	1195220000
3 gland plates - positioned bottom, left and right sides (B, C & D)	1195230000
4 gland plates - positioned top, bottom, left and right sides (A, B, C & D)	1195240000

**Note** Painted sheet steel enclosure available on request. Standard colour is similar to RAL 7035.

**Accessories**

Mounting plate	Order No.
Steel sheet, zintec	1194010000
Stainless steel, 1.4301	1193880000

Stainless steel-Spacer M6 x 8, set of 4	Order No.
10 mm length	0935110000
15 mm length	0935120000
20 mm length	0935130000
30 mm length	0935140000

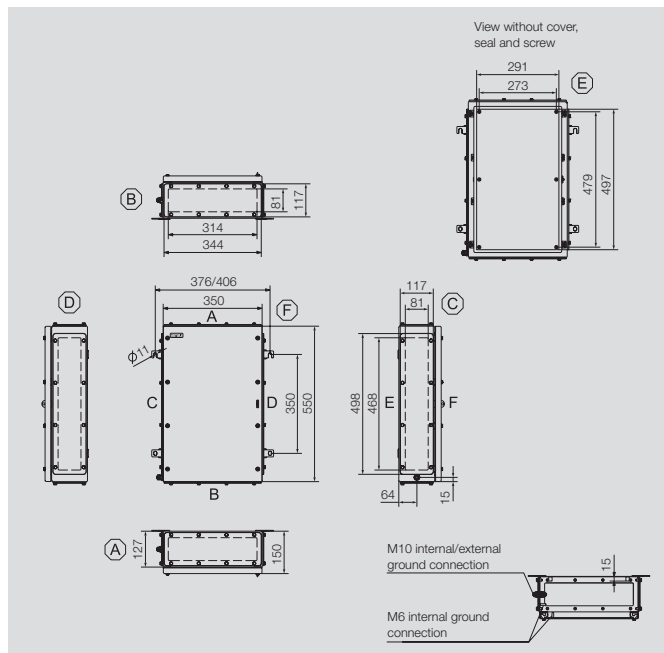
  

Sheet steel nickel plated Spacer M6 x 8, set of 2	Order No.
15 mm length	3896100000
20 mm length	3896200000
30 mm length	3896300000

Padlock with two keys	Order No.
Stainless steel, 1.4301	0905680000

**Note** System accessories can be found after the Klippon® TB QL product pages.



**Max. number of terminals (industry)**

Max. number of terminals (industry)	vertical	horizontal
2,5 mm <sup>2</sup>	2x91	4x52
4 mm <sup>2</sup>	2x76	4x43
6 mm <sup>2</sup>	2x58	4x32
10 mm <sup>2</sup>	2x46	3x26
16 mm <sup>2</sup>	1x39	3x22
35 mm <sup>2</sup>	1x29	2x16

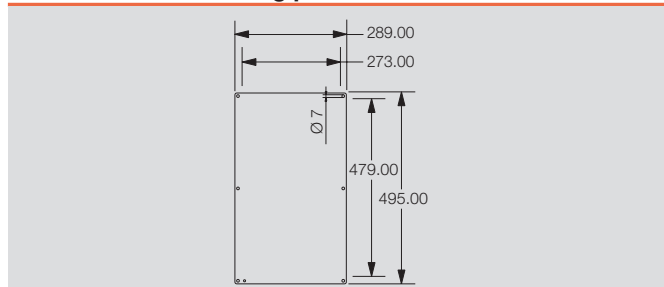
**Note** \*For enclosure versions with zero, one or two gland plates, the horizontal gap between the mounting feet is reduced by 30 mm. Assembly with terminal blocks provides for 10 mm clearance to the ends of the mounting rail. Recommended order: TS35 mounting rail (screw terminal) WDU 2.5 1020000000 / (tension clamp terminal) ZDU 2.5 1608510000 / (tension clamp terminal) PDU 2.5 1896110000 TS32 mounting rail (screw terminal) SAK 2.5 0279660000 TS15 mounting rail (screw terminal) AKZ 2.5 0697160000

**Number of cable entries**

Number of cable entries	A / B	C / D
M12	27	42
M16	15	24
M20	13	20
M25	6	9
M32	5	7
M40	4	6
M50	3	5
M63	0	0
M75	0	0

**Note** Our IP68 brass cable glands are used as the reference for these guideline values.

**Dimensions of mounting plate**



Klippon® TB MH 553520

Depth 200 mm



Height/Width/Depth 550 / 350 / 200 mm

Ordering data

Stainless steel 1.4404 316L, electropolished	Order No.
1 gland plate - positioned bottom side (B)	1195260000
2 gland plates - positioned top and bottom sides (A & B)	1195270000
3 gland plates - positioned bottom, left and right sides (B, C & D)	1195280000
4 gland plates - positioned top, bottom, left and right sides (A, B, C & D)	1195290000

**Note** Painted sheet steel enclosure available on request. Standard colour is similar to RAL 7035.

Accessories

Mounting plate	Order No.
Steel sheet, zintec	1194010000
Stainless steel, 1.4301	1193880000

Stainless steel-Spacer M6 x 8, set of 4	Order No.
10 mm length	0935110000
15 mm length	0935120000
20 mm length	0935130000
30 mm length	0935140000

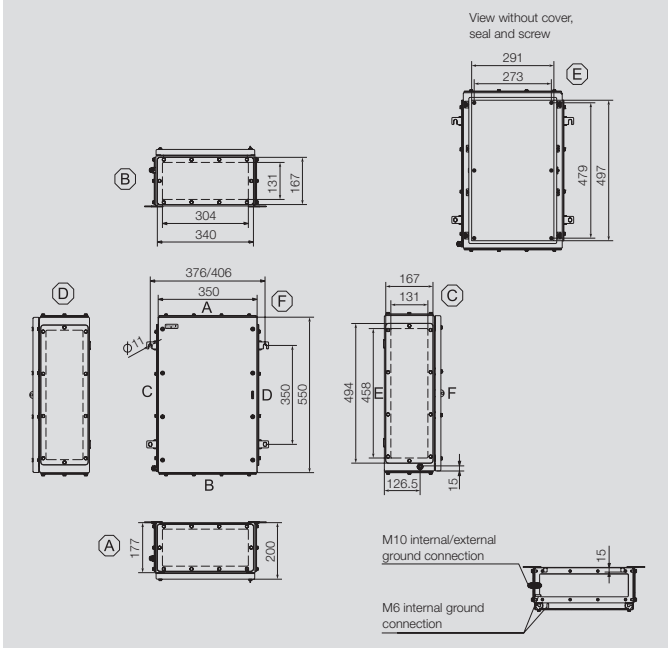
  

Sheet steel nickel plated Spacer M6 x 8, set of 2	Order No.
15 mm length	3896100000
20 mm length	3896200000
30 mm length	3896300000

Padlock with two keys	Order No.
Stainless steel, 1.4301	0905680000

**Note** System accessories can be found after the Klippon® TB QL product pages.



Max. number of terminals (industry)

Max. number of terminals (industry)	vertical	horizontal
2,5 mm <sup>2</sup>	2x91	4x52
4 mm <sup>2</sup>	2x76	4x43
6 mm <sup>2</sup>	2x58	4x32
10 mm <sup>2</sup>	2x46	3x26
16 mm <sup>2</sup>	1x39	3x22
35 mm <sup>2</sup>	1x29	2x16

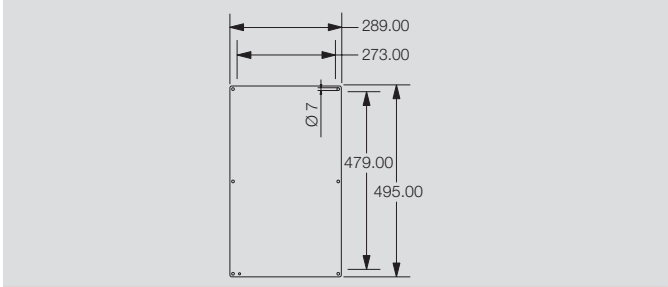
**Note** \*For enclosure versions with zero, one or two gland plates, the horizontal gap between the mounting feet is reduced by 30 mm. Assembly with terminal blocks provides for 10 mm clearance to the ends of the mounting rail. Recommended order: TS35 mounting rail (screw terminal) WDU 2.5 1020000000 / (tension clamp terminal) ZDU 2.5 1608510000 / (tension clamp terminal) PDU 2.5 1896110000 TS32 mounting rail (screw terminal) SAK 2.5 0279660000 TS15 mounting rail (screw terminal) AKZ 2.5 0697160000

Number of cable entries

Number of cable entries	A / B	C / D
M12	45	70
M16	30	48
M20	20	30
M25	17	26
M32	9	14
M40	7	12
M50	3	5
M63	3	4
M75	2	3

**Note** Our IP68 brass cable glands serve as a reference for these recommended values.

Dimensions of mounting plate





Height/Width/Depth 620 / 450 / 150 mm

**Ordering data**

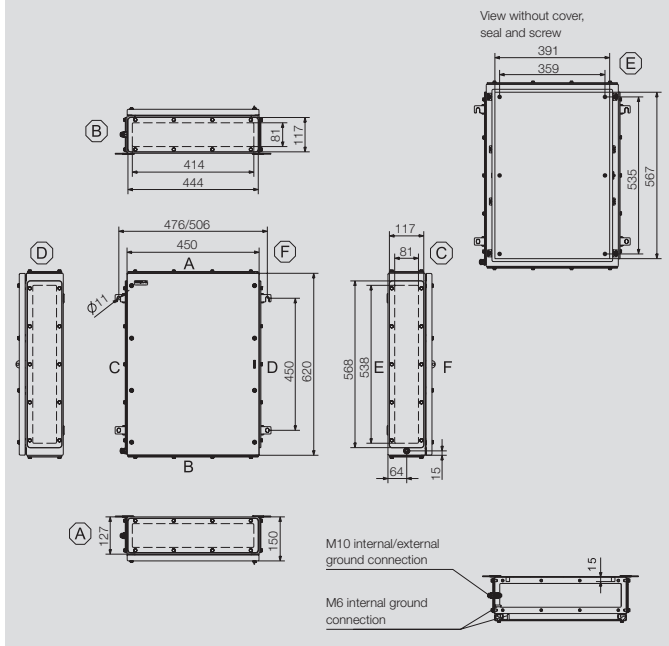
Stainless steel 1.4404 316L, electropolished	Order No.
1 gland plate - positioned bottom side (B)	<b>1195310000</b>
2 gland plates - positioned top and bottom sides (A & B)	<b>1195320000</b>
3 gland plates - positioned bottom, left and right sides (B, C & D)	<b>1195330000</b>
4 gland plates - positioned top, bottom, left and right sides (A, B, C & D)	<b>1195340000</b>

**Note** Painted sheet steel enclosure available on request. Standard colour is similar to RAL 7035.

**Accessories**

Mounting plate	Order No.
Steel sheet, zintec	<b>1194020000</b>
Stainless steel, 1.4301	<b>1193890000</b>
<b>Stainless steel-Spacer M6 x 8, set of 4</b>	
10 mm length	<b>0935110000</b>
15 mm length	<b>0935120000</b>
20 mm length	<b>0935130000</b>
30 mm length	<b>0935140000</b>
<b>Sheet steel nickel plated Spacer M6 x 8, set of 2</b>	
15 mm length	<b>3896100000</b>
20 mm length	<b>3896200000</b>
30 mm length	<b>3896300000</b>
<b>Padlock with two keys</b>	
Stainless steel, 1.4301	<b>0905680000</b>

**Note** System accessories can be found after the Klippon® TB QL product pages.



**Max. number of terminals (industry)**

Max. number of terminals (industry)	vertical	horizontal
2,5 mm²	3x105	5x71
4 mm²	3x88	5x59
6 mm²	3x66	4x45
10 mm²	2x53	4x36
16 mm²	2x44	3x30
35 mm²	1x33	2x22

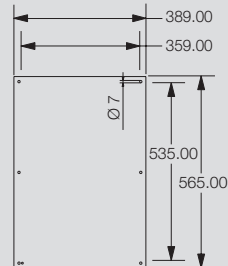
**Note** \*For enclosure versions with zero, one or two gland plates, the horizontal gap between the mounting feet is reduced by 30 mm. Assembly with terminal blocks provides for 10 mm clearance to the ends of the mounting rail. Recommended order: TS35 mounting rail (screw terminal) WDU 2.5 1020000000 / (tension clamp terminal) ZDU 2.5 1608510000 / (tension clamp terminal) PDU 2.5 1896110000 TS32 mounting rail (screw terminal) SAK 2.5 0279660000 TS15 mounting rail (screw terminal) AKZ 2.5 0697160000

**Number of cable entries**

Number of cable entries	A / B	C / D
M12	38	48
M16	21	27
M20	18	24
M25	8	10
M32	6	9
M40	5	7
M50	4	6
M63	0	0
M75	0	0

**Note** Our IP68 brass cable glands serve as a reference for these recommended values.

**Dimensions of mounting plate**



Klippon® TB MH 624520

Depth 200 mm



Height/Width/Depth 620 / 450 / 200 mm

Ordering data

Stainless steel 1.4404 316L, electropolished	Order No.
1 gland plate - positioned bottom side (B)	1195360000
2 gland plates - positioned top and bottom sides (A & B)	1195370000
3 gland plates - positioned bottom, left and right sides (B, C & D)	1195380000
4 gland plates - positioned top, bottom, left and right sides (A, B, C & D)	1195390000

**Note** Painted sheet steel enclosure available on request. Standard colour is similar to RAL 7035.

Accessories

Mounting plate	Order No.
Steel sheet, zintec	1194020000
Stainless steel, 1.4301	1193890000

Stainless steel-Spacer M6 x 8, set of 4	Order No.
10 mm length	0935110000
15 mm length	0935120000
20 mm length	0935130000
30 mm length	0935140000

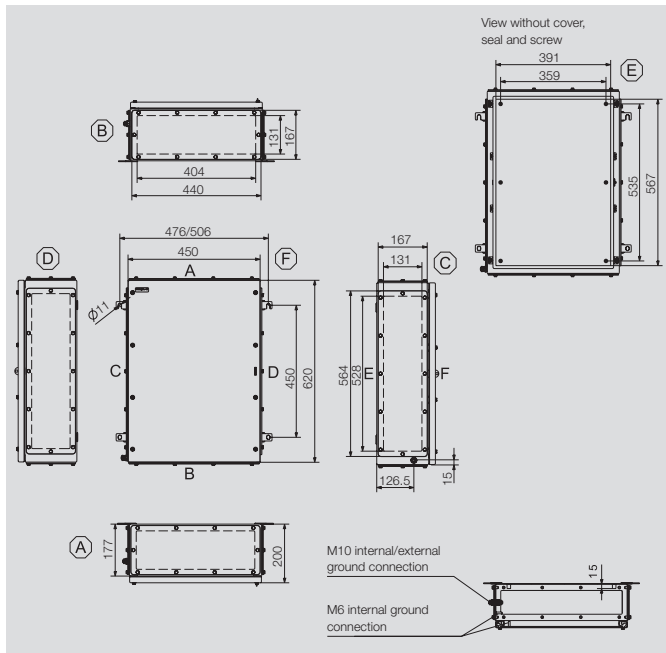
  

Sheet steel nickel plated Spacer M6 x 8, set of 2	Order No.
15 mm length	3896100000
20 mm length	3896200000
30 mm length	3896300000

Padlock with two keys	Order No.
Stainless steel, 1.4301	0905680000

**Note** System accessories can be found after the Klippon® TB QL product pages.



Max. number of terminals (industry)

Max. number of terminals (industry)	vertical	horizontal
2,5 mm <sup>2</sup>	3x105	5x71
4 mm <sup>2</sup>	3x88	5x59
6 mm <sup>2</sup>	3x66	4x45
10 mm <sup>2</sup>	2x53	4x36
16 mm <sup>2</sup>	2x44	3x30
35 mm <sup>2</sup>	1x33	2x22

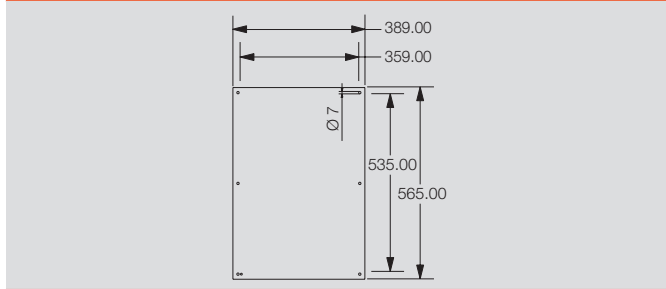
**Note** \*For enclosure versions with zero, one or two gland plates, the horizontal gap between the mounting feet is reduced by 30 mm. Assembly with terminal blocks provides for 10 mm clearance to the ends of the mounting rail. Recommended order: TS35 mounting rail (screw terminal) WDU 2.5 1020000000 / (tension clamp terminal) ZDU 2.5 1608510000 / (tension clamp terminal) PDU 2.5 1896110000 TS32 mounting rail (screw terminal) SAK 2.5 0279660000 TS15 mounting rail (screw terminal) AKZ 2.5 0697160000

Number of cable entries

Number of cable entries	A / B	C / D
M12	63	80
M16	42	54
M20	27	36
M25	23	30
M32	12	17
M40	10	14
M50	4	6
M63	4	5
M75	3	4

**Note** Our IP68 brass cable glands are used as the reference for these guideline values.

Dimensions of mounting plate





Height/Width/Depth 762 / 508 / 150 mm

**Ordering data**

Stainless steel 1.4404 316L, electropolished	Order No.
1 gland plate - positioned bottom side (B)	1195410000
2 gland plates - positioned top and bottom sides (A & B)	1195420000
3 gland plates - positioned bottom, left and right sides (B, C & D)	1195430000
4 gland plates - positioned top, bottom, left and right sides (A, B, C & D)	1195440000

**Note** Painted sheet steel enclosure available on request. Standard colour is similar to RAL 7035.

**Accessories**

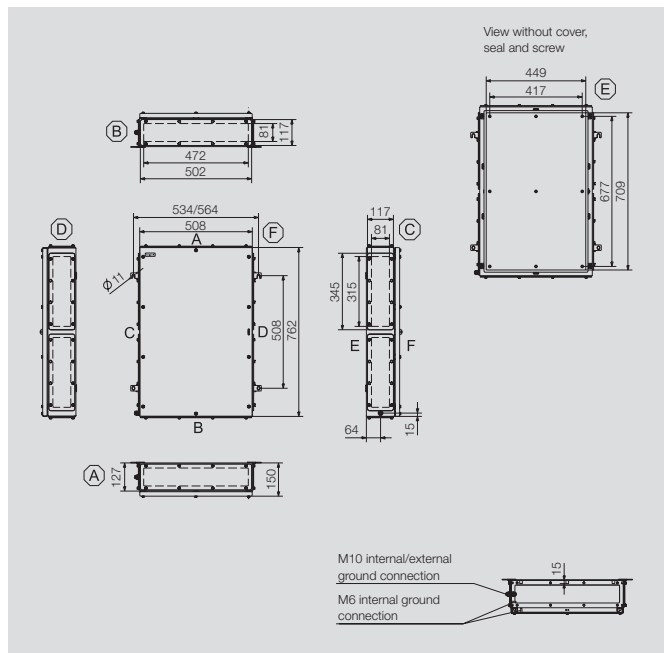
Mounting plate	Order No.
Steel sheet, zintec	1194030000
Stainless steel, 1.4301	1193900000

Stainless steel-Spacer M6 x 8, set of 4	Order No.
10 mm length	0935110000
15 mm length	0935120000
20 mm length	0935130000
30 mm length	0935140000

Sheet steel nickel plated Spacer M6 x 8, set of 2	Order No.
15 mm length	3896100000
20 mm length	3896200000
30 mm length	3896300000

Padlock with two keys	Order No.
Stainless steel, 1.4301	0905680000

**Note** System accessories can be found after the Klippon® TB QL product pages.



**Max. number of terminals (industry)**

Max. number of terminals (industry)	vertical	horizontal
2,5 mm <sup>2</sup>	4x132	7x82
4 mm <sup>2</sup>	4x111	6x69
6 mm <sup>2</sup>	3x83	5x52
10 mm <sup>2</sup>	3x67	5x42
16 mm <sup>2</sup>	2x56	4x35
35 mm <sup>2</sup>	2x42	3x26

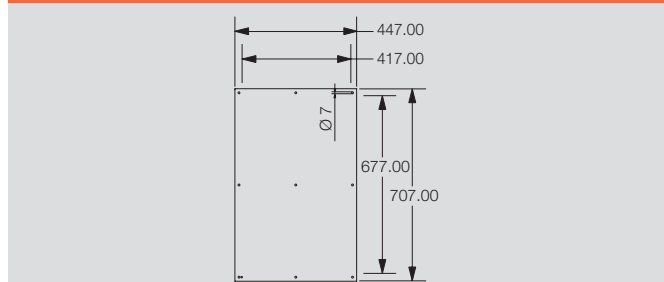
**Note** \*For enclosure versions with zero, one or two gland plates, the horizontal gap between the mounting feet is reduced by 30 mm. Assembly with terminal blocks provides for 10 mm clearance to the ends of the mounting rail. Recommended order: TS35 mounting rail (screw terminal) WDU 2.5 1020000000 / (tension clamp terminal) ZDU 2.5 1608510000 / (tension clamp terminal) PDU 2.5 1896110000 TS32 mounting rail (screw terminal) SAK 2.5 0279660000 TS15 mounting rail (screw terminal) AKZ 2.5 0697160000

**Number of cable entries**

Number of cable entries	A / B	C / D
M12	42	58
M16	24	32
M20	21	26
M25	9	12
M32	7	10
M40	6	8
M50	5	6
M63	0	0
M75	0	0

**Note** Our IP68 brass cable glands serve as a reference for these recommended values.

**Dimensions of mounting plate**



Klippon® TB MH 765020

Depth 200 mm



Height/Width/Depth 762 / 508 / 200 mm

Ordering data

Stainless steel 1.4404 316L, electropolished	Order No.
1 gland plate - positioned bottom side (B)	1195460000
2 gland plates - positioned top and bottom sides (A & B)	1195470000
3 gland plates - positioned bottom, left and right sides (B, C & D)	1195480000
4 gland plates - positioned top, bottom, left and right sides (A, B, C & D)	1195490000

**Note** Painted sheet steel enclosure available on request. Standard colour is similar to RAL 7035.

Accessories

Mounting plate	Order No.
Steel sheet, zintec	1194030000
Stainless steel, 1.4301	1193900000

Stainless steel-Spacer M6 x 8, set of 4	Order No.
10 mm length	0935110000
15 mm length	0935120000
20 mm length	0935130000
30 mm length	0935140000

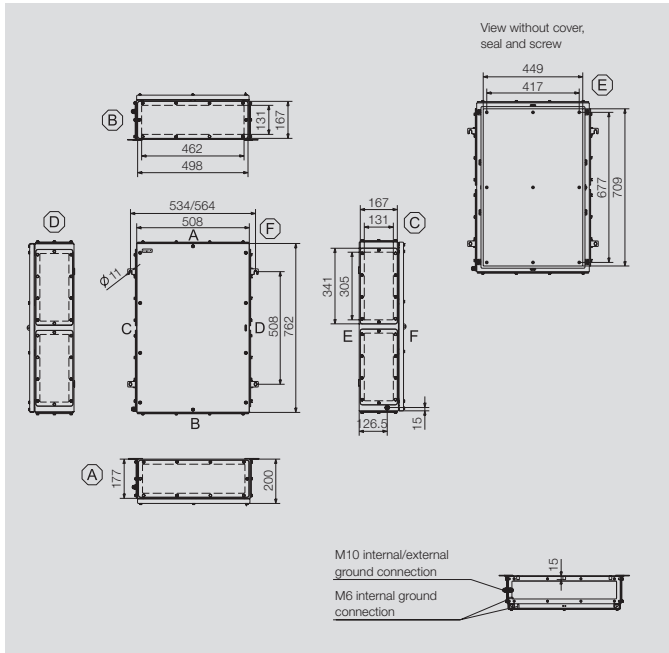
  

Sheet steel nickel plated Spacer M6 x 8, set of 2	Order No.
15 mm length	3896100000
20 mm length	3896200000
30 mm length	3896300000

Padlock with two keys	Order No.
Stainless steel, 1.4301	0905680000

**Note** System accessories can be found after the Klippon® TB QL product pages.



Max. number of terminals (industry)

Max. number of terminals (industry)	vertical	horizontal
2,5 mm <sup>2</sup>	4x132	7x82
4 mm <sup>2</sup>	4x111	6x69
6 mm <sup>2</sup>	3x83	5x52
10 mm <sup>2</sup>	3x67	5x42
16 mm <sup>2</sup>	2x56	4x35
35 mm <sup>2</sup>	2x42	3x26

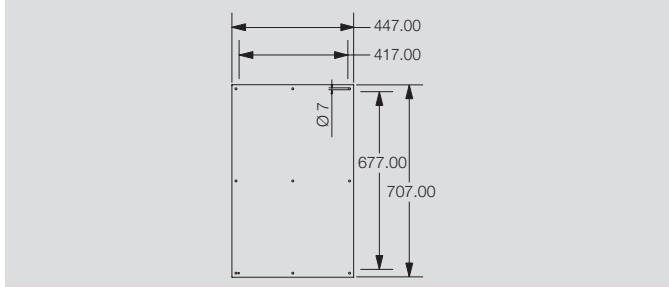
**Note** \*For enclosure versions with zero, one or two gland plates, the horizontal gap between the mounting feet is reduced by 30 mm. Assembly with terminal blocks provides for 10 mm clearance to the ends of the mounting rail. Recommended order: TS35 mounting rail (screw terminal) WDU 2.5 1020000000 / (tension clamp terminal) ZDU 2.5 1608510000 / (tension clamp terminal) PDU 2.5 1896110000 TS32 mounting rail (screw terminal) SAK 2.5 0279660000 TS15 mounting rail (screw terminal) AKZ 2.5 0697160000

Number of cable entries

Number of cable entries	A / B	C / D
M12	70	96
M16	48	64
M20	32	40
M25	26	34
M32	14	18
M40	12	14
M50	5	6
M63	4	6
M75	3	4

**Note** Our IP68 brass cable glands are used as the reference for these guideline values.

Dimensions of mounting plate





Height/Width/Depth 914 / 610 / 150 mm

**Ordering data**

Stainless steel 1.4404 316L, electropolished	Order No.
1 gland plate - positioned bottom side (B)	1195510000
2 gland plates - positioned top and bottom sides (A & B)	1195520000
3 gland plates - positioned bottom, left and right sides (B, C & D)	1195530000
4 gland plates - positioned top, bottom, left and right sides (A, B, C & D)	1195540000

**Note** Painted sheet steel enclosure available on request. Standard colour is similar to RAL 7035.

**Accessories**

Mounting plate	Order No.
Steel sheet, zintec	1194040000
Stainless steel, 1.4301	1193910000

Stainless steel-Spacer M6 x 8, set of 4	Order No.
10 mm length	0935110000
15 mm length	0935120000
20 mm length	0935130000
30 mm length	0935140000

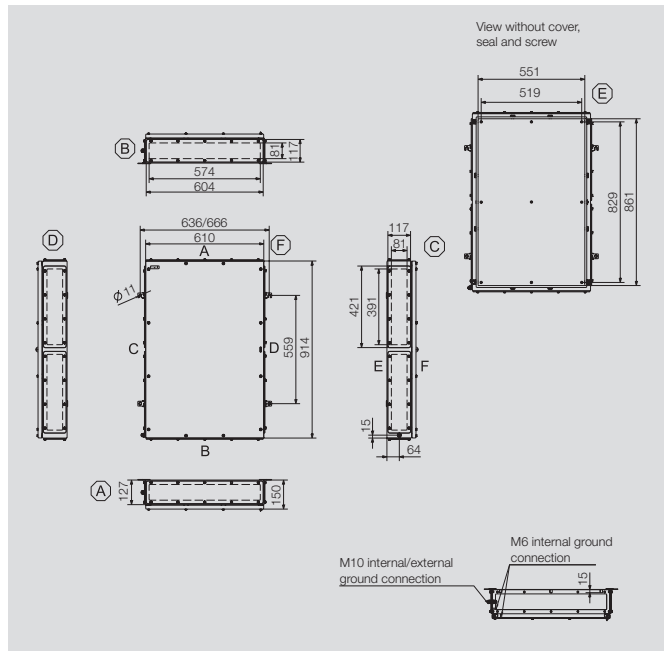
  

Sheet steel nickel plated Spacer M6 x 8, set of 2	Order No.
15 mm length	3896100000
20 mm length	3896200000
30 mm length	3896300000

Padlock with two keys	Order No.
Stainless steel, 1.4301	0905680000

**Note** System accessories can be found after the Klippon® TB QL product pages.



**Max. number of terminals (industry)**

Max. number of terminals (industry)	vertical	horizontal
2,5 mm <sup>2</sup>	5x161	8x102
4 mm <sup>2</sup>	4x135	7x85
6 mm <sup>2</sup>	4x102	7x64
10 mm <sup>2</sup>	3x82	6x52
16 mm <sup>2</sup>	3x68	5x43
35 mm <sup>2</sup>	2x51	4x32

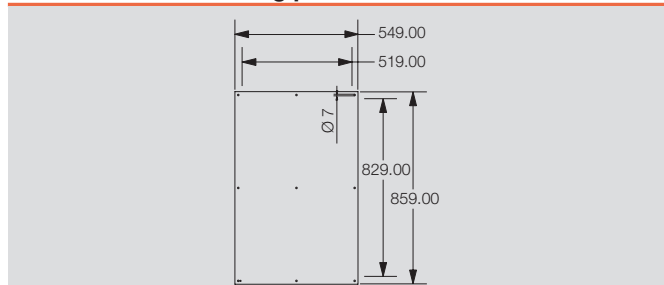
**Note** \*For enclosure versions with zero, one or two gland plates, the horizontal gap between the mounting feet is reduced by 30 mm. Assembly with terminal blocks provides for 10 mm clearance to the ends of the mounting rail. Recommended order: TS35 mounting rail (screw terminal) WDU 2.5 1020000000 / (tension clamp terminal) ZDU 2.5 1608510000 / (tension clamp terminal) PDU 2.5 1896110000 TS32 mounting rail (screw terminal) SAK 2.5 0279660000 TS15 mounting rail (screw terminal) AKZ 2.5 0697160000

**Number of cable entries**

Number of cable entries	A / B	C / D
M12	53	70
M16	29	40
M20	25	34
M25	11	14
M32	9	12
M40	8	10
M50	6	8
M63	0	0
M75	0	0

**Note** Our IP68 brass cable glands serve as a reference for these recommended values.

**Dimensions of mounting plate**





Klippon® TB MH 916120

Depth 200 mm



Height/Width/Depth 914 / 610 / 200 mm

Ordering data

Stainless steel 1.4404 316L, electropolished	Order No.
1 gland plate - positioned bottom side (B)	1195560000
2 gland plates - positioned top and bottom sides (A & B)	1195570000
3 gland plates - positioned bottom, left and right sides (B, C & D)	1195580000
4 gland plates - positioned top, bottom, left and right sides (A, B, C & D)	1195590000

**Note** Painted sheet steel enclosure available on request. Standard colour is similar to RAL 7035.

Accessories

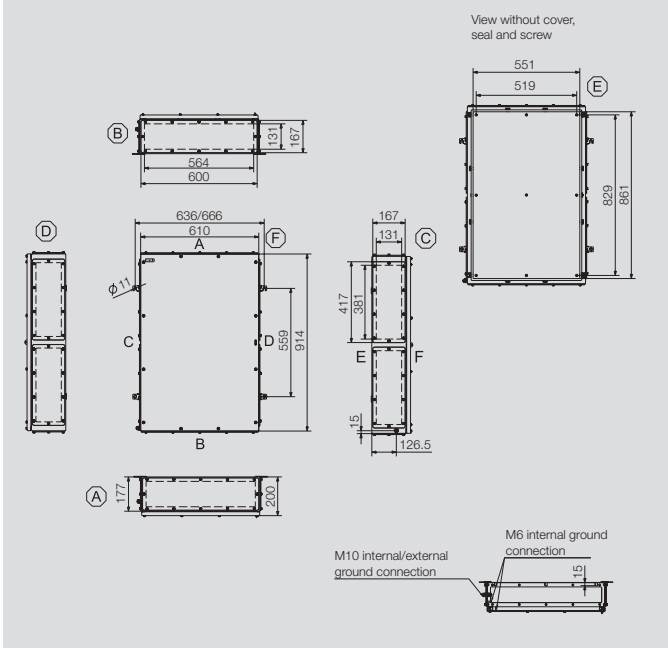
Mounting plate	Order No.
Steel sheet, zintec	1194040000
Stainless steel, 1.4301	1193910000

Stainless steel-Spacer M6 x 8, set of 4	Order No.
10 mm length	0935110000
15 mm length	0935120000
20 mm length	0935130000
30 mm length	0935140000

Sheet steel nickel plated Spacer M6 x 8, set of 2	Order No.
15 mm length	3896100000
20 mm length	3896200000
30 mm length	3896300000

Padlock with two keys	Order No.
Stainless steel, 1.4301	0905680000

**Note** System accessories can be found after the Klippon® TB QL product pages.



Max. number of terminals (industry)

Max. number of terminals (industry)	vertical	horizontal
2,5 mm <sup>2</sup>	5x161	8x102
4 mm <sup>2</sup>	4x135	7x85
6 mm <sup>2</sup>	4x102	7x64
10 mm <sup>2</sup>	3x82	6x52
16 mm <sup>2</sup>	3x68	5x43
35 mm <sup>2</sup>	2x51	4x32

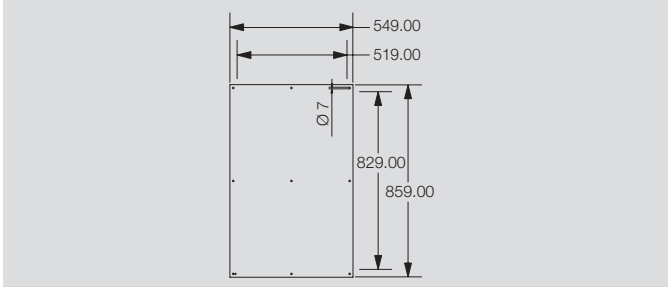
**Note** \*For enclosure versions with zero, one or two gland plates, the horizontal gap between the mounting feet is reduced by 30 mm. Assembly with terminal blocks provides for 10 mm clearance to the ends of the mounting rail. Recommended order: TS35 mounting rail (screw terminal) WDU 2.5 1020000000 / (tension clamp terminal) ZDU 2.5 1608510000 / (tension clamp terminal) PDU 2.5 1896110000 TS32 mounting rail (screw terminal) SAK 2.5 0279660000 TS15 mounting rail (screw terminal) AKZ 2.5 0697160000

Number of cable entries

Number of cable entries	A / B	C / D
M12	88	116
M16	58	80
M20	38	52
M25	33	42
M32	18	24
M40	15	20
M50	6	8
M63	5	6
M75	4	6

**Note** Our IP68 brass cable glands are used as the reference for these guideline values.

Dimensions of mounting plate





Height/Width/Depth 980 / 740 / 200 mm

**Ordering data**

Stainless steel 1.4404 316L, electropolished	Order No.
1 gland plate - positioned bottom side (B)	1195610000
2 gland plates - positioned top and bottom sides (A & B)	1195620000
3 gland plates - positioned bottom, left and right sides (B, C & D)	1195630000
4 gland plates - positioned top, bottom, left and right sides (A, B, C & D)	1195640000

**Note** Painted sheet steel enclosure available on request. Standard colour is similar to RAL 7035.

**Accessories**

Mounting plate	Order No.
Steel sheet, zintec	1194050000
Stainless steel, 1.4301	1193920000

Stainless steel-Spacer M6 x 8, set of 4	Order No.
10 mm length	0935110000
15 mm length	0935120000
20 mm length	0935130000
30 mm length	0935140000

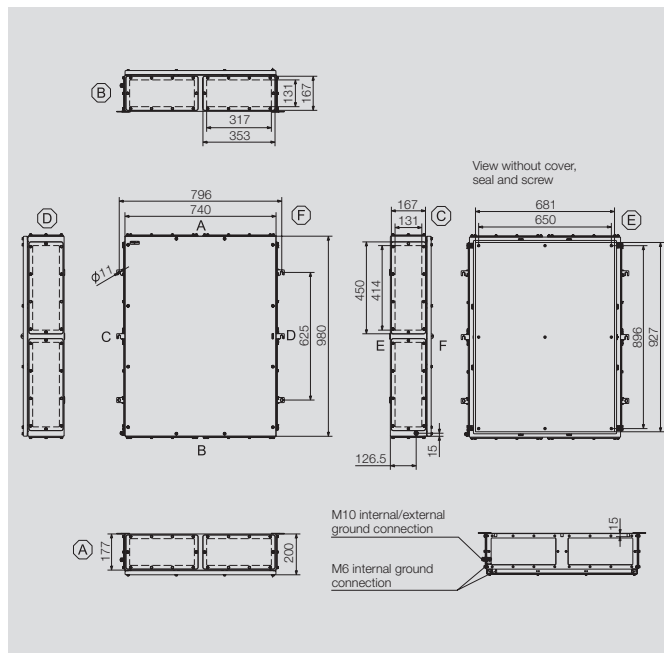
  

Sheet steel nickel plated Spacer M6 x 8, set of 2	Order No.
15 mm length	3896100000
20 mm length	3896200000
30 mm length	3896300000

Padlock with two keys	Order No.
Stainless steel, 1.4301	0905680000

**Note** System accessories can be found after the Klippon® TB QL product pages.



**Max. number of terminals (industry)**

Max. number of terminals (industry)	vertical	horizontal
2,5 mm <sup>2</sup>	6x174	9x127
4 mm <sup>2</sup>	6x146	8x106
6 mm <sup>2</sup>	5x110	7x80
10 mm <sup>2</sup>	4x88	6x64
16 mm <sup>2</sup>	4x74	5x54
35 mm <sup>2</sup>	3x55	4x40

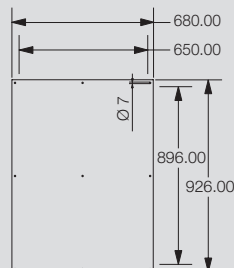
**Note** \*For enclosure versions with zero, one or two gland plates, the horizontal gap between the mounting feet is reduced by 30 mm. Assembly with terminal blocks provides for 10 mm clearance to the ends of the mounting rail. Recommended order: TS35 mounting rail (screw terminal) WDU 2.5 1020000000 / (tension clamp terminal) ZDU 2.5 1608510000 / (tension clamp terminal) PDU 2.5 1896110000 TS32 mounting rail (screw terminal) SAK 2.5 0279660000 TS15 mounting rail (screw terminal) AKZ 2.5 0697160000

**Number of cable entries**

Number of cable entries	A / B	C / D
M12	96	126
M16	64	84
M20	42	54
M25	36	48
M32	20	26
M40	16	22
M50	6	10
M63	6	8
M75	4	6

**Note** Our IP68 brass cable glands serve as a reference for these recommended values.

**Dimensions of mounting plate**





## Klippon® TB QL – Quarter Lock

### Steel enclosures for use within harsh environments

The Klippon® TB range of enclosures delivers an outstanding performance in the severest conditions and meets the needs of the increasingly stringent requirements of hazardous area applications that can be found in particular in the process and energy industries. The new Klippon® TB QL range offers further enhancements to an already successful and market leading product range.

*Information about the System accessories – Page 69.*

### The Klippon® TB QL range of enclosures offers the following advantages:

- Available in stainless steel or sheet steel painted
- In 12 sizes and 3 standard depths
- With up to 4 gland plates; optionally without gland plates
- Gland plate fixing.
- Quarter lock with slot insert as standard for lid fixing
- Gasket compression is controlled
- Silicone gasket for extreme temperature requirements
- IP66
- Earth stud fitted to body and lid
- Mounting lugs pre fitted and ensure secure product mounting

Our assembly service can supply these enclosures preassembled with terminals and cable glands according to customer requirements.



Overview of enclosures

Description	Length x Width x Depth in mm	1 Gland Plates (Bottom)	2 Gland Plates (Top+Bottom)	3 Gland Plates (Bottom+Sides)	4 Gland Plates (All Sides)
KTB QL 221513 S4E_*	229 x 152 x 133	1199860000	1199870000	1199880000	1199890000
KTB QL 262615 S4E_*	260 x 260 x 150	1199910000	1199920000	1199930000	1199940000
KTB QL 262620 S4E_*	260 x 260 x 200	1199960000	1199970000	1199980000	1199990000
KTB QL 303015 S4E_*	306 x 306 x 150	1200020000	1200030000	1200040000	1200050000
KTB QL 303020 S4E_*	306 x 306 x 200	1200070000	1200080000	1200090000	1200100000
KTB QL 352615 S4E_*	350 x 260 x 150	1200120000	1200130000	1200140000	1200150000
KTB QL 352620 S4E_*	350 x 260 x 200	1200170000	1200180000	1200190000	1200210000
KTB QL 403015 S4E_*	400 x 300 x 150	1200230000	1200240000	1200250000	1200260000
KTB QL 403020 S4E_*	400 x 300 x 200	1200280000	1200290000	1200310000	1200320000
KTB QL 453815 S4E_*	458 x 382 x 150	1200340000	1200350000	1200360000	1200370000
KTB QL 453820 S4E_*	458 x 382 x 200	1200390000	1200410000	1200420000	1200430000
KTB QL 484815 S4E_*	480 x 480 x 150	1200450000	1200460000	1200470000	1200480000
KTB QL 484820 S4E_*	480 x 480 x 200	1200510000	1200520000	1200530000	1200540000
KTB QL 553515 S4E_*	550 x 350 x 150	1200560000	1200570000	1200580000	1200590000
KTB QL 553520 S4E_*	550 x 350 x 200	1200620000	1200630000	1200640000	1200650000
KTB QL 624515 S4E_*	620 x 450 x 150	1200670000	1200680000	1200690000	1200710000
KTB QL 624520 S4E_*	620 x 450 x 200	1200730000	1200740000	1200750000	1200760000
KTB QL 765015 S4E_*	762 x 508 x 150	1200780000	1200790000	1200810000	1200820000
KTB QL 765020 S4E_*	762 x 508 x 200	1200840000	1200850000	1200860000	1200870000
KTB QL 916115 S4E_*	914 x 610 x 150	1200890000	1200910000	1200920000	1200930000
KTB QL 916120 S4E_*	914 x 610 x 200	1200950000	1200960000	1200970000	1200980000
KTB QL 987420 S4E_*	980 x 740 x 200	1201010000	1201020000	1201030000	1201040000
<b>Note</b>	* Placeholder for the amount of gland plates (1, 2, 3, 4). Klippon® TB QL enclosures without gland plates are available on request.				

Technical Data

Material **	Stainless steel 1.4404 (316L) 1,5 mm
Surface	electropolished
IP Rating	IP66
NEMA Rating	3, 4x, 12
Gland plates	1-4 (fixed with M6 hexagon head screws with 10 mm slot width), optionally without gland plate
Thickness of gland plate	3 mm (optionally up to 20 mm available upon request)
Earthing inside	Enclosure body and lid: welded-on M6 stainless-steel earthing stud
Earthing outside	Continuous M10 brass earthing stud (optionally with stainless-steel earthing stud)
Equipment mounting	4 or 6 mounting pillars with M6 threaded hole for fixing the mounting plate or terminal rail
Enclosure mounting	4 welded-on mounting feet with 11-mm holes (2 slotted and 2 cross-shaped opening)
Lid opening	fully removable, lid opening: 130°
Lid fixing	quarter lock with slot insert (other lock inserts available upon request)
Impact resistance	7 J ATEX applications, 10 J Industrial applications
Gasket material	Silicone
Operating temperature range	-60 °C to +135 °C
Torque screws of lid and gland plates*	2,5 Nm
<b>Note</b>	* Please use our hexagon screwdriver with 10 mm slot width (9009070000) ** Sheet steel painted enclosures available on request.

Approvals empty enclosures






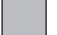


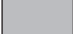



ATEX certificate	KEMA 10ATEX0047 U
ATEX marking	II 2 G Ex e IIC Gb II 2 D Ex tb IIIC Db IP66
IECEX certificate	IECEX KEM 10.0016U
IECEX marking	Ex e IIC Gb Ex tb IIIC Db IP66
GOST Ex	POCC DE.ME92.B02036
GOST R	Approvals are pending
cULus	E243298
Germanischer Lloyd	11534 - 10 HH
Russian Maritime Register	10.04095.250
<b>Note</b>	The enclosure range Klippon® TB QL can be assembled with terminals or other approved equipment by our Customer Service

Approvals terminal enclosures

ATEX certificate	KEMA 10ATEX0051
ATEX marking	II 2 G Ex eb IIC T6...T4 II 1 G Ex ia IIC T6...T4 II 2(1) G Ex eb ia IIC T6...T4 II 2 D Ex tb IIIC T85 °C...T135 °C IP66
IECEX certificate	IECEX KEM 10.0020
IECEX marking	Ex eb IIC T... Ex ia IIC T... Ex eb ia IIC T... Ex tb IIIC T85 °C...T135 °C IP66
<b>Note</b>	Labelling depends on the application layout.

# Overview of dimensions

## Klippon® TB QL – Quarter Lock

	Dimensions [mm] Height x width x depth	Weight [g]			
		1 gland plate	2 gland plate	3 gland plate	4 gland plate
	229 x 152 x 133	3060	3360	3740	4060
	260 x 260 x 150	4840	5510	5780	6680
	260 x 260 x 200	5620	6400	6840	8200
	306 x 306 x 150	5960	6580	7060	7660
	306 x 306 x 200	6800	7720	8320	9180
	350 x 260 x 150	5780	6700	7600	9700
	350 x 260 x 200	6700	7700	8380	10100
	400 x 300 x 150	7200	8300	8380	11100
	400 x 300 x 200	7900	9200	10400	11300
	458 x 382 x 150	9000	9900	10700	12700
	458 x 382 x 200	10240	10830	12500	14110
	480 x 480 x 150	11900	13800	15200	17600
	480 x 480 x 200	12420	15900	17700	16080
	550 x 350 x 150	8500	9500	10800	12100
	550 x 350 x 200	11060	11500	13800	14720
	620 x 450 x 150	12800	14100	15600	17100
	620 x 450 x 200	14240	15830	17360	20350
	762 x 508 x 150	17100	18600	19700	20800
	762 x 508 x 200	18120	19800	21200	22700
	914 x 610 x 150	20700	22200	24100	26000
	914 x 610 x 200	23840	24600	26400	28200
	980 x 740 x 200	34800	36300	36100	39900

**Note:** Additional enclosure sizes available on request. The weights given are net weights. Enclosures without flange plates are available on request.



Height/Width/Depth 229 / 152 / 133 mm

**Ordering data**

Stainless steel 1.4404 316L, electropolished	Order No.
1 gland plate - bottom	1199860000
2 gland plates - positioned top and bottom sides (A & B)	1199870000
3 gland plates - positioned bottom, left and right sides (B, C & D)	1199880000
4 gland plates - positioned top, bottom, left and right sides (A, B, C & D)	1199890000

**Note** Painted sheet steel enclosure available on request. Standard colour is similar to RAL 7035.

**Accessories**

Mounting plate	Order No.
Steel sheet, zintec	1199330000
Stainless steel, 1.4301	1193810000

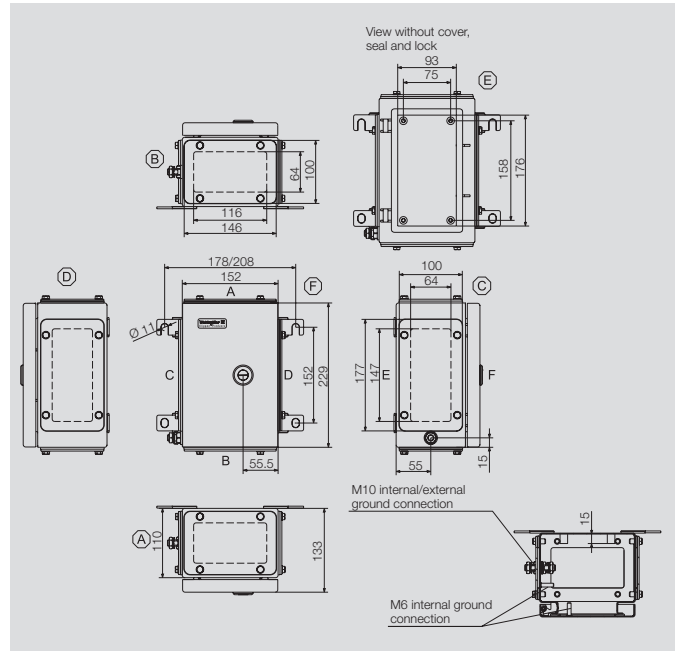
  

Stainless steel-Spacer M6 x 8, set of 4	Order No.
10 mm length	0935110000
15 mm length	0935120000
20 mm length	0935130000
30 mm length	0935140000

Sheet steel nickel plated Spacer M6 x 8, set of 2	Order No.
15 mm length	3896100000
20 mm length	3896200000
30 mm length	3896300000

**Note** System accessories can be found after the Klippon® TB QL product pages.



**Max. number of terminals (industry)**

Max. number of terminals (industry)	vertical	horizontal
2,5 mm <sup>2</sup>	1x29	1x15
4 mm <sup>2</sup>		1x13
6 mm <sup>2</sup>		1x9
10 mm <sup>2</sup>		1x7
16 mm <sup>2</sup>		1x6
35 mm <sup>2</sup>		

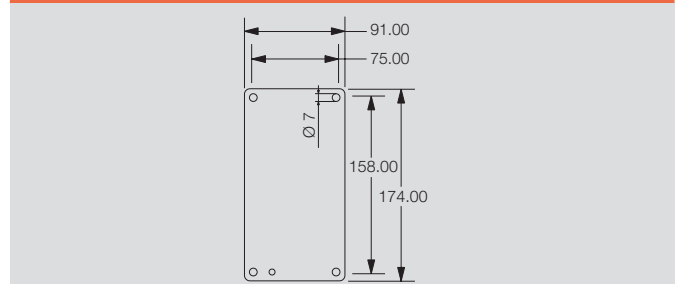
**Note** \*For enclosure versions with zero, one or two gland plates, the horizontal gap between the mounting feet is reduced by 30 mm. Assembly with terminal blocks provides for 10 mm clearance to the ends of the mounting rail. Recommended order: TS35 mounting rail (screw terminal) WDU 2.5 1020000000 / (tension clamp terminal) ZDU 2.5 1608510000 / (tension clamp terminal) PDU 2.5 1896110000 TS32 mounting rail (screw terminal) SAK 2.5 0279660000 TS15 mounting rail (screw terminal) AKZ 2.5 0697160000

**Number of cable entries**

Number of cable entries	A / B	C / D
M12	6	8
M16	5	6
M20	2	3
M25	2	2
M32	1	2
M40	1	2
M50	0	0
M63	0	0
M75	0	0

**Note** Our IP68 brass cable glands serve as a reference for these recommended values.

**Dimensions of mounting plate**





Height/Width/Depth 260 / 260 / 150 mm

**Ordering data**

Stainless steel 1.4404 316L, electropolished	Order No.
1 gland plate - bottom	1199910000
2 gland plates - positioned top and bottom sides (A & B)	1199920000
3 gland plates - positioned bottom, left and right sides (B, C & D)	1199930000
4 gland plates - positioned top, bottom, left and right sides (A, B, C & D)	1199940000

**Note** Painted sheet steel enclosure available on request. Standard colour is similar to RAL 7035.

**Accessories**

Mounting plate	Order No.
Steel sheet, zintec	1193950000
Stainless steel, 1.4301	1193820000

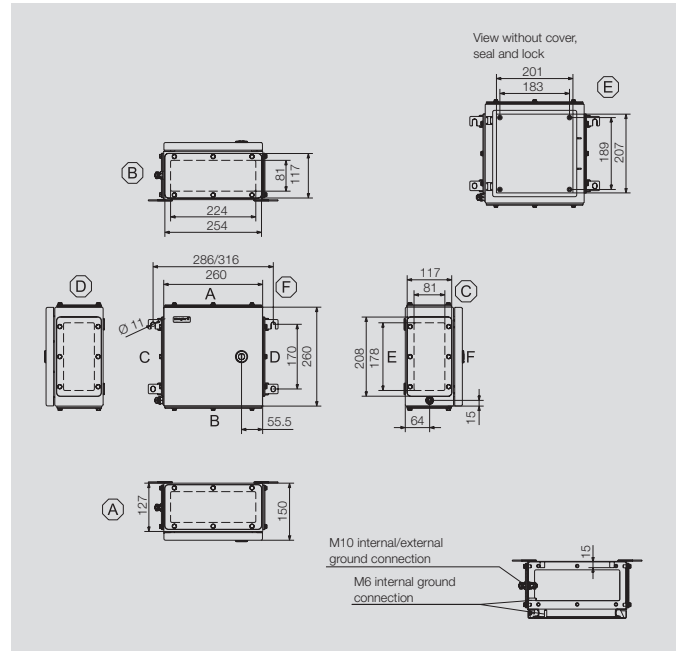
  

Stainless steel-Spacer M6 x 8, set of 4	Order No.
10 mm length	0935110000
15 mm length	0935120000
20 mm length	0935130000
30 mm length	0935140000

Sheet steel nickel plated Spacer M6 x 8, set of 2	Order No.
15 mm length	3896100000
20 mm length	3896200000
30 mm length	3896300000

**Note** System accessories can be found after the Klippon® TB QL product pages.



**Max. number of terminals (industry)**

Max. number of terminals (industry)	vertical	horizontal
2,5 mm <sup>2</sup>	2x35	2x34
4 mm <sup>2</sup>	1x30	1x29
6 mm <sup>2</sup>	1x22	1x22
10 mm <sup>2</sup>	1x18	1x17
16 mm <sup>2</sup>	1x15	1x14
35 mm <sup>2</sup>		

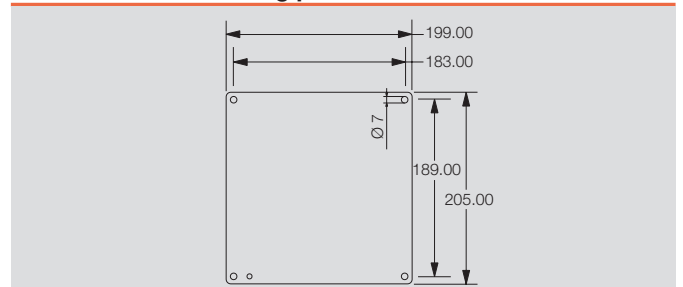
**Note** \*For enclosure versions with zero, one or two gland plates, the horizontal gap between the mounting feet is reduced by 30 mm. Assembly with terminal blocks provides for 10 mm clearance to the ends of the mounting rail. Recommended order: TS35 mounting rail (screw terminal) WDU 2.5 1020000000 / (tension clamp terminal) ZDU 2.5 1608510000 / (tension clamp terminal) PDU 2.5 1896110000 TS32 mounting rail (screw terminal) SAK 2.5 0279660000 TS15 mounting rail (screw terminal) AKZ 2.5 0697160000

**Number of cable entries**

Number of cable entries	A / B	C / D
M12	20	15
M16	11	8
M20	9	7
M25	4	3
M32	3	2
M40	3	2
M50	2	2
M63	0	0
M75	0	0

**Note** Our IP68 brass cable glands are used as the reference for these guideline values.

**Dimensions of mounting plate**







Height/Width/Depth 260 / 260 / 200 mm

**Ordering data**

Stainless steel 1.4404 316L, electropolished	Order No.
1 gland plate - bottom	1199960000
2 gland plates - positioned top and bottom sides (A & B)	1199970000
3 gland plates - positioned bottom, left and right sides (B, C & D)	1199980000
4 gland plates - positioned top, bottom, left and right sides (A, B, C & D)	1199990000

**Note** Painted sheet steel enclosure available on request. Standard colour is similar to RAL 7035.

**Accessories**

Mounting plate	Order No.
Steel sheet, zintec	1193950000
Stainless steel, 1.4301	1193820000

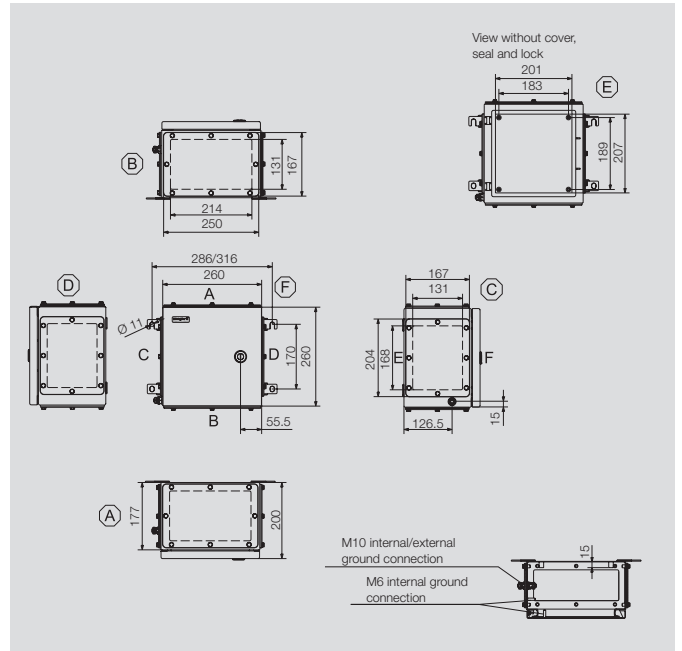
  

Stainless steel-Spacer M6 x 8, set of 4	Order No.
10 mm length	0935110000
15 mm length	0935120000
20 mm length	0935130000
30 mm length	0935140000

Sheet steel nickel plated Spacer M6 x 8, set of 2	Order No.
15 mm length	3896100000
20 mm length	3896200000
30 mm length	3896300000

**Note** System accessories can be found after the Klippon® TB QL product pages.



**Max. number of terminals (industry)**

Max. number of terminals (industry)	vertical	horizontal
2,5 mm²	2x35	2x34
4 mm²	1x30	1x29
6 mm²	1x22	1x22
10 mm²	1x18	1x17
16 mm²	1x15	1x14
35 mm²		

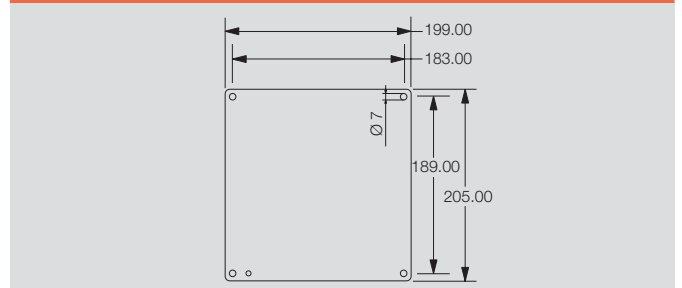
**Note** \*For enclosure versions with zero, one or two gland plates, the horizontal gap between the mounting feet is reduced by 30 mm. Assembly with terminal blocks provides for 10 mm clearance to the ends of the mounting rail. Recommended order: TS35 mounting rail (screw terminal) WDU 2.5 1020000000 / (tension clamp terminal) ZDU 2.5 1608510000 / (tension clamp terminal) PDU 2.5 1896110000 TS32 mounting rail (screw terminal) SAK 2.5 0279660000 TS15 mounting rail (screw terminal) AKZ 2.5 0697160000

**Number of cable entries**

Number of cable entries	A / B	C / D
M12	33	25
M16	22	16
M20	14	11
M25	12	9
M32	6	4
M40	5	4
M50	2	2
M63	2	1
M75	1	1

**Note** Our IP68 brass cable glands serve as a reference for these recommended values.

**Dimensions of mounting plate**





Height/Width/Depth 306 / 306 / 150 mm

**Ordering data**

Stainless steel 1.4404 316L, electropolished	Order No.
1 gland plate - bottom	1200020000
2 gland plates - positioned top and bottom sides (A & B)	1200030000
3 gland plates - positioned bottom, left and right sides (B, C & D)	1200040000
4 gland plates - positioned top, bottom, left and right sides (A, B, C & D)	1200050000

**Note** Painted sheet steel enclosure available on request. Standard colour is similar to RAL 7035.

**Accessories**

Mounting plate	Order No.
Steel sheet, zintec	1193960000
Stainless steel, 1.4301	1193830000

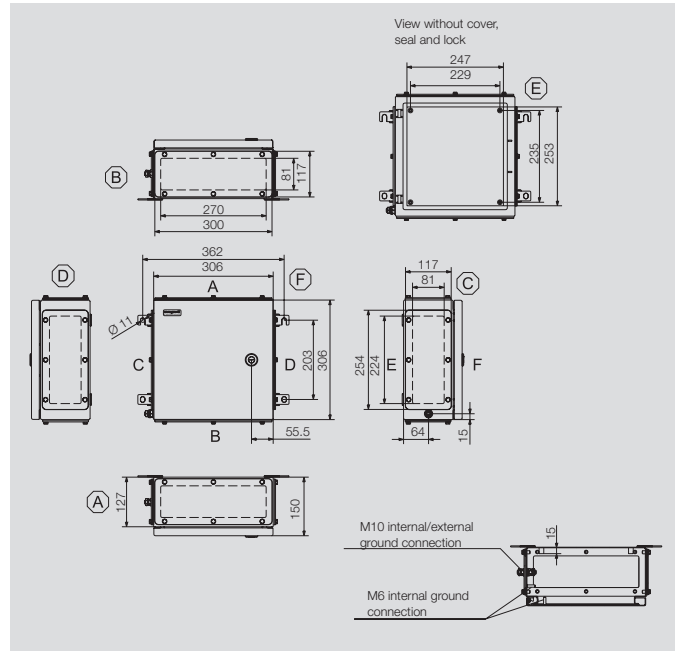
  

Stainless steel-Spacer M6 x 8, set of 4	Order No.
10 mm length	0935110000
15 mm length	0935120000
20 mm length	0935130000
30 mm length	0935140000

Sheet steel nickel plated Spacer M6 x 8, set of 2	Order No.
15 mm length	3896100000
20 mm length	3896200000
30 mm length	3896300000

**Note** System accessories can be found after the Klippon® TB QL product pages.



**Max. number of terminals (industry)**

Max. number of terminals (industry)	vertical	horizontal
2,5 mm <sup>2</sup>	2x44	2x43
4 mm <sup>2</sup>	2x37	2x36
6 mm <sup>2</sup>	2x28	2x27
10 mm <sup>2</sup>	1x22	1x22
16 mm <sup>2</sup>	1x19	1x18
35 mm <sup>2</sup>	1x14	1x13

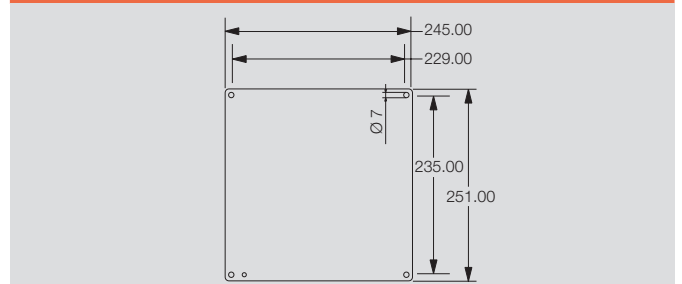
**Note** \*For enclosure versions with zero, one or two gland plates, the horizontal gap between the mounting feet is reduced by 30 mm. Assembly with terminal blocks provides for 10 mm clearance to the ends of the mounting rail. Recommended order: TS35 mounting rail (screw terminal) WDU 2.5 1020000000 / (tension clamp terminal) ZDU 2.5 1608510000 / (tension clamp terminal) PDU 2.5 1896110000 TS32 mounting rail (screw terminal) SAK 2.5 0279660000 TS15 mounting rail (screw terminal) AKZ 2.5 0697160000

**Number of cable entries**

Number of cable entries	A / B	C / D
M12	24	20
M16	13	11
M20	11	9
M25	5	4
M32	4	3
M40	3	3
M50	3	2
M63	0	0
M75	0	0

**Note** Our IP68 brass cable glands are used as the reference for these guideline values.

**Dimensions of mounting plate**





Height/Width/Depth 306 / 306 / 200 mm

**Ordering data**

Stainless steel 1.4404 316L, electropolished	Order No.
1 gland plate - bottom	1200070000
2 gland plates - positioned top and bottom sides (A & B)	1200080000
3 gland plates - positioned bottom, left and right sides (B, C & D)	1200090000
4 gland plates - positioned top, bottom, left and right sides (A, B, C & D)	1200100000

**Note** Painted sheet steel enclosure available on request. Standard colour is similar to RAL 7035.

**Accessories**

Mounting plate	Order No.
Steel sheet, zintec	1193960000
Stainless steel, 1.4301	1193830000

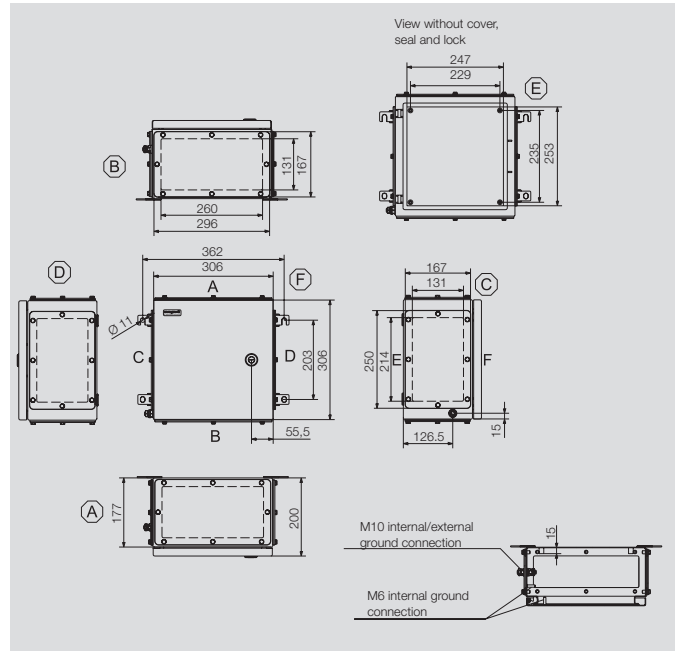
  

Stainless steel-Spacer M6 x 8, set of 4	Order No.
10 mm length	0935110000
15 mm length	0935120000
20 mm length	0935130000
30 mm length	0935140000

Sheet steel nickel plated Spacer M6 x 8, set of 2	Order No.
15 mm length	3896100000
20 mm length	3896200000
30 mm length	3896300000

**Note** System accessories can be found after the Klippon® TB QL product pages.



**Max. number of terminals (industry)**

Max. number of terminals (industry)	vertical	horizontal
2,5 mm <sup>2</sup>	2x44	2x43
4 mm <sup>2</sup>	2x37	2x36
6 mm <sup>2</sup>	2x28	2x27
10 mm <sup>2</sup>	1x22	1x22
16 mm <sup>2</sup>	1x19	1x18
35 mm <sup>2</sup>	1x14	1x13

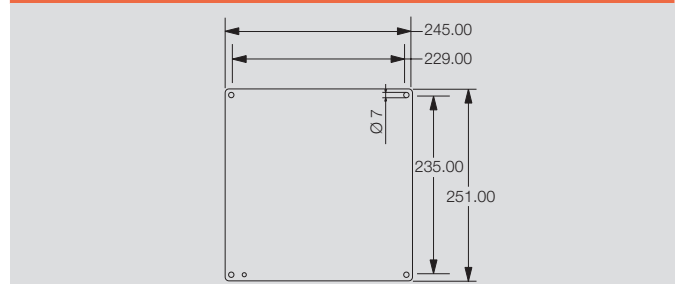
**Note** \*For enclosure versions with zero, one or two gland plates, the horizontal gap between the mounting feet is reduced by 30 mm. Assembly with terminal blocks provides for 10 mm clearance to the ends of the mounting rail. Recommended order: TS35 mounting rail (screw terminal) WDU 2.5 1020000000 / (tension clamp terminal) ZDU 2.5 1608510000 / (tension clamp terminal) PDU 2.5 1896110000 TS32 mounting rail (screw terminal) SAK 2.5 0279660000 TS15 mounting rail (screw terminal) AKZ 2.5 0697160000

**Number of cable entries**

Number of cable entries	A / B	C / D
M12	40	33
M16	26	22
M20	17	14
M25	14	12
M32	8	6
M40	6	5
M50	3	2
M63	2	2
M75	2	1

**Note** Our IP68 brass cable glands serve as a reference for these recommended values.

**Dimensions of mounting plate**





Height/Width/Depth 350 / 260 / 150 mm

**Ordering data**

Stainless steel 1.4404 316L, electropolished	Order No.
1 gland plate - bottom	1200120000
2 gland plates - positioned top and bottom sides (A & B)	1200130000
3 gland plates - positioned bottom, left and right sides (B, C & D)	1200140000
4 gland plates - positioned top, bottom, left and right sides (A, B, C & D)	1200150000

**Note** Painted sheet steel enclosure available on request. Standard colour is similar to RAL 7035.

**Accessories**

Mounting plate	Order No.
Steel sheet, zintec	1193970000
Stainless steel, 1.4301	1193840000

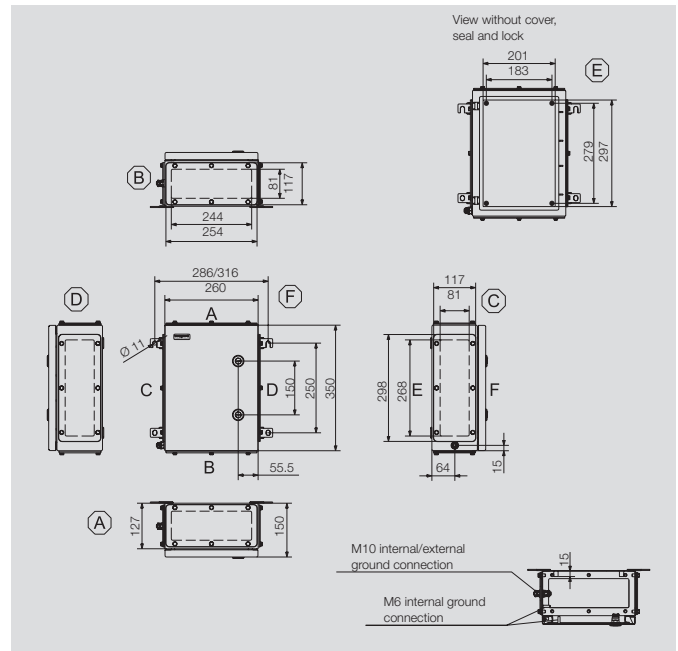
  

Stainless steel-Spacer M6 x 8, set of 4	Order No.
10 mm length	0935110000
15 mm length	0935120000
20 mm length	0935130000
30 mm length	0935140000

Sheet steel nickel plated Spacer M6 x 8, set of 2	Order No.
15 mm length	3896100000
20 mm length	3896200000
30 mm length	3896300000

**Note** System accessories can be found after the Klippon® TB QL product pages.



**Max. number of terminals (industry)**

Max. number of terminals (industry)	vertical	horizontal
2,5 mm <sup>2</sup>	2x53	2x34
4 mm <sup>2</sup>	1x44	2x29
6 mm <sup>2</sup>	1x33	2x22
10 mm <sup>2</sup>	1x27	2x17
16 mm <sup>2</sup>	1x22	1x14
35 mm <sup>2</sup>		1x11

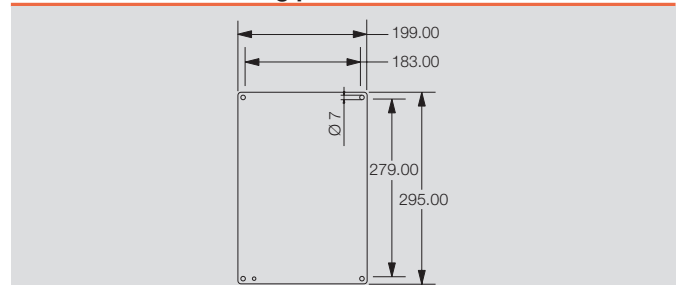
**Note** \*For enclosure versions with zero, one or two gland plates, the horizontal gap between the mounting feet is reduced by 30 mm. Assembly with terminal blocks provides for 10 mm clearance to the ends of the mounting rail. Recommended order: TS35 mounting rail (screw terminal) WDU 2.5 1020000000 / (tension clamp terminal) ZDU 2.5 1608510000 / (tension clamp terminal) PDU 2.5 1896110000 TS32 mounting rail (screw terminal) SAK 2.5 0279660000 TS15 mounting rail (screw terminal) AKZ 2.5 0697160000

**Number of cable entries**

Number of cable entries	A / B	C / D
M12	20	23
M16	11	13
M20	9	11
M25	4	5
M32	3	4
M40	3	3
M50	2	3
M63	0	0
M75	0	0

**Note** Our IP68 brass cable glands serve as a reference for these recommended values.

**Dimensions of mounting plate**



Klippon® TB QL 352620

Depth 200 mm



Height/Width/Depth 350 / 260 / 200 mm

Ordering data

Stainless steel 1.4404 316L, electropolished	Order No.
1 gland plate - bottom	1200170000
2 gland plates - positioned top and bottom sides (A & B)	1200180000
3 gland plates - positioned bottom, left and right sides (B, C & D)	1200190000
4 gland plates - positioned top, bottom, left and right sides (A, B, C & D)	1200210000

**Note** Painted sheet steel enclosure available on request. Standard colour is similar to RAL 7035.

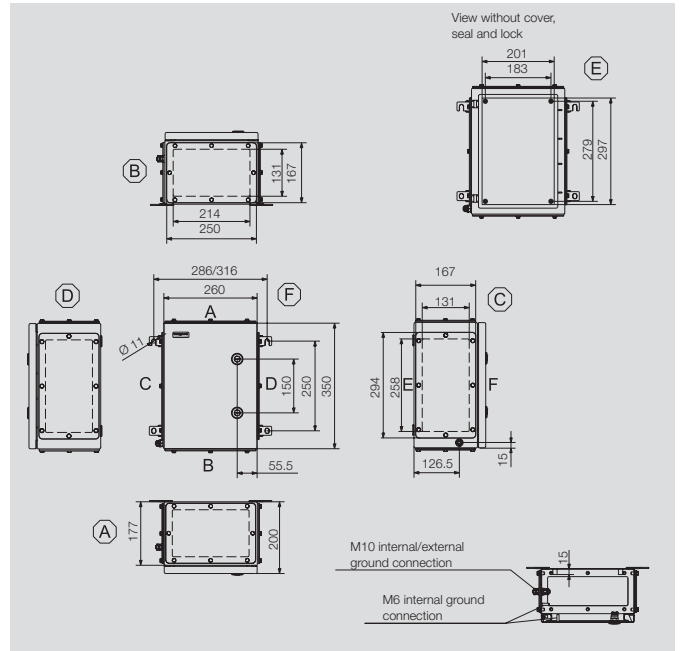
Accessories

Mounting plate	Order No.
Steel sheet, zintec	1193970000
Stainless steel, 1.4301	1193840000

Stainless steel-Spacer M6 x 8, set of 4	Order No.
10 mm length	0935110000
15 mm length	0935120000
20 mm length	0935130000
30 mm length	0935140000

Sheet steel nickel plated Spacer M6 x 8, set of 2	Order No.
15 mm length	3896100000
20 mm length	3896200000
30 mm length	3896300000

**Note** System accessories can be found after the Klippon® TB QL product pages.



Max. number of terminals (industry)

Max. number of terminals (industry)	vertical	horizontal
2,5 mm <sup>2</sup>	2x53	2x34
4 mm <sup>2</sup>	1x44	2x29
6 mm <sup>2</sup>	1x33	2x22
10 mm <sup>2</sup>	1x27	2x17
16 mm <sup>2</sup>	1x22	1x14
35 mm <sup>2</sup>		1x11

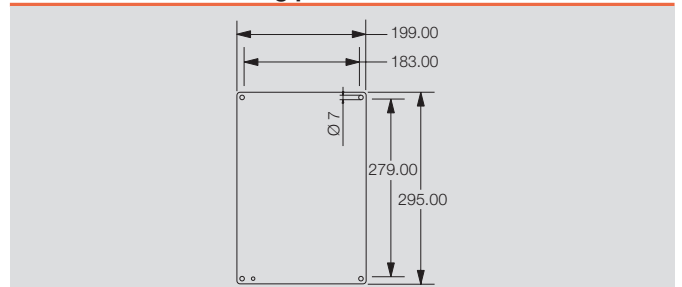
**Note** \*For enclosure versions with zero, one or two gland plates, the horizontal gap between the mounting feet is reduced by 30 mm. Assembly with terminal blocks provides for 10 mm clearance to the ends of the mounting rail. Recommended order: TS35 mounting rail (screw terminal) WDU 2.5 1020000000 / (tension clamp terminal) ZDU 2.5 1608510000 / (tension clamp terminal) PDU 2.5 1896110000 TS32 mounting rail (screw terminal) SAK 2.5 0279660000 TS15 mounting rail (screw terminal) AKZ 2.5 0697160000

Number of cable entries

Number of cable entries	A / B	C / D
M12	33	38
M16	22	26
M20	14	17
M25	12	14
M32	6	7
M40	5	6
M50	2	3
M63	2	2
M75	1	2

**Note** Our IP68 brass cable glands are used as the reference for these guideline values.

Dimensions of mounting plate





Height/Width/Depth 400 / 300 / 150 mm

**Ordering data**

Stainless steel 1.4404 316L, electropolished	Order No.
1 gland plate - bottom	1200230000
2 gland plates - positioned top and bottom sides (A & B)	1200240000
3 gland plates - positioned bottom, left and right sides (B, C & D)	1200250000
4 gland plates - positioned top, bottom, left and right sides (A, B, C & D)	1200260000

**Note** Painted sheet steel enclosure available on request. Standard colour is similar to RAL 7035.

**Accessories**

Mounting plate	Order No.
Steel sheet, zintec	1193980000
Stainless steel, 1.4301	1193850000

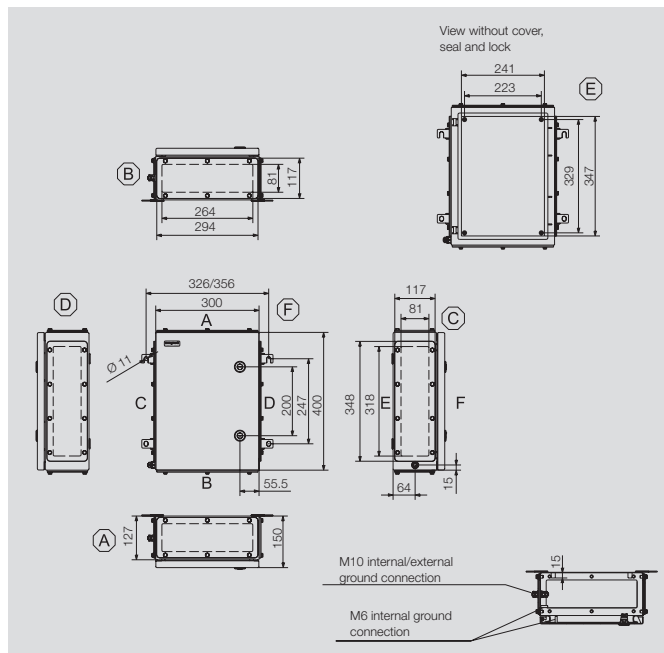
  

Stainless steel-Spacer M6 x 8, set of 4	Order No.
10 mm length	0935110000
15 mm length	0935120000
20 mm length	0935130000
30 mm length	0935140000

Sheet steel nickel plated Spacer M6 x 8, set of 2	Order No.
15 mm length	3896100000
20 mm length	3896200000
30 mm length	3896300000

**Note** System accessories can be found after the Klippon® TB QL product pages.



**Max. number of terminals (industry)**

Max. number of terminals (industry)	vertical	horizontal
2,5 mm²	2x62	3x42
4 mm²	2x52	3x35
6 mm²	1x39	2x26
10 mm²	1x32	2x21
16 mm²	1x26	2x18
35 mm²	1x20	1x13

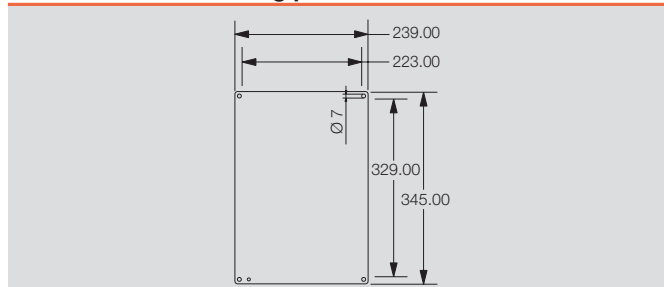
**Note** \*For enclosure versions with zero, one or two gland plates, the horizontal gap between the mounting feet is reduced by 30 mm. Assembly with terminal blocks provides for 10 mm clearance to the ends of the mounting rail. Recommended order: TS35 mounting rail (screw terminal) WDU 2.5 1020000000 / (tension clamp terminal) ZDU 2.5 1608510000 / (tension clamp terminal) PDU 2.5 1896110000 TS32 mounting rail (screw terminal) SAK 2.5 0279660000 TS15 mounting rail (screw terminal) AKZ 2.5 0697160000

**Number of cable entries**

Number of cable entries	A / B	C / D
M12	23	29
M16	13	16
M20	11	13
M25	5	6
M32	4	5
M40	3	4
M50	3	3
M63	0	0
M75	0	0

**Note** Our IP68 brass cable glands serve as a reference for these recommended values.

**Dimensions of mounting plate**



Klippon® TB QL 403020

Depth 200 mm



Height/Width/Depth 400 / 300 / 200 mm

**Ordering data**

Stainless steel 1.4404 316L, electropolished	Order No.
1 gland plate - bottom	1200280000
2 gland plates - positioned top and bottom sides (A & B)	1200290000
3 gland plates - positioned bottom, left and right sides (B, C & D)	1200310000
4 gland plates - positioned top, bottom, left and right sides (A, B, C & D)	1200320000

**Note** Painted sheet steel enclosure available on request. Standard colour is similar to RAL 7035.

**Accessories**

Mounting plate	Order No.
Steel sheet, zintec	1193980000
Stainless steel, 1.4301	1193850000

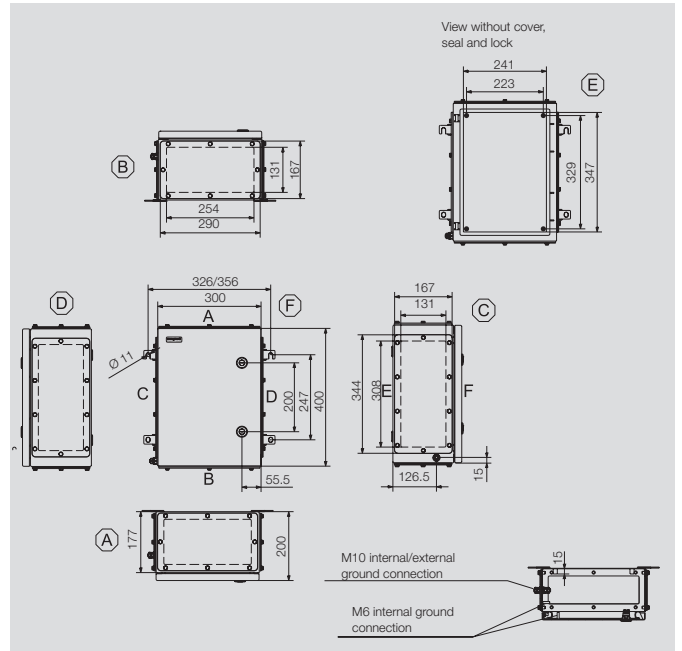
  

Stainless steel-Spacer M6 x 8, set of 4	Order No.
10 mm length	0935110000
15 mm length	0935120000
20 mm length	0935130000
30 mm length	0935140000

Sheet steel nickel plated Spacer M6 x 8, set of 2	Order No.
15 mm length	3896100000
20 mm length	3896200000
30 mm length	3896300000

**Note** System accessories can be found after the Klippon® TB QL product pages.



**Max. number of terminals (industry)**

Max. number of terminals (industry)	vertical	horizontal
2,5 mm <sup>2</sup>	2x62	3x42
4 mm <sup>2</sup>	2x52	3x35
6 mm <sup>2</sup>	1x39	2x26
10 mm <sup>2</sup>	1x32	2x21
16 mm <sup>2</sup>	1x26	2x18
35 mm <sup>2</sup>	1x20	1x13

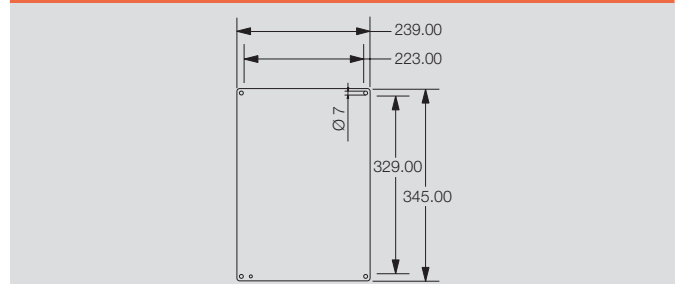
**Note** \*For enclosure versions with zero, one or two gland plates, the horizontal gap between the mounting feet is reduced by 30 mm. Assembly with terminal blocks provides for 10 mm clearance to the ends of the mounting rail. Recommended order: TS35 mounting rail (screw terminal) WDU 2.5 1020000000 / (tension clamp terminal) ZDU 2.5 1608510000 / (tension clamp terminal) PDU 2.5 1896110000 TS32 mounting rail (screw terminal) SAK 2.5 0279660000 TS15 mounting rail (screw terminal) AKZ 2.5 0697160000

**Number of cable entries**

Number of cable entries	A / B	C / D
M12	38	48
M16	26	32
M20	17	20
M25	14	17
M32	7	9
M40	6	7
M50	3	3
M63	2	3
M75	2	2

**Note** Our IP68 brass cable glands are used as the reference for these guideline values.

**Dimensions of mounting plate**





Height/Width/Depth 458 / 382 / 150 mm

**Ordering data**

Stainless steel 1.4404 316L, electropolished	Order No.
1 gland plate - bottom	1200340000
2 gland plates - positioned top and bottom sides (A & B)	1200350000
3 gland plates - positioned bottom, left and right sides (B, C & D)	1200360000
4 gland plates - positioned top, bottom, left and right sides (A, B, C & D)	1200370000

**Note** Painted sheet steel enclosure available on request. Standard colour is similar to RAL 7035.

**Accessories**

Mounting plate	Order No.
Steel sheet, zintec	1193990000
Stainless steel, 1.4301	1193860000

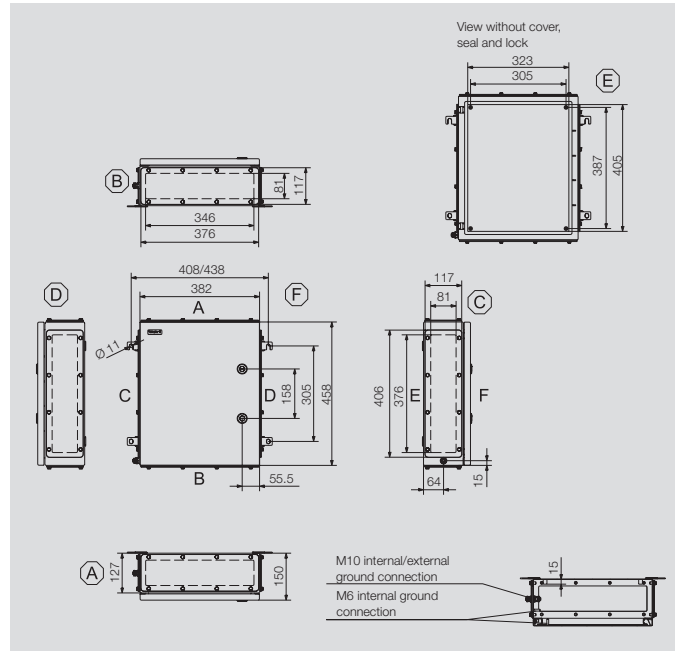
  

Stainless steel-Spacer M6 x 8, set of 4	Order No.
10 mm length	0935110000
15 mm length	0935120000
20 mm length	0935130000
30 mm length	0935140000

Sheet steel nickel plated Spacer M6 x 8, set of 2	Order No.
15 mm length	3896100000
20 mm length	3896200000
30 mm length	3896300000

**Note** System accessories can be found after the Klippon® TB QL product pages.



**Max. number of terminals (industry)**

Max. number of terminals (industry)	vertical	horizontal
2,5 mm²	3x73	4x58
4 mm²	2x62	3x48
6 mm²	2x46	3x36
10 mm²	2x37	2x29
16 mm²	2x31	2x24
35 mm²	1x23	1x18

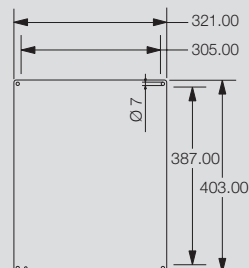
**Note** \*For enclosure versions with zero, one or two gland plates, the horizontal gap between the mounting feet is reduced by 30 mm. Assembly with terminal blocks provides for 10 mm clearance to the ends of the mounting rail. Recommended order: TS35 mounting rail (screw terminal) WDU 2.5 1020000000 / (tension clamp terminal) ZDU 2.5 1608510000 / (tension clamp terminal) PDU 2.5 1896110000 TS32 mounting rail (screw terminal) SAK 2.5 0279660000 TS15 mounting rail (screw terminal) AKZ 2.5 0697160000

**Number of cable entries**

Number of cable entries	A / B	C / D
M12	30	33
M16	17	19
M20	15	16
M25	6	7
M32	5	6
M40	4	5
M50	4	4
M63	0	0
M75	0	0

**Note** Our IP68 brass cable glands serve as a reference for these recommended values.

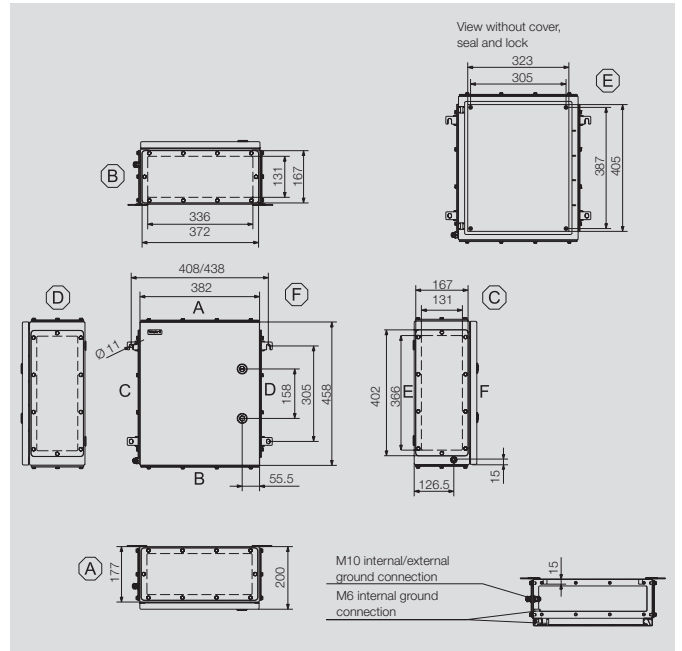
**Dimensions of mounting plate**





Klippon® TB QL 453820

Depth 200 mm



**Ordering data**

Stainless steel 1.4404 316L, electropolished	Order No.
1 gland plate - bottom	1200390000
2 gland plates - positioned top and bottom sides (A & B)	1200410000
3 gland plates - positioned bottom, left and right sides (B, C & D)	1200420000
4 gland plates - positioned top, bottom, left and right sides (A, B, C & D)	1200430000

**Note** Painted sheet steel enclosure available on request. Standard colour is similar to RAL 7035.

**Accessories**

Mounting plate	Order No.
Steel sheet, zintec	1193990000
Stainless steel, 1.4301	1193860000

Stainless steel-Spacer M6 x 8, set of 4	Order No.
10 mm length	0935110000
15 mm length	0935120000
20 mm length	0935130000
30 mm length	0935140000

Sheet steel nickel plated Spacer M6 x 8, set of 2	Order No.
15 mm length	3896100000
20 mm length	3896200000
30 mm length	3896300000

**Max. number of terminals (industry)**

Max. number of terminals (industry)	vertical	horizontal
2,5 mm <sup>2</sup>	3x73	4x58
4 mm <sup>2</sup>	2x62	3x48
6 mm <sup>2</sup>	2x46	3x36
10 mm <sup>2</sup>	2x37	2x29
16 mm <sup>2</sup>	2x31	2x24
35 mm <sup>2</sup>	1x23	1x18

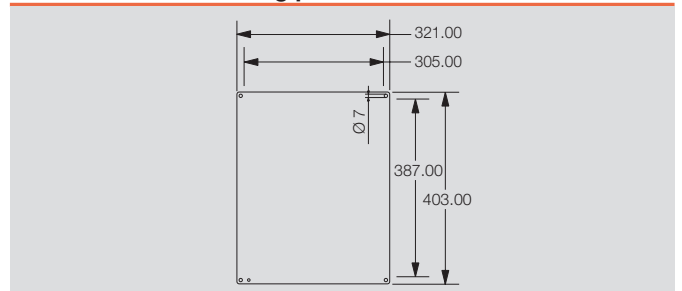
**Note** \*For enclosure versions with zero, one or two gland plates, the horizontal gap between the mounting feet is reduced by 30 mm. Assembly with terminal blocks provides for 10 mm clearance to the ends of the mounting rail. Recommended order: TS35 mounting rail (screw terminal) WDU 2.5 1020000000 / (tension clamp terminal) ZDU 2.5 1608510000 / (tension clamp terminal) PDU 2.5 1896110000 TS32 mounting rail (screw terminal) SAK 2.5 0279660000 TS15 mounting rail (screw terminal) AKZ 2.5 0697160000

**Number of cable entries**

Number of cable entries	A / B	C / D
M12	50	55
M16	34	38
M20	23	24
M25	18	21
M32	10	11
M40	8	9
M50	4	4
M63	3	3
M75	2	3

**Note** Our IP68 brass cable glands are used as the reference for these guideline values.

**Dimensions of mounting plate**



**Note** System accessories can be found after the Klippon® TB QL product pages.



Height/Width/Depth 480 / 480 / 150 mm

**Ordering data**

Stainless steel 1.4404 316L, electropolished	Order No.
1 gland plate - bottom	1200450000
2 gland plates - positioned top and bottom sides (A & B)	1200460000
3 gland plates - positioned bottom, left and right sides (B, C & D)	1200470000
4 gland plates - positioned top, bottom, left and right sides (A, B, C & D)	1200480000

**Note** Painted sheet steel enclosure available on request. Standard colour is similar to RAL 7035.

**Accessories**

Mounting plate	Order No.
Steel sheet, zintec	1194000000
Stainless steel, 1.4301	1193870000

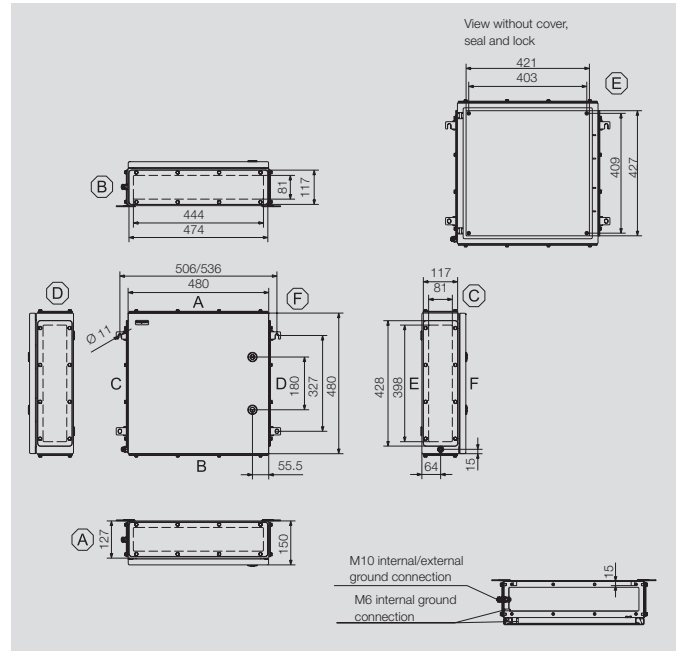
  

Stainless steel-Spacer M6 x 8, set of 4	Order No.
10 mm length	0935110000
15 mm length	0935120000
20 mm length	0935130000
30 mm length	0935140000

Sheet steel nickel plated Spacer M6 x 8, set of 2	Order No.
15 mm length	3896100000
20 mm length	3896200000
30 mm length	3896300000

**Note** System accessories can be found after the Klippon® TB QL product pages.



**Max. number of terminals (industry)**

Max. number of terminals (industry)	vertical	horizontal
2,5 mm <sup>2</sup>	4x78	4x77
4 mm <sup>2</sup>	3x65	3x64
6 mm <sup>2</sup>	3x49	3x48
10 mm <sup>2</sup>	2x39	3x39
16 mm <sup>2</sup>	2x33	2x32
35 mm <sup>2</sup>	1x25	2x24

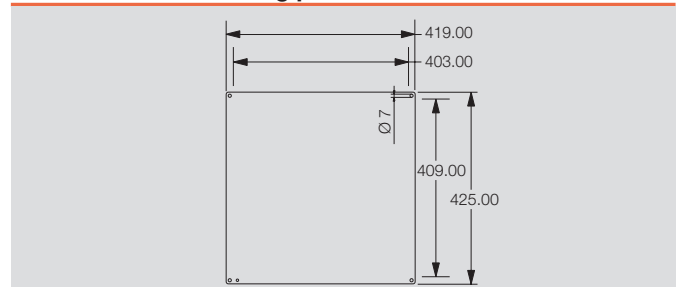
**Note** \*For enclosure versions with zero, one or two gland plates, the horizontal gap between the mounting feet is reduced by 30 mm. Assembly with terminal blocks provides for 10 mm clearance to the ends of the mounting rail. Recommended order: TS35 mounting rail (screw terminal) WDU 2.5 1020000000 / (tension clamp terminal) ZDU 2.5 1608510000 / (tension clamp terminal) PDU 2.5 1896110000 TS32 mounting rail (screw terminal) SAK 2.5 0279660000 TS15 mounting rail (screw terminal) AKZ 2.5 0697160000

**Number of cable entries**

Number of cable entries	A / B	C / D
M12	39	36
M16	22	20
M20	19	17
M25	8	7
M32	7	6
M40	6	5
M50	5	4
M63	0	0
M75	0	0

**Note** Our IP68 brass cable glands are used as the reference for these guideline values.

**Dimensions of mounting plate**



Klippon® TB QL 484820

Depth 200 mm



Height/Width/Depth 480 / 480 / 200 mm

**Ordering data**

Stainless steel 1.4404 316L, electropolished	Order No.
1 gland plate - bottom	1200510000
2 gland plates - positioned top and bottom sides (A & B)	1200520000
3 gland plates - positioned bottom, left and right sides (B, C & D)	1200530000
4 gland plates - positioned top, bottom, left and right sides (A, B, C & D)	1200540000

**Note** Painted sheet steel enclosure available on request. Standard colour is similar to RAL 7035.

**Accessories**

Mounting plate	Order No.
Steel sheet, zintec	1194000000
Stainless steel, 1.4301	1193870000

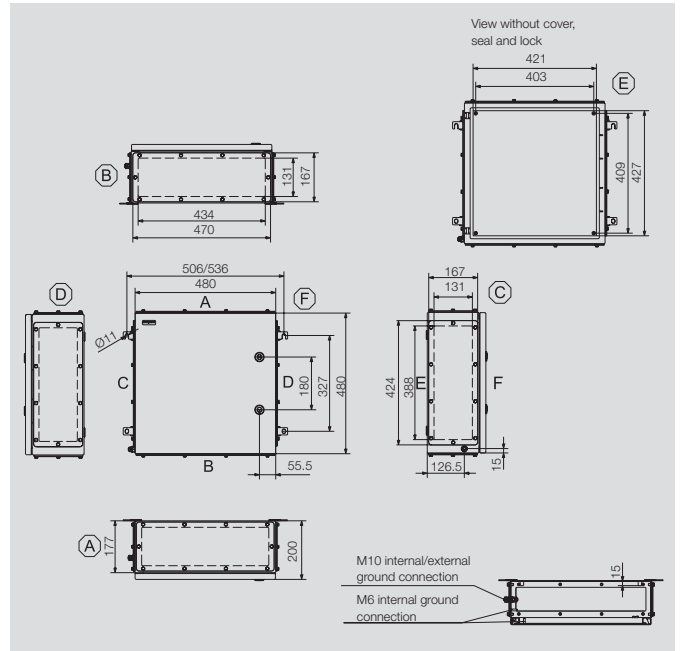
  

Stainless steel-Spacer M6 x 8, set of 4	Order No.
10 mm length	0935110000
15 mm length	0935120000
20 mm length	0935130000
30 mm length	0935140000

Sheet steel nickel plated Spacer M6 x 8, set of 2	Order No.
15 mm length	3896100000
20 mm length	3896200000
30 mm length	3896300000

**Note** System accessories can be found after the Klippon® TB QL product pages.



**Max. number of terminals (industry)**

Max. number of terminals (industry)	vertical	horizontal
2,5 mm <sup>2</sup>	4x78	4x77
4 mm <sup>2</sup>	3x65	3x64
6 mm <sup>2</sup>	3x49	3x48
10 mm <sup>2</sup>	2x39	3x39
16 mm <sup>2</sup>	2x33	2x32
35 mm <sup>2</sup>	1x25	2x24

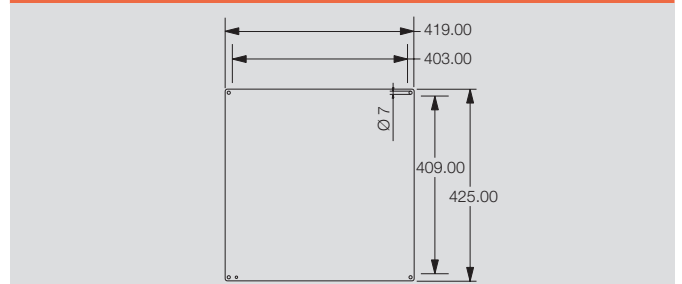
**Note** \*For enclosure versions with zero, one or two gland plates, the horizontal gap between the mounting feet is reduced by 30 mm. Assembly with terminal blocks provides for 10 mm clearance to the ends of the mounting rail. Recommended order: TS35 mounting rail (screw terminal) WDU 2.5 1020000000 / (tension clamp terminal) ZDU 2.5 1608510000 / (tension clamp terminal) PDU 2.5 1896110000 TS32 mounting rail (screw terminal) SAK 2.5 0279660000 TS15 mounting rail (screw terminal) AKZ 2.5 0697160000

**Number of cable entries**

Number of cable entries	A / B	C / D
M12	65	60
M16	44	40
M20	29	26
M25	24	21
M32	13	12
M40	11	10
M50	5	4
M63	4	4
M75	3	3

**Note** Our IP68 brass cable glands serve as a reference for these recommended values.

**Dimensions of mounting plate**





Height/Width/Depth 550 / 350 / 150 mm

**Ordering data**

Stainless steel 1.4404 316L, electropolished	Order No.
1 gland plate - bottom	1200560000
2 gland plates - positioned top and bottom sides (A & B)	1200570000
3 gland plates - positioned bottom, left and right sides (B, C & D)	1200580000
4 gland plates - positioned top, bottom, left and right sides (A, B, C & D)	1200590000

**Note** Painted sheet steel enclosure available on request. Standard colour is similar to RAL 7035.

**Accessories**

Mounting plate	Order No.
Steel sheet, zintec	1194010000
Stainless steel, 1.4301	1193880000

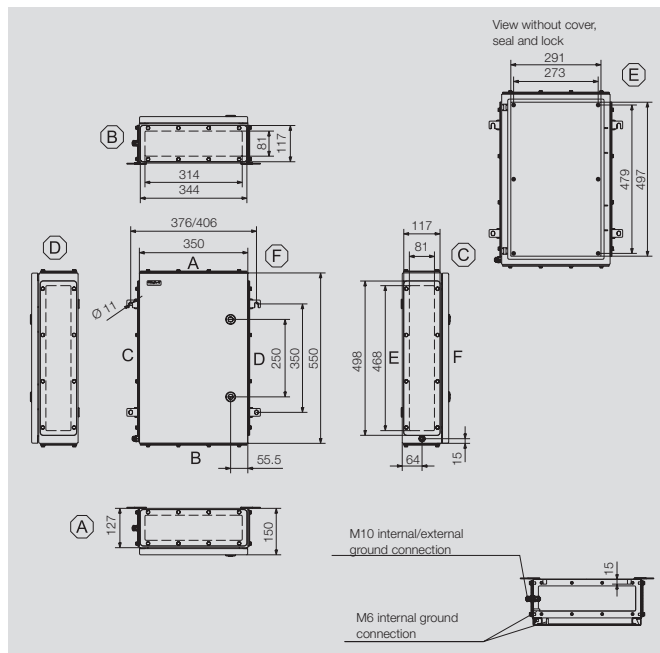
  

Stainless steel-Spacer M6 x 8, set of 4	Order No.
10 mm length	0935110000
15 mm length	0935120000
20 mm length	0935130000
30 mm length	0935140000

Sheet steel nickel plated Spacer M6 x 8, set of 2	Order No.
15 mm length	3896100000
20 mm length	3896200000
30 mm length	3896300000

**Note** System accessories can be found after the Klippon® TB QL product pages.



**Max. number of terminals (industry)**

Max. number of terminals (industry)	vertical	horizontal
2,5 mm <sup>2</sup>	2x91	4x52
4 mm <sup>2</sup>	2x76	4x43
6 mm <sup>2</sup>	2x58	4x32
10 mm <sup>2</sup>	2x46	3x26
16 mm <sup>2</sup>	1x39	3x22
35 mm <sup>2</sup>	1x29	2x16

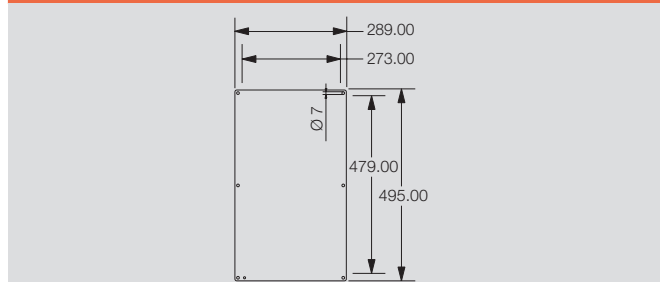
**Note** \*For enclosure versions with zero, one or two gland plates, the horizontal gap between the mounting feet is reduced by 30 mm. Assembly with terminal blocks provides for 10 mm clearance to the ends of the mounting rail. Recommended order: TS35 mounting rail (screw terminal) WDU 2.5 1020000000 / (tension clamp terminal) ZDU 2.5 1608510000 / (tension clamp terminal) PDU 2.5 1896110000 TS32 mounting rail (screw terminal) SAK 2.5 0279660000 TS15 mounting rail (screw terminal) AKZ 2.5 0697160000

**Number of cable entries**

Number of cable entries	A / B	C / D
M12	27	42
M16	15	24
M20	13	20
M25	6	9
M32	5	7
M40	4	6
M50	3	5
M63	0	0
M75	0	0

**Note** Our IP68 brass cable glands are used as the reference for these guideline values.

**Dimensions of mounting plate**



Klippon® TB QL 553520

Depth 200 mm



Height/Width/Depth 550 / 350 / 200 mm

**Ordering data**

Stainless steel 1.4404 316L, electropolished	Order No.
1 gland plate - bottom	1200620000
2 gland plates - positioned top and bottom sides (A & B)	1200630000
3 gland plates - positioned bottom, left and right sides (B, C & D)	1200640000
4 gland plates - positioned top, bottom, left and right sides (A, B, C & D)	1200650000

**Note** Painted sheet steel enclosure available on request. Standard colour is similar to RAL 7035.

**Accessories**

Mounting plate	Order No.
Steel sheet, zintec	1194010000
Stainless steel, 1.4301	1193880000

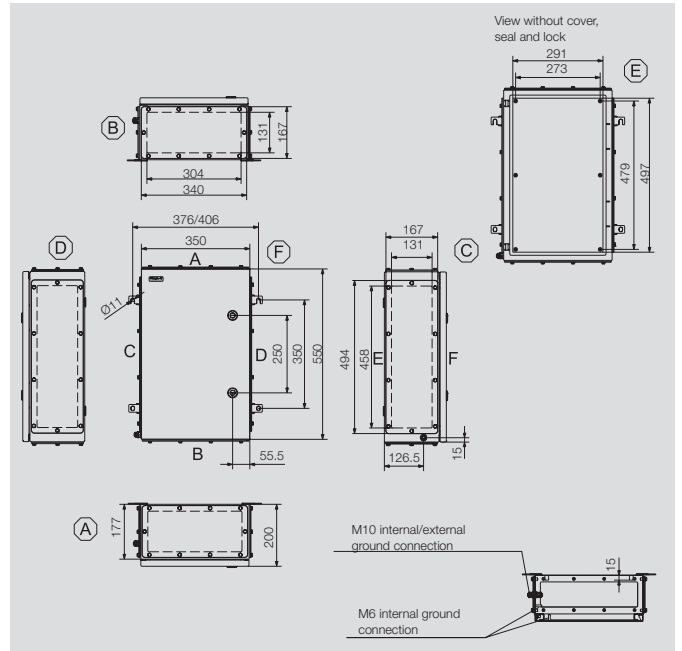
  

Stainless steel-Spacer M6 x 8, set of 4	Order No.
10 mm length	0935110000
15 mm length	0935120000
20 mm length	0935130000
30 mm length	0935140000

Sheet steel nickel plated Spacer M6 x 8, set of 2	Order No.
15 mm length	3896100000
20 mm length	3896200000
30 mm length	3896300000

**Note** System accessories can be found after the Klippon® TB QL product pages.



**Max. number of terminals (industry)**

Max. number of terminals (industry)	vertical	horizontal
2,5 mm <sup>2</sup>	2x91	4x52
4 mm <sup>2</sup>	2x76	4x43
6 mm <sup>2</sup>	2x58	4x32
10 mm <sup>2</sup>	2x46	3x26
16 mm <sup>2</sup>	1x39	3x22
35 mm <sup>2</sup>	1x29	2x16

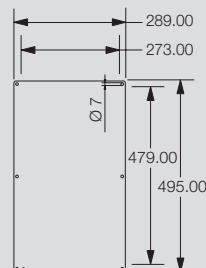
**Note** \*For enclosure versions with zero, one or two gland plates, the horizontal gap between the mounting feet is reduced by 30 mm. Assembly with terminal blocks provides for 10 mm clearance to the ends of the mounting rail. Recommended order: TS35 mounting rail (screw terminal) WDU 2.5 1020000000 / (tension clamp terminal) ZDU 2.5 1608510000 / (tension clamp terminal) PDU 2.5 1896110000 TS32 mounting rail (screw terminal) SAK 2.5 0279660000 TS15 mounting rail (screw terminal) AKZ 2.5 0697160000

**Number of cable entries**

Number of cable entries	A / B	C / D
M12	45	70
M16	30	48
M20	20	30
M25	17	26
M32	9	14
M40	7	12
M50	3	5
M63	3	4
M75	2	3

**Note** Our IP68 brass cable glands serve as a reference for these recommended values.

**Dimensions of mounting plate**





Height/Width/Depth 620 / 450 / 150 mm

**Ordering data**

Stainless steel 1.4404 316L, electropolished	Order No.
1 gland plate - bottom	1200670000
2 gland plates - positioned top and bottom sides (A & B)	1200680000
3 gland plates - positioned bottom, left and right sides (B, C & D)	1200690000
4 gland plates - positioned top, bottom, left and right sides (A, B, C & D)	1200710000

**Note** Painted sheet steel enclosure available on request. Standard colour is similar to RAL 7035.

**Accessories**

Mounting plate	Order No.
Steel sheet, zintec	1194020000
Stainless steel, 1.4301	1193890000

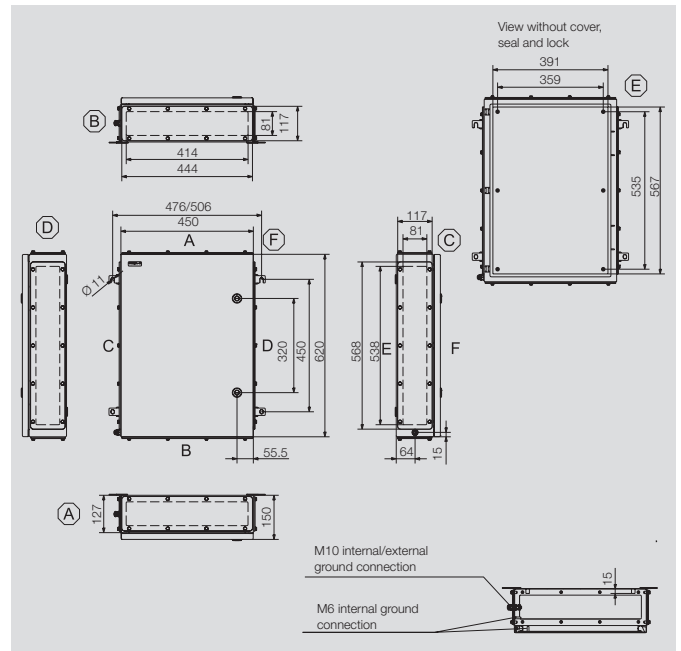
  

Stainless steel-Spacer M6 x 8, set of 4	Order No.
10 mm length	0935110000
15 mm length	0935120000
20 mm length	0935130000
30 mm length	0935140000

Sheet steel nickel plated Spacer M6 x 8, set of 2	Order No.
15 mm length	3896100000
20 mm length	3896200000
30 mm length	3896300000

**Note** System accessories can be found after the Klippon® TB QL product pages.



**Max. number of terminals (industry)**

Max. number of terminals (industry)	vertical	horizontal
2,5 mm <sup>2</sup>	3x105	5x71
4 mm <sup>2</sup>	3x88	5x59
6 mm <sup>2</sup>	3x66	4x45
10 mm <sup>2</sup>	2x53	4x36
16 mm <sup>2</sup>	2x44	3x30
35 mm <sup>2</sup>	1x33	2x22

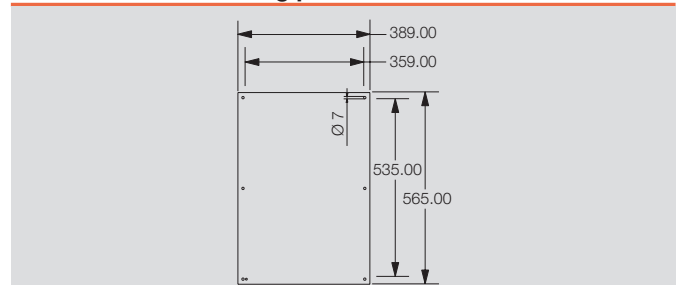
**Note** \*For enclosure versions with zero, one or two gland plates, the horizontal gap between the mounting feet is reduced by 30 mm. Assembly with terminal blocks provides for 10 mm clearance to the ends of the mounting rail. Recommended order: TS35 mounting rail (screw terminal) WDU 2.5 1020000000 / (tension clamp terminal) ZDU 2.5 1608510000 / (tension clamp terminal) PDU 2.5 1896110000 TS32 mounting rail (screw terminal) SAK 2.5 0279660000 TS15 mounting rail (screw terminal) AKZ 2.5 0697160000

**Number of cable entries**

Number of cable entries	A / B	C / D
M12	38	48
M16	21	27
M20	18	24
M25	8	10
M32	6	9
M40	5	7
M50	4	6
M63	0	0
M75	0	0

**Note** Our IP68 brass cable glands are used as the reference for these guideline values.

**Dimensions of mounting plate**



Klippon® TB QL 624520

Depth 200 mm



Height/Width/Depth 620 / 450 / 200 mm

**Ordering data**

Stainless steel 1.4404 316L, electropolished	Order No.
1 gland plate - bottom	1200730000
2 gland plates - positioned top and bottom sides (A & B)	1200740000
3 gland plates - positioned bottom, left and right sides (B, C & D)	1200750000
4 gland plates - positioned top, bottom, left and right sides (A, B, C & D)	1200760000

**Note** Painted sheet steel enclosure available on request. Standard colour is similar to RAL 7035.

**Accessories**

Mounting plate	Order No.
Steel sheet, zintec	1194020000
Stainless steel, 1.4301	1193890000

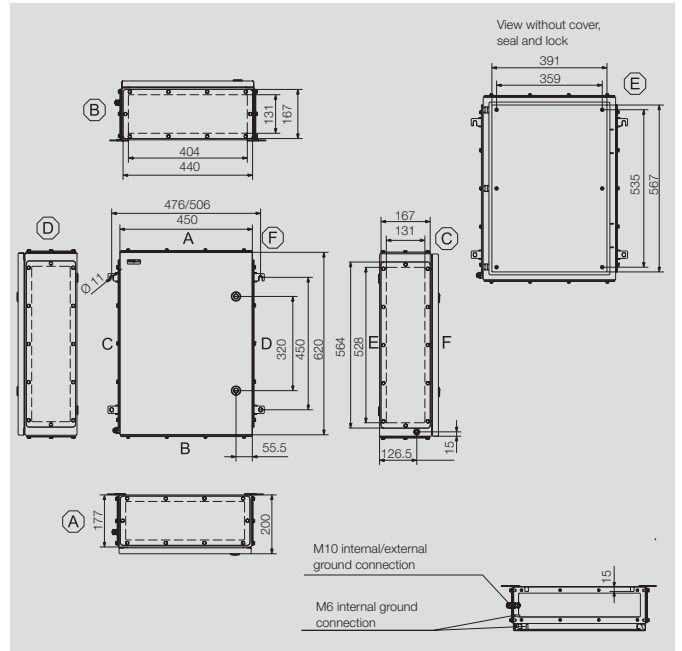
  

Stainless steel-Spacer M6 x 8, set of 4	Order No.
10 mm length	0935110000
15 mm length	0935120000
20 mm length	0935130000
30 mm length	0935140000

Sheet steel nickel plated Spacer M6 x 8, set of 2	Order No.
15 mm length	3896100000
20 mm length	3896200000
30 mm length	3896300000

**Note** System accessories can be found after the Klippon® TB QL product pages.



**Max. number of terminals (industry)**

Max. number of terminals (industry)	vertical	horizontal
2,5 mm <sup>2</sup>	3x105	5x71
4 mm <sup>2</sup>	3x88	5x59
6 mm <sup>2</sup>	3x66	4x45
10 mm <sup>2</sup>	2x53	4x36
16 mm <sup>2</sup>	2x44	3x30
35 mm <sup>2</sup>	1x33	2x22

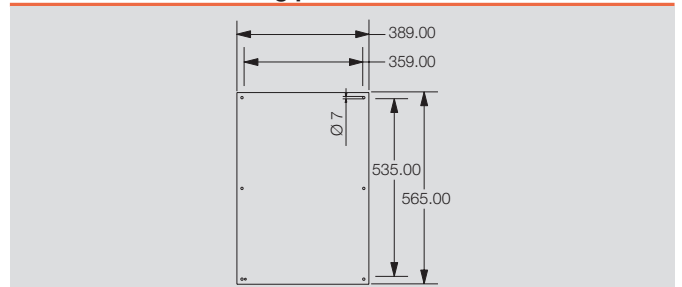
**Note** \*For enclosure versions with zero, one or two gland plates, the horizontal gap between the mounting feet is reduced by 30 mm. Assembly with terminal blocks provides for 10 mm clearance to the ends of the mounting rail. Recommended order: TS35 mounting rail (screw terminal) WDU 2.5 1020000000 / (tension clamp terminal) ZDU 2.5 1608510000 / (tension clamp terminal) PDU 2.5 1896110000 TS32 mounting rail (screw terminal) SAK 2.5 0279660000 TS15 mounting rail (screw terminal) AKZ 2.5 0697160000

**Number of cable entries**

Number of cable entries	A / B	C / D
M12	63	80
M16	42	54
M20	27	36
M25	23	30
M32	12	17
M40	10	14
M50	4	6
M63	4	5
M75	3	4

**Note** Our IP68 brass cable glands serve as a reference for these recommended values.

**Dimensions of mounting plate**





Height/Width/Depth 762 / 508 / 150 mm

**Ordering data**

Stainless steel 1.4404 316L, electropolished	Order No.
1 gland plate - bottom	1200780000
2 gland plates - positioned top and bottom sides (A & B)	1200790000
3 gland plates - positioned bottom, left and right sides (B, C & D)	1200810000
4 gland plates - positioned top, bottom, left and right sides (A, B, C & D)	1200820000

**Note** Painted sheet steel enclosure available on request. Standard colour is similar to RAL 7035.

**Accessories**

Mounting plate	Order No.
Steel sheet, zintec	1194030000
Stainless steel, 1.4301	1193900000

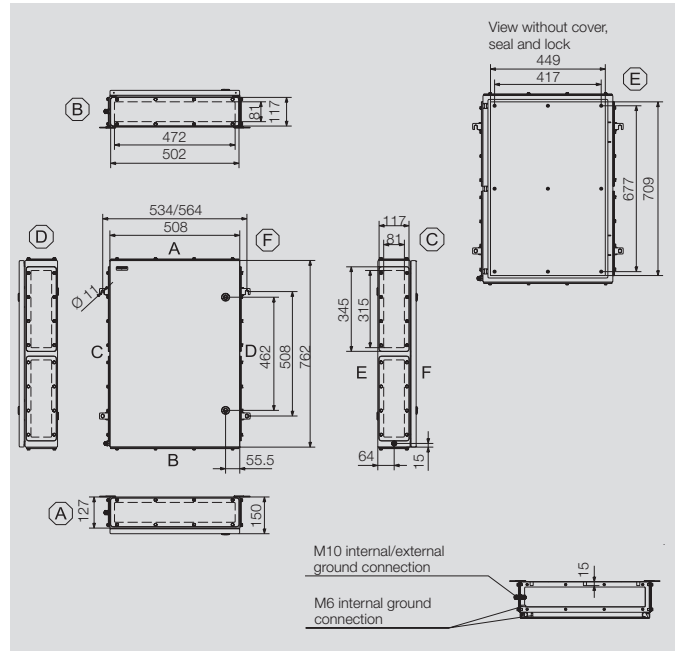
  

Stainless steel-Spacer M6 x 8, set of 4	Order No.
10 mm length	0935110000
15 mm length	0935120000
20 mm length	0935130000
30 mm length	0935140000

Sheet steel nickel plated Spacer M6 x 8, set of 2	Order No.
15 mm length	3896100000
20 mm length	3896200000
30 mm length	3896300000

**Note** System accessories can be found after the Klippon® TB QL product pages.



**Max. number of terminals (industry)**

Max. number of terminals (industry)	vertical	horizontal
2,5 mm <sup>2</sup>	4x132	7x82
4 mm <sup>2</sup>	4x111	6x69
6 mm <sup>2</sup>	3x83	5x52
10 mm <sup>2</sup>	3x67	5x42
16 mm <sup>2</sup>	2x56	4x35
35 mm <sup>2</sup>	2x42	3x26

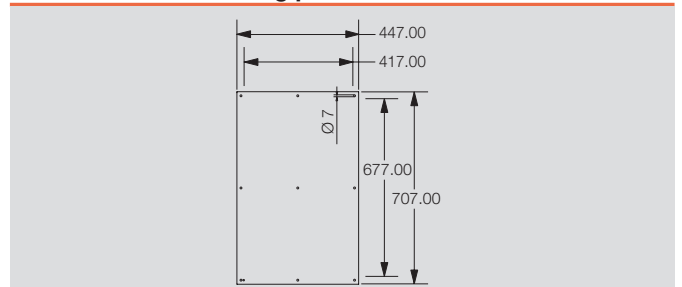
**Note** \*For enclosure versions with zero, one or two gland plates, the horizontal gap between the mounting feet is reduced by 30 mm. Assembly with terminal blocks provides for 10 mm clearance to the ends of the mounting rail. Recommended order: TS35 mounting rail (screw terminal) WDU 2.5 1020000000 / (tension clamp terminal) ZDU 2.5 1608510000 / (tension clamp terminal) PDU 2.5 1896110000 TS32 mounting rail (screw terminal) SAK 2.5 0279660000 TS15 mounting rail (screw terminal) AKZ 2.5 0697160000

**Number of cable entries**

Number of cable entries	A / B	C / D
M12	42	58
M16	24	32
M20	21	26
M25	9	12
M32	7	10
M40	6	8
M50	5	6
M63	0	0
M75	0	0

**Note** Our IP68 brass cable glands serve as a reference for these recommended values.

**Dimensions of mounting plate**





Klippon® TB QL 765020

Depth 200 mm



Height/Width/Depth 762 / 508 / 200 mm

Ordering data

Stainless steel 1.4404 316L, electropolished	Order No.
1 gland plate - bottom	1200840000
2 gland plates - positioned top and bottom sides (A & B)	1200850000
3 gland plates - positioned bottom, left and right sides (B, C & D)	1200860000
4 gland plates - positioned top, bottom, left and right sides (A, B, C & D)	1200870000

**Note** Painted sheet steel enclosure available on request. Standard colour is similar to RAL 7035.

Accessories

Mounting plate	Order No.
Steel sheet, zintec	1194030000
Stainless steel, 1.4301	1193900000

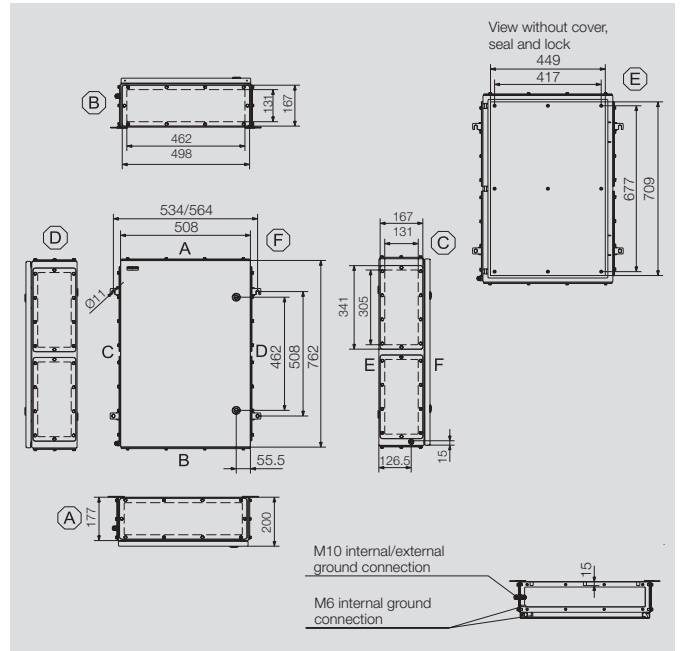
  

Stainless steel-Spacer M6 x 8, set of 4	Order No.
10 mm length	0935110000
15 mm length	0935120000
20 mm length	0935130000
30 mm length	0935140000

Sheet steel nickel plated Spacer M6 x 8, set of 2	Order No.
15 mm length	3896100000
20 mm length	3896200000
30 mm length	3896300000

**Note** System accessories can be found after the Klippon® TB QL product pages.



Max. number of terminals (industry)

Max. number of terminals (industry)	vertical	horizontal
2,5 mm <sup>2</sup>	4x132	7x82
4 mm <sup>2</sup>	4x111	6x69
6 mm <sup>2</sup>	3x83	5x52
10 mm <sup>2</sup>	3x67	5x42
16 mm <sup>2</sup>	2x56	4x35
35 mm <sup>2</sup>	2x42	3x26

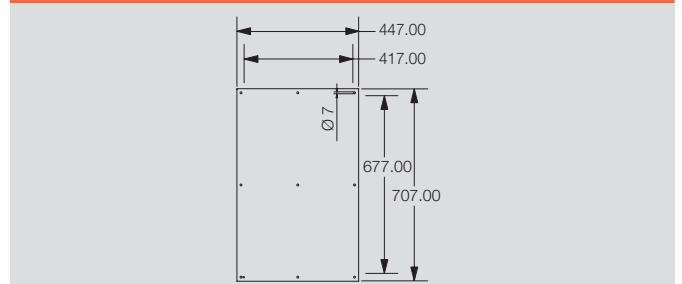
**Note** \*For enclosure versions with zero, one or two gland plates, the horizontal gap between the mounting feet is reduced by 30 mm. Assembly with terminal blocks provides for 10 mm clearance to the ends of the mounting rail. Recommended order: TS35 mounting rail (screw terminal) WDU 2.5 1020000000 / (tension clamp terminal) ZDU 2.5 1608510000 / (tension clamp terminal) PDU 2.5 1896110000 TS32 mounting rail (screw terminal) SAK 2.5 0279660000 TS15 mounting rail (screw terminal) AKZ 2.5 0697160000

Number of cable entries

Number of cable entries	A / B	C / D
M12	70	96
M16	48	64
M20	32	40
M25	26	34
M32	14	18
M40	12	14
M50	5	6
M63	4	6
M75	3	4

**Note** Our IP68 brass cable glands are used as the reference for these guideline values.

Dimensions of mounting plate





Height/Width/Depth 914 / 610 / 150 mm

**Ordering data**

Stainless steel 1.4404 316L, electropolished	Order No.
1 gland plate - bottom	1200890000
2 gland plates - positioned top and bottom sides (A & B)	1200910000
3 gland plates - positioned bottom, left and right sides (B, C & D)	1200920000
4 gland plates - positioned top, bottom, left and right sides (A, B, C & D)	1200930000

**Note** Painted sheet steel enclosure available on request. Standard colour is similar to RAL 7035.

**Accessories**

Mounting plate	Order No.
Steel sheet, zintec	1194040000
Stainless steel, 1.4301	1193910000

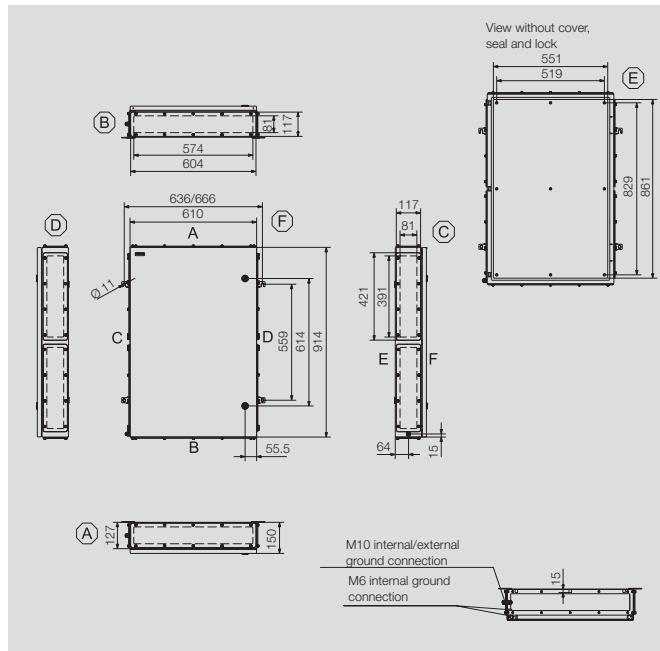
  

Stainless steel-Spacer M6 x 8, set of 4	Order No.
10 mm length	0935110000
15 mm length	0935120000
20 mm length	0935130000
30 mm length	0935140000

Sheet steel nickel plated Spacer M6 x 8, set of 2	Order No.
15 mm length	3896100000
20 mm length	3896200000
30 mm length	3896300000

**Note** System accessories can be found after the Klippon® TB QL product pages.



**Max. number of terminals (industry)**

Max. number of terminals (industry)	vertical	horizontal
2,5 mm <sup>2</sup>	5x161	8x102
4 mm <sup>2</sup>	4x135	7x85
6 mm <sup>2</sup>	4x102	7x64
10 mm <sup>2</sup>	3x82	6x52
16 mm <sup>2</sup>	3x68	5x43
35 mm <sup>2</sup>	2x51	4x32

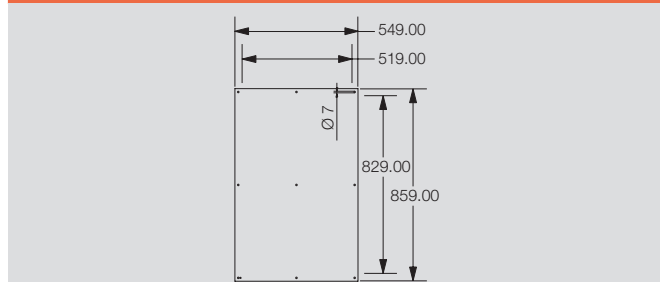
**Note** \*For enclosure versions with zero, one or two gland plates, the horizontal gap between the mounting feet is reduced by 30 mm. Assembly with terminal blocks provides for 10 mm clearance to the ends of the mounting rail. Recommended order: TS35 mounting rail (screw terminal) WDU 2.5 1020000000 / (tension clamp terminal) ZDU 2.5 1608510000 / (tension clamp terminal) PDU 2.5 1896110000 TS32 mounting rail (screw terminal) SAK 2.5 0279660000 TS15 mounting rail (screw terminal) AKZ 2.5 0697160000

**Number of cable entries**

Number of cable entries	A / B	C / D
M12	53	70
M16	29	40
M20	25	34
M25	11	14
M32	9	12
M40	8	10
M50	6	8
M63	0	0
M75	0	0

**Note** Our IP68 brass cable glands are used as the reference for these guideline values.

**Dimensions of mounting plate**



Klippon® TB QL 916120

Depth 200 mm



Height/Width/Depth 914 / 610 / 200 mm

Ordering data

Stainless steel 1.4404 316L, electropolished	Order No.
1 gland plate - bottom	1200950000
2 gland plates - positioned top and bottom sides (A & B)	1200960000
3 gland plates - positioned bottom, left and right sides (B, C & D)	1200970000
4 gland plates - positioned top, bottom, left and right sides (A, B, C & D)	1200980000

**Note** Painted sheet steel enclosure available on request. Standard colour is similar to RAL 7035.

Accessories

Mounting plate	Order No.
Steel sheet, zintec	1194040000
Stainless steel, 1.4301	1193910000

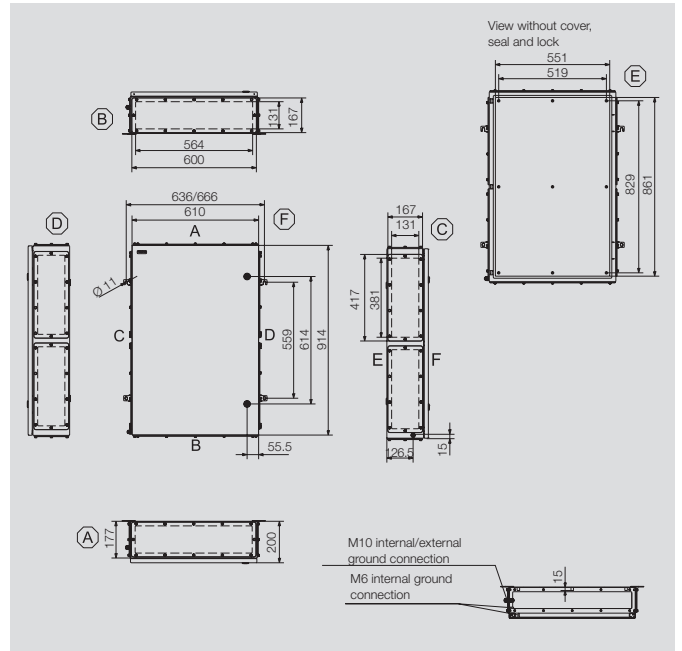
  

Stainless steel-Spacer M6 x 8, set of 4	Order No.
10 mm length	0935110000
15 mm length	0935120000
20 mm length	0935130000
30 mm length	0935140000

Sheet steel nickel plated Spacer M6 x 8, set of 2	Order No.
15 mm length	3896100000
20 mm length	3896200000
30 mm length	3896300000

**Note** System accessories can be found after the Klippon® TB QL product pages.



Max. number of terminals (industry)

Max. number of terminals (industry)	vertical	horizontal
2,5 mm <sup>2</sup>	5x161	8x102
4 mm <sup>2</sup>	4x135	7x85
6 mm <sup>2</sup>	4x102	7x64
10 mm <sup>2</sup>	3x82	6x52
16 mm <sup>2</sup>	3x68	5x43
35 mm <sup>2</sup>	2x51	4x32

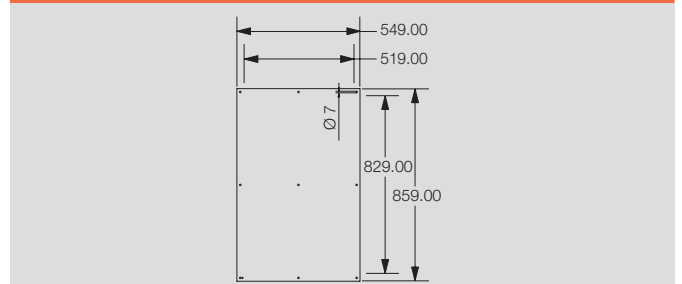
**Note** \*For enclosure versions with zero, one or two gland plates, the horizontal gap between the mounting feet is reduced by 30 mm. Assembly with terminal blocks provides for 10 mm clearance to the ends of the mounting rail. Recommended order: TS35 mounting rail (screw terminal) WDU 2.5 1020000000 / (tension clamp terminal) ZDU 2.5 1608510000 / (tension clamp terminal) PDU 2.5 1896110000 TS32 mounting rail (screw terminal) SAK 2.5 0279660000 TS15 mounting rail (screw terminal) AKZ 2.5 0697160000

Number of cable entries

Number of cable entries	A / B	C / D
M12	88	116
M16	58	80
M20	38	52
M25	33	42
M32	18	24
M40	15	20
M50	6	8
M63	5	6
M75	4	6

**Note** Our IP68 brass cable glands serve as a reference for these recommended values.

Dimensions of mounting plate





Height/Width/Depth 980 / 740 / 200 mm

**Ordering data**

Stainless steel 1.4404 316L, electropolished	Order No.
1 gland plate - bottom	1201010000
2 gland plates - positioned top and bottom sides (A & B)	1201020000
3 gland plates - positioned bottom, left and right sides (B, C & D)	1201030000
4 gland plates - positioned top, bottom, left and right sides (A, B, C & D)	1201040000

**Note** Painted sheet steel enclosure available on request. Standard colour is similar to RAL 7035.

**Accessories**

Mounting plate	Order No.
Steel sheet, zintec	1194050000
Stainless steel, 1.4301	1193920000

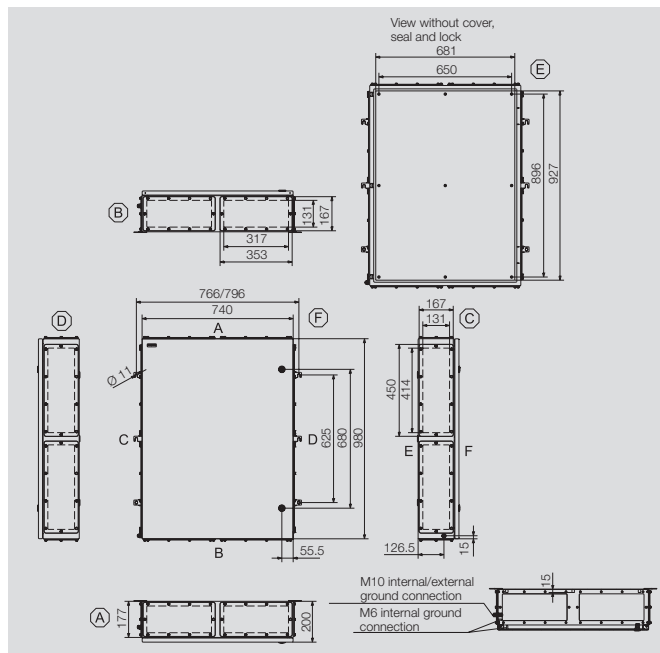
  

Stainless steel-Spacer M6 x 8, set of 4	Order No.
10 mm length	0935110000
15 mm length	0935120000
20 mm length	0935130000
30 mm length	0935140000

Sheet steel nickel plated Spacer M6 x 8, set of 2	Order No.
15 mm length	3896100000
20 mm length	3896200000
30 mm length	3896300000

**Note** System accessories can be found after the Klippon® TB QL product pages.



**Max. number of terminals (industry)**

Max. number of terminals (industry)	vertical	horizontal
2,5 mm²	6x174	9x127
4 mm²	6x146	8x106
6 mm²	5x110	7x80
10 mm²	4x88	6x64
16 mm²	4x74	5x54
35 mm²	3x55	4x40

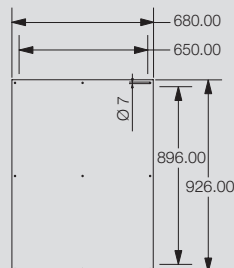
**Note** \*For enclosure versions with zero, one or two gland plates, the horizontal gap between the mounting feet is reduced by 30 mm. Assembly with terminal blocks provides for 10 mm clearance to the ends of the mounting rail. Recommended order: TS35 mounting rail (screw terminal) WDU 2.5 1020000000 / (tension clamp terminal) ZDU 2.5 1608510000 / (tension clamp terminal) PDU 2.5 1896110000 TS32 mounting rail (screw terminal) SAK 2.5 0279660000 TS15 mounting rail (screw terminal) AKZ 2.5 0697160000

**Number of cable entries**

Number of cable entries	A / B	C / D
M12	96	126
M16	64	84
M20	42	54
M25	36	48
M32	20	26
M40	16	22
M50	6	10
M63	6	8
M75	4	6

**Note** Our IP68 brass cable glands serve as a reference for these recommended values.

**Dimensions of mounting plate**



## Integrate, expand and customise: the perfect supplement to every application

The fully structured range of system accessories for the Klippon® TB enclosure series allows you to easily adapt the enclosure to meet the specific requirements of every application.

The following options are available:

- Type label holder – to attach identity plates
- Door stay – to securely hold in place an open enclosure lid
- Internal document holder – available in A4, A5 and A6 sizes
- Mounting plates – for custom enclosure component assembly
- Earth Stud Kits – available in either brass or stainless steel
- Locking Inserts with double bit or slotted lock, made from 1.4404 or 1.4301 stainless steel (Klippon® TB QL)
- Stainless steel padlock (Klippon® TB MH)

Other accessories such as rain hoods, spacers, and more are available on request.

Using the appropriate quality tools from Weidmüller guarantees a professional process – they can be found in chapter G.

All in all: ease of operation, maximum functionality and safety for the application and the user.



# Industry Segments

## Oil, gas & petrochemical industry

Applications placed into a harsh or hazardous environment require an approval. Our Klippon® TB range of enclosures are certified to a variety of international standards including the latest European ATEX 94/9/EG and IECEx standards. These enclosures are typically used in instrumentation and control applications and are ideally suited to meet the demanding needs of the petrochemical industries.



## Power industry

Designed to meet the quality and high standards demanded by the power industry (power generation and distribution). The enclosures are suitable for low voltage distribution, lighting and instrumentation applications.



# Application specific solutions – Your requirements are our motivation

Each industry has its own requirements calling for more and more individual solutions aside from standard products. Your new product might have to contend with severe conditions. Many applications are subjected to high mechanical strains – through vibration or directly applied forces. Extreme temperature conditions or the application in hazardous areas are further factors your product must be able to comply with. We offer you our competent and target-oriented support for the selection of ideal products for any application. Feel free to contact us!

Individual product development, customer specific assembly or application specific products that are ready for use – with an individual and perfect solution we want to help you to optimise working processes and to ensure your company's sustained efficiency today as well as for the future.

## Individual product development

In co-operation with you we will develop individual and future-oriented products on the highest technological level – tailored to your application.

## Customer specific assembly

According to your specifications we use our great production expertise and our broad product portfolio to set up the solution meeting your requirements.

## Application specific products

Our cross-industrial solutions set standards: Set up for your application, instantly ready for use and available from stock.



# Customer specific assembly



## Tailored configuration

### Consulting, products, development and manufacturing at one stop

As a reliable partner, Weidmüller configures intelligent enclosure solutions that are individually tailored to customer requirements. This enables the customer to reduce costs, enhance efficiency and concentrate fully on their core skills. Weidmüller has the application know-how and the capacities to offer tailored solutions – quickly, flexibly and economically. With partnership-based consulting, Weidmüller provides support in all areas and defines the tasks together with its customers. As the process continues, Weidmüller selects the ideal components from a wide product portfolio and configures them to create a solution that fits perfectly.



## Highest level of professional production

Weidmüller has professional project management and extensive manufacturing skill, for example in the area of ATEX or IECEx. A comprehensive portfolio of customer specific assemblies is available:

- Provision of windows, holes and threads in the enclosure
- Equipment with carrier rails
- Equipment with heli-coil inserts
- Enclosure cover, available on request with hinges and other accessories
- Sophisticated machining options such as mill cutting of contours
- Surface coatings on request: special paints, powder coatings, wet paint finish
- Individually co-ordinated device and system markers, e.g. engraved plastic and metal signs – riveted, glued and screw-fitted.
- Furthermore, screw-couplings, cable inlets, command and signal devices can be fitted together with internal wiring
- Welding, class C5, DIN 6700 for stainless steel and steel-plate enclosures



### Take multiple profit:

#### Simplification of ordering and stockholding

One solution – one item number! It will no longer be necessary to order single components. Article variety and stockholding will be reduced.

#### Professional assembly

All individual components will be pre-assembled thus reducing your assembly time.

#### Processing of enclosures

Weidmüller uses CNC machining centres to adapt enclosures individually for specific solutions.



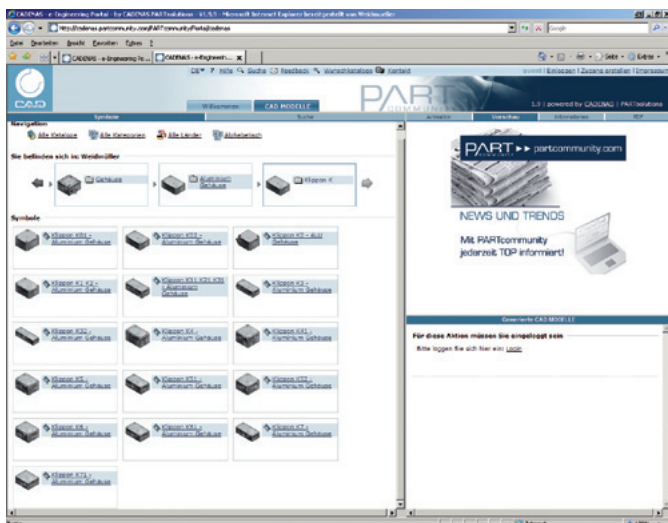
# Online product catalogue



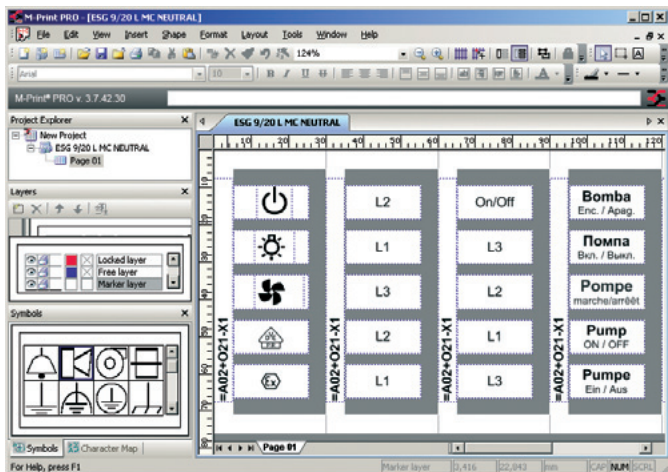
If you have questions about the specifications and details of our products, perhaps even outside normal business hours, then our online catalogue at <http://catalog.weidmueller.com> open 24 hours a day, 365 days a year, is the perfect source for information. Besides product features and part numbers, it contains extensive additional information on all product groups.

For further information, offers and your personal contact, simply consult the Weidmüller website at [www.weidmueller.com](http://www.weidmueller.com)

## CAD drawings



Drawings of Klippon® enclosures can also be downloaded directly in a wide variety of formats from the PART Server <http://portal-de.partcommunity.com/>



## M-Print® PRO label designer

The comprehensive range of Weidmüller services includes the M-Print® PRO software.

This is a professional standard, Windows®-based program for printing and ordering labels and markers that is coordinated with our current printing systems and marking materials.

M-Print® PRO enables you to design your labelling materials professionally and quickly. Texts, borders, lines, graphics, barcodes, serial numbers and photographs are all possible. The interface to RailDesigner® or your CAE system enables the transfer of all your configured data.

# Addresses worldwide

- AE United Arab Emirates**  
Weidmüller Middle East FZE  
P.O. Box 8591  
SAIF-Zone  
Sharjah – U. A. E.  
Phone +971 6 5672723  
Fax +971 6 5672724  
wme.info@weidmueller.com
- AR Argentina**  
CPI SA  
Bauness 2660  
1431 Buenos Aires  
Phone +54 11 45238008  
Fax + 54 11 45220546  
info@cpi.com.ar  
www.cpi.com.ar
- AT Austria**  
Weidmüller GmbH.  
Industriezentrum Nö Süd  
Straße 2, Objekt M2  
2355 Wiener Neudorf  
Phone +43 2236 6708-0  
Fax +43 2236 6708-199  
office.at@weidmueller.com
- AU Australia**  
Weidmüller Pty. Ltd.  
P.O.Box 6944  
Huntingwood Drive 43  
Huntingwood,  
NSW, 2148  
Phone +61 2 9671-9999  
Fax +61 2 9671-9911  
info@weidmuller.com.au  
www.weidmuller.com.au
- AZ Azerbaijan**  
West Industries Ltd.  
Caspian Plaza, 5-th Floor  
44 J. Jabbarly Str., Baku  
Phone +99412 499 15 15  
Fax +99412 499 14 93  
sales@west-i.com
- BA Bosnia and Herzegovina**  
BH ES ELEKTROSISTEM d.o.o.  
Bul. Vojvode S.  
Stepanovica kod br. 272  
78000 BiH - Banja Luka  
Phone +387 51 420-340  
Fax +387 51 420-341  
elsist@inecco.net  
www.elektrosistem.ba
- BE Belgium**  
Weidmüller Benelux B.V.  
Mechelsesteenweg 519 bus 6 en 7  
1930 Nossegem  
Phone +32 2 752 4070  
Fax +32 2 751 3606  
info@weidmueller.be  
www.weidmueller.be
- BG Bulgaria**  
Weid-Bul EOOD  
1756 Sofia  
13, bul. "Kliment Ohridski"  
Phone +359 2 9632560  
Fax +359 2 9631098  
sofia@weidbul.com  
www.weidbul.com
- BH Bahrain**  
Khayber Trading Company  
P.O. Box 1976 Manama,  
Phone +973 720747  
Fax +973 720331  
khayber@batelco.com.bh
- BR Brazil**  
Weidmüller Conexel do Brasil  
Rua Garcia Lorca, 176  
09695-900, Sao Paulo SP  
Phone +55 11 43669600  
Fax +55 11 43621677  
vendas@conexel.com.br  
www.conexel.com.br
- BY Belarus**  
TECHNIKON Ltd.  
Oktyabrskaya Str. 16/5  
Apt. 704, Minsk 220801  
Phone +375 17 2275830  
Fax +375 17 2275830  
technikon@belsonet.net
- CA Canada**  
W Interconnections CANADA Ltd.  
10 Spy Court, Markham,  
Ontario L3 R5 H6  
Phone +1 905 475-1507  
Fax +1 905 475-2798  
info1@weidmuller.ca  
www.weidmuller.ca
- CH Switzerland**  
Weidmüller Schweiz AG  
Rundbuckstraße 2  
8212 Neuhausen am Rheinfall  
Phone +41 52 6740707  
Fax +41 52 6740708  
info@weidmueller.ch  
www.weidmueller.ch
- CL Chile**  
Felipe Bahamondes S.A./ATS AGRO  
Maria Luisa Santander 0475  
Casilla 3425  
Santiago  
Phone +56 2 341-1271  
Fax +56 2 341-1275  
felipe@atsintech.com
- CN China**  
Weidmüller Interface International  
Trading (Shanghai) Co., Ltd.  
25F, BM Intercontinental Business  
Center,  
100 Yutong Road, Shanghai 200070  
P.R. China  
Phone +86 21 22195008  
Fax +86 21 22195009  
www.cnweidmuller.com
- CO Colombia**  
Automatización Avanzada S. A.  
Carrera 97 No.24c, 23 B4  
4 Bogotá D. C.  
Phone +57 1 5478510  
Fax +57 1 4223044  
comercial@  
automatizacionavanzada.com  
www.automatizacionavanzada.com
- CR Costa Rica**  
ELVATRON S.A.  
la Uruca 400 Norte  
Banco Costa Rica  
San José Costa Rica  
Phone +506 2 961060  
Fax +506 5 200609  
dirk.haase@elvatron.com  
www.elvatron.com
- CZ Czech Republic**  
Weidmüller s. r. o.  
Lomnického 5/1705  
14000 Praha 4  
Phone +420 2 44001400  
Fax +420 2 44001499  
office@weidmueller.cz  
www.weidmueller.cz
- DE Germany**  
Weidmüller GmbH & Co. KG  
P.O. Box 3054  
32720 Detmold  
Ohmstraße 9  
32758 Detmold  
Phone +49 5231 1428-0  
Fax +49 5231 1428-116  
weidmueller@weidmueller.de  
www.weidmueller.de
- DK Denmark**  
Wexoe A/S  
Lejrvej 31  
3500 Vaerloese  
Phone +45 45465800  
Fax +45 45465801  
wexoe@wexoe.dk  
www.wexoe.dk
- EC Ecuador**  
Elsystec S. A. Electricidad  
Sistemas y Tecnología  
Vasco de Contreras N35-25  
y Mañosa, Quito  
Phone +593 2 2456510  
Fax +593 2 2456755  
Elsystec@uio.satnet.net
- EE Estonia**  
Soots Interface OÜ  
Pärnu mnt 142  
11317 Tallinn  
Phone +372 5296177  
Fax +372 6096933  
info@sootsinterface.ee  
www.sootsinterface.ee
- EG Egypt**  
Standard Electric (OMEGA)  
87, Mohamed Farid Street  
Heliopolis, Cairo  
Phone +20 26422977  
Fax +20 26422955  
stdelec@rite.com
- ES Spain**  
Weidmüller S. A.  
Narcis Monturiol 11-13  
Pol. Ind. Sudoeste  
08960 Sant Just Desvern  
Barcelona  
Phone +34 93 4803386  
Fax +34 93 3718055  
weidmuller@weidmuller.es  
www.weidmuller.es
- FI Finland**  
JUHA-ELEKTRO OY  
P. O. Box 57, 641 Helsinki  
Kylvöpolku 6, 680 Helsinki  
Phone +358 10 8328 100  
Fax +358 10 8328 109  
info@juha-elektro.fi  
www.juha-elektro.fi
- FR France**  
Weidmüller E. U. R. L.  
12, Chaussée Jules César  
B.P. 263 Orny  
95523 Cergy Pontoise Cedex  
Phone +33 1 34245500  
Fax +33 1 34245501  
mail@weidmuller.fr
- GB Great Britain**  
Weidmüller Ltd.  
1 Abbey Wood Road  
Kings, West Malling  
ME19 4YT  
Phone +44 1732 877000  
Fax +44 1732 874296  
marketing@weidmuller.co.uk
- GR Greece**  
Electrorama S.A.  
1 An. Martail Str.  
41335 Larissa  
Phone +30 2410 552533188  
Fax +30 2410 283463189  
valizos@electrorama.com.gr
- Greece**  
GA Contact Solutions  
11, Ippokratous Str.  
14452 Metamorfoisi Attika  
Phone +30 210 2823233  
Fax +30 210 2823233  
gasaless@gmail.com
- HK Hong Kong**  
United Equity Limited  
Suite B, 11/F International Industrial  
Centre  
2-8 Kwei Tei Street, Fotan, Shatin  
Phone +852 26876739  
Fax +852 26876735  
united\_equity@sinatown.com
- HR Croatia**  
Elektro Partner d.o.o.  
Slavonska Avenija 24/6  
10000 Zagreb  
Phone +385 1 6184793  
Fax +385 1 6184795  
elektropartner@zg.t-com.hr
- HU Hungary**  
Weidmüller Kft  
Gubacsi út 6  
1097 Budapest  
Phone +36 1 3827700  
Fax +36 1 3827701  
info@weidmueller.hu
- ID Indonesia**  
PT. Nego Electrindo  
Ruko Mega Grosir Cempaka Mas,  
Blok 1, No 20 – 22  
Jl. Let.Jend. Suprato –  
Jakarta 10640  
Phone +62 21 42882255  
Fax +62 21 42882266  
sales@negoelectrindo.co.id
- IE Ireland**  
Please contact Weidmüller Ltd. in  
Great Britain
- IL Israel**  
A.U.Shay Ltd.  
P.O. Box 10049  
Embar Street 23/25  
Petch-Tikwa 49222  
Phone +972 3 9233601  
Fax +972 3 9234601
- Israel**  
ATEKA Ltd.  
23 Hayetzira St.  
Kiryat Aryeh  
49130 Petch-Tikva, Israel  
Phone +972 3 9392344  
Fax +972 3 9243273  
marketing@ateka.co.il  
www.ateka.co.il
- IN India**  
Weidmüller Electronics India Pvt. Ltd  
Plot # 32, 3rd Floor, North Court  
Lane North Avenue, Opp Jagger's Park  
Kalyani Nagar, Maharashtra  
411006 Pune  
Phone +91 9049800960  
Nitish.Rajan@weidmueller.de
- IR Iran**  
Tamin Ehtiajat Fani Tehran (TAF Co.)  
72, Iranshahr Ave.(Unit # 5)  
15816 Tehran  
Phone +98 21 8831-7851  
Fax +98 21 8882-0268  
tafco@safineh.net
- IS Iceland**  
Samey Automation Center  
Lyngas 13, 210 Garoabaer,  
Phone +354 510 5200  
Fax +354 510 5201  
samey@samey.is
- IT Italy**  
Weidmüller S.R.L.  
Via Albert Einstein 4  
20092 Cinisello Balsamo  
Milano  
Phone +39 02 660681  
Fax +39 02 6124945  
weidmuller@weidmuller.it  
www.weidmuller.it
- JO Jordan**  
HORIZONS  
P.O.Box: 330607  
Amman Jordan 11133  
Phone +962 6 4882114  
Fax +962 6 4882115  
horizons@go.com.jo
- JP Japan**  
Nihon Weidmüller Co. Ltd.  
Sphere Tower Tennoz,  
2-2-8 Higashi-Shinagawa,  
Shinagawa-Ku, Tokyo 140-0002  
Phone +81 3 6711-5300  
Fax +81 3 6711-5333  
www.weidmuller.co.jp
- KR Korea**  
Weidmüller Korea Co., Ltd.  
6floor, Sukyong building, 242-54  
Nonhyun-dong, Kangnam-Gu  
Seoul, Korea  
Zip: 135-830  
Phone +82 2 5160003  
Fax +82 2 5160090  
info@weidmuller.co.kr
- KW Kuwait**  
KANA CONTROLS General  
Trading & Cont. CO. W.L.L.  
Al Rai Industrial Area,  
Plot 28-30, St. 31  
P.O.Box: 25593  
Safat, 13016  
Phone +966-474 1373/4  
Fax +966-474 1537  
info@kanacontrols.com

Group companies **DE**

Agency abroad **DE**

Without own Agency **DE**

**LB Lebanon**  
Progress Engineering & Trading Enterprises  
Al Nahr Street  
Beirut  
Phone +961 1 444664  
Fax +961 1 561880  
progress@inco.com.lb

**LT Lithuania**  
ELEKTROS IRANGA  
Tinklu g.29a, 5319 Panevezys  
Phone +370 45582828  
Fax +370 45582727  
info@eliranga.lt

**LU Luxembourg**  
Please contact Weidmüller  
Benelux B.V. in the  
Netherlands

**LV Latvia**  
SIA "ABI4"  
56A Daugavgrivas str.  
1007 Riga  
Phone +371 67470999  
Fax +371 67465637  
abi\_4@tvnet.lv

**MD Moldova**  
BERHORD A&D srl  
44, str. Sarmizegetusa 37/3  
Off 414, b-dul Decebal, 3,  
Chisinau, MD 2001  
Phone +373 22 507137  
Fax +373 22 507134  
atiuleanu@berhord.com

**ME Montenegro**  
Please contact  
ES-YU Elektrosistem in Serbia

**MK Macedonia**  
ELEKTRO – SMK doool  
UL. III Makedonska brigada b.b.  
1000 Skopje  
Phone +389 22 460 295  
Fax +389 22 460 298  
Elektro-smk@telekabel.net.mk

**MT Malta**  
E. S. S., Electrical Supplies  
& Services Ltd  
104 J. Sciberras Str.  
Hamrun HMR 08  
Phone +356 21 255 777  
Fax +356 21 255 999  
robert@ess.com.mt

**MU Mauritius**  
MUBELO Electrical Ltd  
Office 26, Gateway building,  
St. Jean Road, Quatre Bornes  
Phone +230 467 0989  
Fax +230 465 4051  
richard.mubelo@orange.mu

**MX Mexico**  
W Interconnections, S.A. DE C.V.  
Blvd. Hermanos Serdán No. 698  
Col. San Rafael Oriente  
Puebla, C.P. 72029  
Phone +52 222 22686227  
clientes@weidmuller.com.mx

**MY Malaysia**  
Connect Plus Technology Sdn Bhd  
No. 43, Jalan PJS 11/22,  
Bandar Sunway, 46150 Petaling Jaya  
Selangor Darul Ehsan  
Phone +60 3 5633 7363  
Fax +60 3-5633 6562  
paul@cptech.com.my  
www.cptech.com.my

**NL Netherlands**  
Weidmüller Benelux B.V.  
Franciscusweg 221  
1216 SE Hilversum  
Postbus 1505  
1200 BM Hilversum  
Phone +31 35 6261261  
Fax +31 35 6232044  
info@weidmuller.nl

**NO Norway**  
Siv. Ing. J. F. Knudtzen A/S  
Billingstadsletta 97  
P.O. Box 160  
1378 Nesbru  
Phone +47 66 983350  
Fax +47 66 980955  
firmapost@jfkudtzen.no  
www.jfkudtzen.no

**NZ New Zealand**  
Cuthbert S. Steward Limited  
27 Te Puni Street  
POB 38496  
Petone, Wellington  
Phone +64 4 5686156  
Fax +64 4 5686056  
info@weidmueller.de

**OM Oman**  
DAN INTERNATIONAL LLC.  
PO.BOX 2901  
111 Seeb  
Phone +968 503 677  
Fax +968 503 755  
yedu@danintl.com

**PE Peru**  
IMGEPRO DEL PERU S.A.C.  
Jr. Arequipa 3410, Lima 31, Peru  
Phone / Fax +51 1 569-7678  
dbernardo@imgepro.com.pe  
www.imgepro.pe

**PH Philippines**  
Enclosure Systems Specialists Inc  
W-15 La Fuerza Compound  
2241 Don Chino Roces Avenue  
Makati City 1231  
Phone +63 2 813 8580  
Fax +63 2 813 8596  
sales\_encsys@pltdtdsl.net

**PK Pakistan**  
Kana Controls (Pak)  
Apartment No. 33 C III  
Chenab Block,  
Allama Iqbal Town  
Lahore, Pakistan  
Phone +92 42 5419948  
+92 42 7845160  
Fax +92 42 5422895  
nadeem@kanapak.com  
www.kanapak.com

**PL Poland**  
Weidmüller Sp. z o.o.  
Ul. Golezdzinowska 10  
03-302 Warszawa  
Phone +48 22 5100940  
Fax +48 22 5100941  
biuro@weidmuller.com.pl  
www.weidmuller.pl

**PT Portugal**  
Weidmüller Sistemas de  
Interface S. A.  
Estrada Outeiro Polima, R. Augusto  
Dias da Silva, Lote B, Esc. 2  
2785-515 Abóboda -São Domingos  
de Rana  
Phone +351 21 4459191  
Fax +351 21 4455871  
www.weidmueller.pt

**QA Qatar**  
Doha Motors Trading Co.  
(Technical Division)  
Post Box No. 145  
Airport Road  
Doha - Qatar  
Phone +974 465 1441  
Fax +974 465 0925  
dmttech@qatar.net.qa

**RO Romania**  
Rominterface Impex SRL  
Str. Gh. Dem Teodorescu 30 A  
30916 Bucuresti - sector 3  
Phone +40 21 3220230  
Fax +40 21 3228857  
office@rominterface.ro

**RS Serbia**  
ES-YU Elektrosistem  
Pariske komune 41  
11070 Novi Beograd, Serbia  
Phone +381 11 3018660  
Fax +381 11 2693608  
esyu@eunet.rs  
www.elektrosistem.co.rs

**RU Russia**  
Weidmüller Interface GmbH & Co. KG  
Representative Office  
Varshavskoye highway, 25A, bld. 6  
117105 Moscow  
Phone +7 4 95 771-6940  
Fax +7 4 95 771-6941  
info@weidmuller.ru  
www.weidmuller.rus

**SA Saudi Arabia**  
Al Abdulkarim Holding Co.  
P.O. Box. 4  
Dammam 31411  
Phone +9668337110  
Fax +9668338242  
salehsk@akh.com.sa  
www.akte.com.sa

Saudi Electric Supply Co.  
P.O. Box 3298  
Al Khobar 31952  
Phone +966 3 882 9546227  
Fax +966 3 882 9547  
Safdar.malik@sesco-ge.com

**SE Sweden**  
Weidmüller AB  
Axel Daniéssons väg 271  
P.O. box 31025  
200 49 Malmö  
Phone +46 (0) 7 71 43 00 44  
Fax +46 (0) 40 37 48 60  
info@weidmuller.se  
www.weidmuller.se

**SG Singapore**  
Weidmüller Pte. Ltd.  
70 Bendemeer Road  
#04-03 Luzerne  
Singapore 339940  
Phone +65 6841 5311  
Fax +65 6841 5377  
info@weidmuller.com.sg  
www.weidmuller.com.sg

**SI Slovenia**  
ELEKTROSPOJJI d.o.o.  
Stegne 25, 1000 Ljubljana  
Phone +386 15113810  
Fax +386 15111604  
info@elektrospojji.si  
www.elektrospojji.si

**SK Slovakia**  
ELEKTRIS s.r.o.  
Elektrárenská 1  
83104 Bratislava  
Phone +421 2 49200113  
Fax +421 2 49200119  
bratislava@elektris.sk

**TH Thailand**  
Pisanu Engineering Co., Ltd  
800/43-45 Soi Trakulsuk  
Asoke-dindaeng Road,  
Dindaeng, Bangkok 10400  
Phone +66 2 245 9113  
Fax +66 2 6429220  
jayasankar@pisanu.co.th  
www.pisanu.co.th

**TN Tunisia**  
Please contact  
Weidmüller E.U.R.L. in France

**TR Turkey**  
Weidmüller Elektronik Ticaret Ltd.  
Sirketi  
Kavacik Mah. Orhan Veli Kanik  
Caddesi 9/1  
34810 Beykoz – İstanbul  
Phone +90 216 5371070 (Pbx)  
Fax +90 216 5371077  
info@weidmuller.com.tr  
www.weidmuller.com.tr

**TW Taiwan**  
Fittatek Co., Ltd.  
12F No. 165 Fu-Kuo Road,  
Tso Ying Dist, Kaohsiung  
Phone +886 7 556 0858  
Fax +886 7 556 3279  
stanley@fittatek.com.tw  
www.fittatek.com.tw

**Taiwan**  
Eucan Enterprise Ltd.  
No. 145 He Ping 2nd Rd  
Kaohsiung  
Phone +886 7 715 6610  
Fax +886 7 715 8748  
mark@eucan.com.tw  
www.eucan.com.tw

**UA Ukraine**  
TEKO INTERFACE ooo  
ul. Lewanewskogo 6  
03058 Kiev  
Phone +38 044 401 09 90  
Fax +38 044 401 08 64  
weidmuller@tekointerface.com  
www.tekointerface.com.ua

**US United States**  
W-Interconnections Inc.  
821 Southlake Boulevard,  
Virginia - Richmond 23236  
Phone +1 804 7942877  
Fax +1 804 3792593  
info@weidmuller.com  
www.weidmuller.com

**UY Uruguay**  
REWU Uruguay S.A  
Av. Bolivia 2001 Esq Rocafuerte  
Carrasco Montevideo 11300  
Phone / Fax +598 260 48439  
clorda@rewouruguay.com.uy

**UZ Uzbekistan**  
OOO "Elektro Potential"  
Gani Mavijanovna str., 2B  
100084 Tashkent  
Phone +998 98-3003821  
Fax +998 71-1249286  
mzi1958@yandex.ru

**VE Venezuela**  
Somierinca C.A.  
Quinta Sagrado Corazon de Jesus -  
3ra Transversal - Los Dos Caminos,  
Caracas 1070 - A  
Phone +58 212 2352748  
Fax +58 212 2399341  
kiocmoeller@cantv.net  
www.kmsomerinca.com.ve

**VN Vietnam**  
AUMI Co., Ltd  
E1, La Thanh Hotel,  
218 Doi Can Street,  
Lieu Giai Ward, Ba Dinh District,  
Hanoi City  
Phone +84 4762 8601  
Fax +84 4266 1391  
aumi@aumi.com.vn

Linh Kim Hai Co., Ltd  
78 Hoa Cuc Street Ward 7,  
Phu Thuan District,  
Ho Chi Minh City  
Phone +84 8517 1717  
Fax +84 8517 1818  
lkh@linhkimhai.com.vn

New Sky Co., Ltd  
44/28 Tan Hai Street,  
Ward 13, Tan Binh District,  
Ho Chi Minh City  
Phone +84 8812 6593  
Fax +84 8812 6594  
newsy-e@hcm.vnn.vn  
www.newsky-e.com

**ZA South Africa**  
Phambili Interface (Pty) Ltd  
P.O. Box 193, 1609 Johannesburg  
5 Bundo Road, Sebenza  
1610 Johannesburg, Endenvale  
Phone +27 11 452 1930  
Fax +27 11 452 6455  
sales@weidmuller.co.za  
www.radicinterface.co.za

**DE Other countries**  
Weidmüller Interface GmbH & Co. KG  
Postfach 3030  
32720 Detmold  
Klingenbergstraße 16  
32758 Detmold  
Phone +49 5231 14-0  
Fax +49 5231 14-2083  
info@weidmuller.de  
www.weidmuller.com

# www.weidmueller.com

Argentina	Indonesia	Saudi Arabia
Australia	Iran	Serbia
Austria	Ireland	Singapore
Azerbaijan	Israel	Slovakia
Bahrain	Italy	Slovenia
Belarus	Japan	South Africa
Belgium	Jordan	Spain
Bosnia and Herzegovina	Kazakhstan	Sweden
Brazil	Korea	Switzerland
Bulgaria	Kuwait	Taiwan
Canada	Latvia	Thailand
Chile	Lebanon	Tunisia
China	Lithuania	Turkey
Colombia	Luxembourg	Ukraine
Costa Rica	Macedonia	United Arab Emirates
Croatia	Malaysia	United States
Czech Republic	Malta	Uruguay
Denmark	Mexico	Uzbekistan
Ecuador	Moldova	Venezuela
Egypt	Netherlands	Vietnam
Estonia	New Zealand	
Finland	Norway	
France	Oman	
Germany	Pakistan	
Great Britain	Peru	
Greece	Philippines	
Hong Kong	Poland	
Hungary	Portugal	
Iceland	Qatar	
India	Romania	
	Russia	

**Weidmüller is a leading international provider of solutions for electrical connectivity, transmission and conditioning of power, signal and data in industrial environments.**

**The company with headquarters in Detmold/Germany develops, produces and sells products in the field of electrical connectivity and electronics all over the world. Via a network of application specialists Weidmüller offers engineering services and develops application specific solutions.**

**The complete product and service portfolio consistently assures both Weidmüller and its customers of competitive advantages and an increase in value.**

We cannot guarantee that there are no mistakes in the publications or software provided by us to the customer for the purpose of making orders. We try our best to quickly correct errors in our printed media.

All orders are based on our general terms of delivery, which can be reviewed on the websites of our group companies where you place your order. On demand we can also send the general terms of delivery to you.

Order number:  
1274280000/08/2011 SMDM

