



► **Switch Specifications of 22 / 23 / 25 / 30 / 31 / 60 Series**

Characteristics	Contact Type	Unit	Normal Open (0) (For 23,25,30,31)	High Power (1) (For 25,30,31)	Normal Close (2) (For 30)	Change Over (3) (For 30)
• Switched Power (max)		W	5 / 10	70	5	5
• Switched Voltage DC (max)		V	160 / 200	200	175	175
• Switched Voltage AC,RMS value (max)		V	110 / 110	250	125	125
• Switched Current DC (max)		mA	250 / 500	1000	400	400
• Switched Current AC,RMS value (max)		mA	250 / 500	1000	280	280
• Contact Resistance (initial max)		mΩ	100	90	140	140
• Insulation Resistance (min)		MΩ	10 ⁶	10 ⁶	10 ³	10 ³
• Operate Time -		ms	0.1 / 0.4	0.35	1.0	1.0
• Operating ambient		°C	-55 ~70	-55~70	-55 ~70	-55 ~70



► **Switch Types**

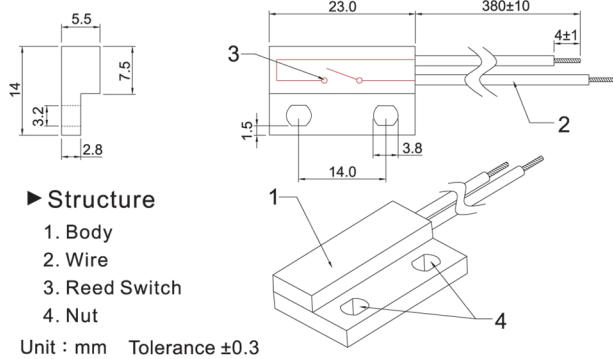
Table 1

<p>0 : Normal Open - A Type</p>	<p>1 : Normal Open - A Type Hi Power</p>	<p>2 : Normal Close - B Type</p>	<p>3 : Change Over - C Type</p>
---------------------------------	--	----------------------------------	---------------------------------

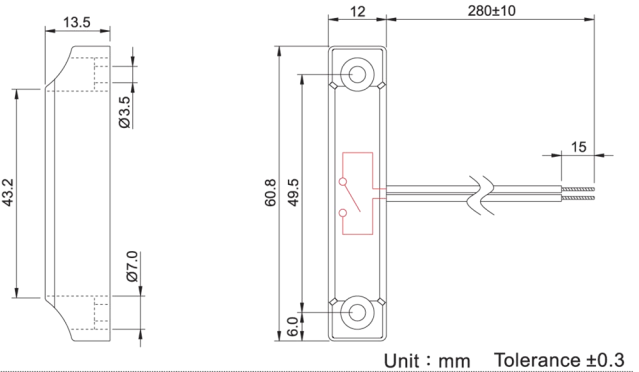
► **Model Dimensions**

Table 2

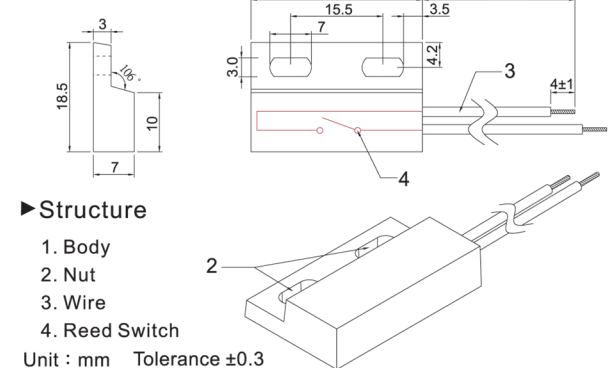
23 Series



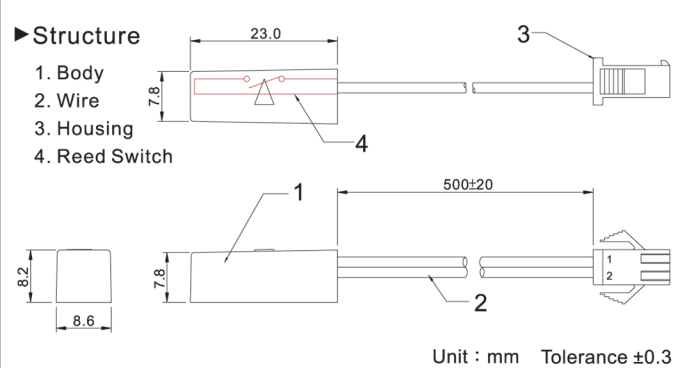
KMS-60-0-PVNO



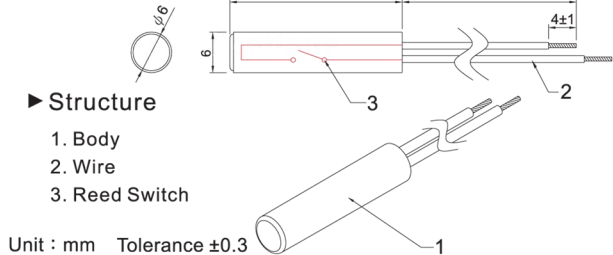
30 Series



KMS-22-0-W071



25 / 31 Series



► **Ordering Information**

A Complete part number is represented by the digits below :

KMS-XX-X - XX XX

① : Model Number - Table 2 (23,25,30,31)
 ② : Switch Type - Table 1 (0,1,2,3)
 ③ : Wire Specifications - Table 3 - Material(PV=PVC ; PF=PVDF)
 - Series(NO= Tinned leads ; CN=Cont)

For 30
 For 25,30,31
 For 23,25,30,31

☆☆☆ The wires are not aligned at the end ☆☆☆