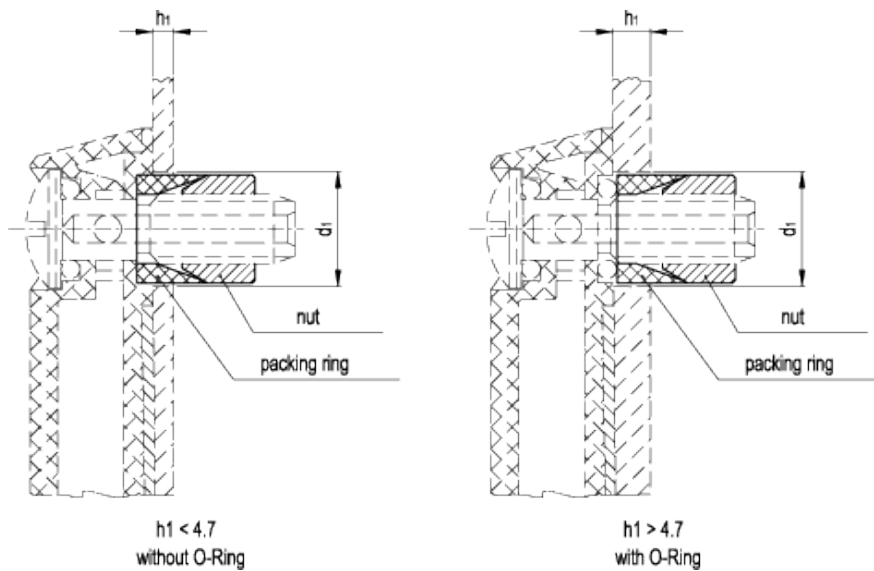


FM Kit

Fast Mounting Kit



technical informations

Nut

Zinc-plated steel.

Packing ring

NBR synthetic rubber.

Features

The Fast Mounting Kit has been designed for mounting level indicators series HCX. (measures 76,127 and 254) from the outside when nuts cannot be fitted from the inside of the reservoir.

Assembly of the indicator with the Fast Mounting Kit

1. Follow the assembly data reported in the table.

2. Make sure that the hole in the plate does not have any burrs, especially inside the reservoir.
3. Before assembly the indicator on the reservoir, slightly tighten the nut by hand against the packing ring. We advise you, then, to deform slightly the threaded end of the screw in order to prevent the nut from falling into the reservoir while disassembling the indicator.
4. To disassemble the indicator from the reservoir, just rotate the screw 3/4 of a turn keeping the plastic part of the indicator under tension (pulling).



Standard Elements		$d_1^{+0.1}$	Without O-Ring		With O-Ring		Maximum tightening torque
Code	Description		h_1 min	h_1 max	h_1 min	h_1 max	
31801	FM-HCX.76-M10-KIT	16	1.5	4.7	4.7	6.3	7
31811	FM-HCX.127-254-M12-KIT	17.5	1.5	4.7	4.7	6.3	7



ELESA and GANTER models all rights reserved in accordance with the law. Always mention the source when reproducing our drawings.

STANDARD MACHINE ELEMENTS WORLDWIDE