

SNAP-IN PC CLIPS

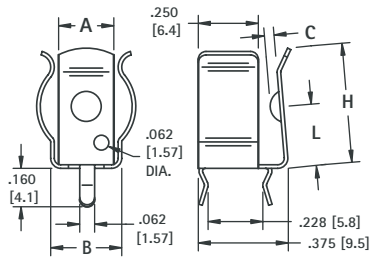


- Available for "A" • "AA" • "AAA" • "AAAA" • "N" size batteries
- Mounts securely to the PC board with advanced "Snap-In" design for thru hole mounting
- "Snap-In" clip holds firmly for wave soldering
- Reliable spring tension assures low contact resistance
- Low profile, economical design
- Retains battery securely to withstand shock and vibration

No Ears

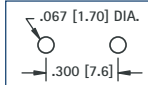


For "A" • "AA" • "AAA" • "N"

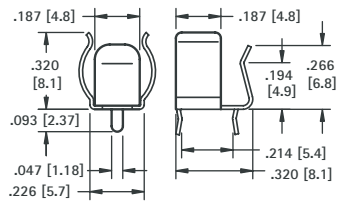


Refer to page 25 for Battery Contact Layout & Mounting Details

Mounting Detail

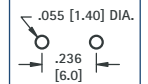


For "AAAA"



MATERIAL: .010 (.25) thick Spring Steel, Tin Nickel Plate

Mounting Detail



CAT. NO. 51

MATERIAL: Spring Steel Tin Nickel Plate

CAT. NO.	A	B	C	H	L	MATERIAL THICKNESS	BATTERY DIAMETER	BATTERY SIZE	
52	.250 (6.4)	-	.032 (0.8)	.500 (12.7)	.280 (7.1)	.010 (.25)	No Ears		
92	.312 (7.9)	.375 (9.5)	.056 (1.4)	.593 (15.1)	.359 (9.1)	.012 (.30)		"A" • "AA"	
2915	.312 (7.9)	.375 (9.5)	.050 (1.3)	.593 (15.1)	.359 (9.1)	.015 (.39)	531-.665 (13.5-16.9)		
82	.250 (6.4)	.300 (7.6)	.040 (1.0)	.500 (12.7)	.280 (7.1)	.010 (.25)	.375-.460 (9.5-11.7)	"AAA" • "N"	
51	See drawing for Cat. No. 51					.010 (.25)	.300-.350 (7.6-8.9)	"AAAA"	

SURFACE MOUNT BATTERY CLIPS

AVAILABLE ON TAPE AND REEL

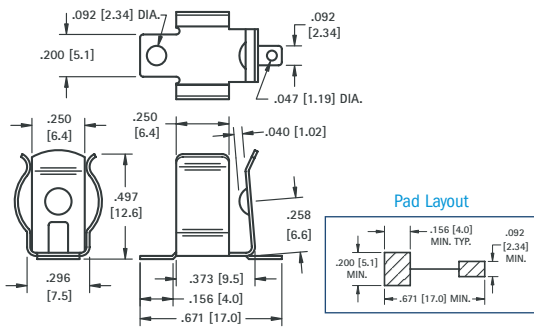
- Low profile for densely packed PCBs
- "Flow-Hole" SMT solder tail design for increased joint strength
- Retains cell securely, withstands shock and vibration
- All conductive polystyrene carrier tape meets ANSI/EIA -481 standard

MATERIAL: .010 (.25) thick Spring Steel, Tin Nickel Plate

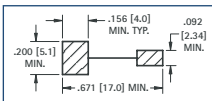
Refer to page 25 for Battery Contact Layout & Mounting Details



For "AAA" • "N"



Pad Layout

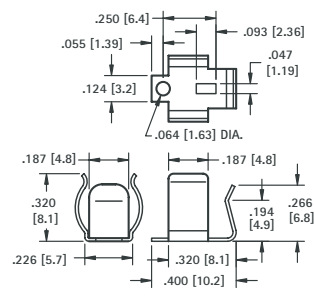


CAT. NO. 55 (Bulk)

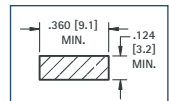
CAT. NO. 55TR (Tape & Reel)

Tape & Reel Spec's: 32mm wide; 16mm pitch; 13 inch reel, (300 pieces per reel)

For "AAAA"



Pad Layout



CAT. NO. 50 (Bulk)

CAT. NO. 50TR (Tape & Reel)

Tape & Reel Spec's: 24mm wide; 16mm pitch; 13 inch reel, (500 pieces per reel)

ECONOMY CONTACTS

For "AA" • "C" • "D"

- Designed for mounting in self-contained, non-metallic battery compartments.
- Reliable spring tension assures low contact resistance.
- Recessed contact holds battery in place.
- All clips have anti-rotation tab.

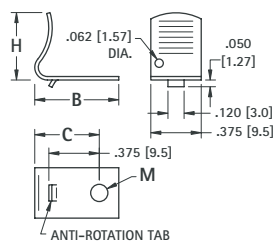
MATERIAL: .016 (.41) thick Spring Steel, Nickel Plate

CAT. NO.	FIG. NO.	B	C	H	M	MTG. HOLE	CELL SIZE
206	1	.625 (15.9)	.480 (12.2)	.500 (12.7)	.128 (3.3)	"AA"	
207	2	.687 (17.4)	.547 (13.9)	.875 (22.2)	.128 (3.3)	"C"	
208	2	.750 (19.1)	.562 (14.3)	1.260 (32.0)	.128 (3.3)	"D"	

Refer to page 25 for Battery Contact Layout & Mounting Details



FIG. 1



ANTI-ROTATION TAB

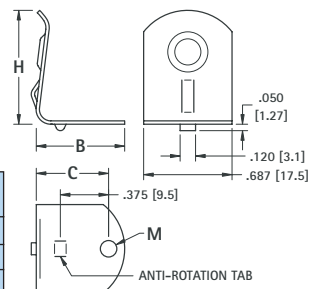


FIG. 2