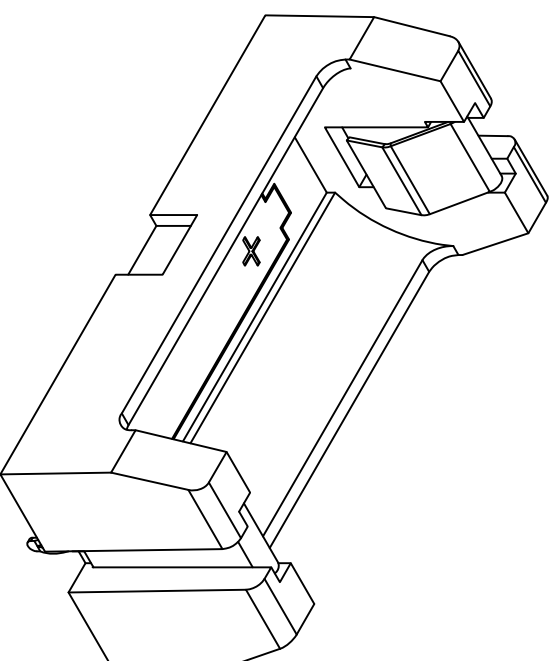
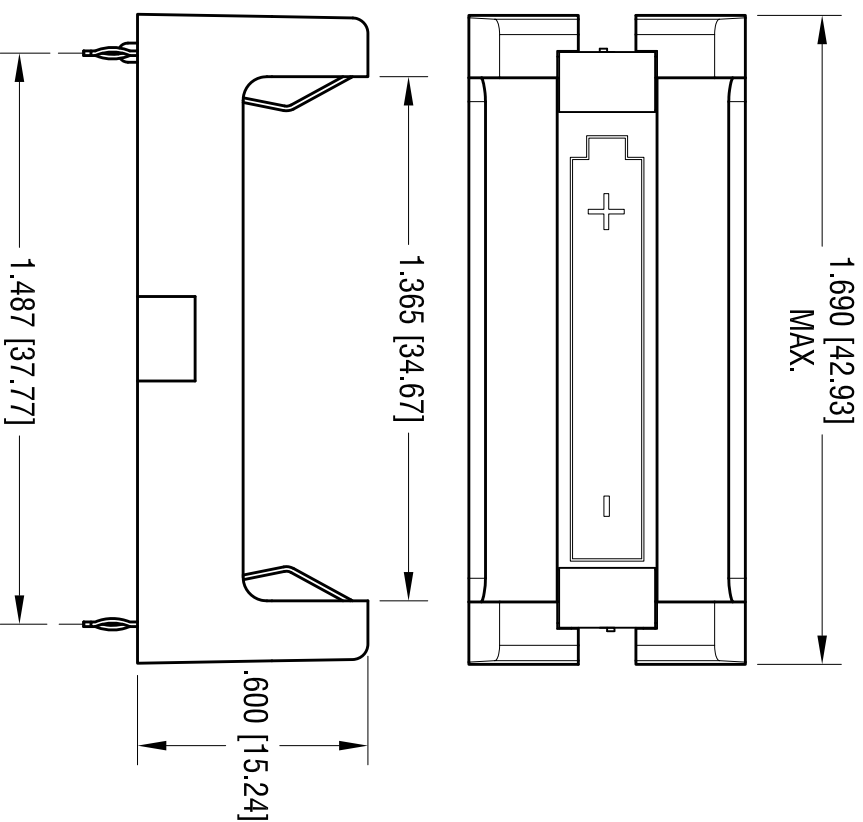
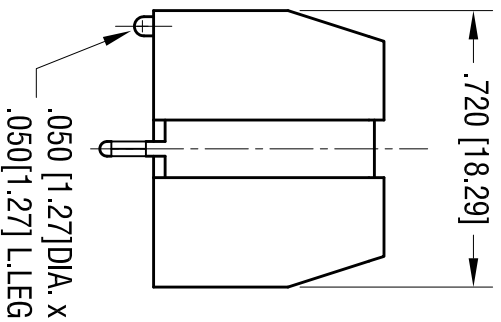
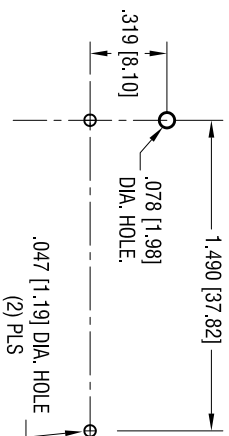


MOUNTING PAD LAYOUT



NOTE:

1. BASE:
MAT'L: HEAT RESISTANCE NYLON
STANYL 46 OR EQUIVALENT
2. CONTACT:
MAT'L: .012 [0.30] THK PHOSPHOR BRONZE
FINISH: TIN NICKEL PLATE.

DATE

8.14.09

DESCRIPTION

CHANGE AS PER ECN 09-112

REV.

A

KEYSTONE ELECTRONICS CORP.

www.keystec.com • ASTORIA, N.Y. 11105-2017 • Tel (718) 956-8900

PART NAME

THM 2/3A BATTERY HOLDER

MATERIAL

AS NOTED

FINISH

AS NOTED

TOLERANCES	INCH	[MM]	CODE	DWG NO.
DECIMAL	± .010	[± 0.25]	C	1019
ANGULAR	± 1°			

THIS DOCUMENT IS THE PROPERTY OF KEYSTONE ELECTRONICS CORP. AND SHALL NOT BE REPRODUCED, DISTRIBUTED OR USED AS A BASIS FOR MANUFACTURE WITHOUT PRIOR WRITTEN PERMISSION FROM KEYSTONE ELECTRONICS CORP.

DRN BY: NT DATE: 6.01.09

APP'D: LN SCALE: 2X