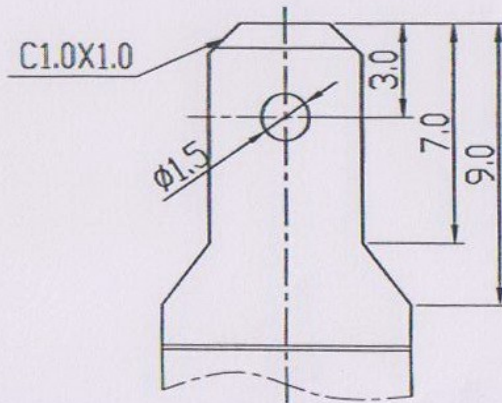
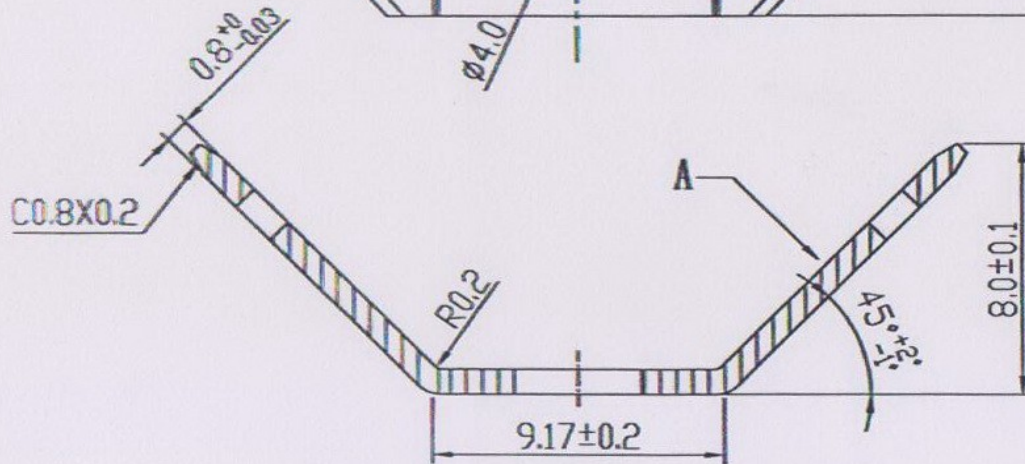
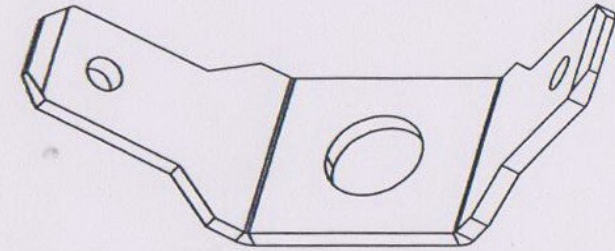
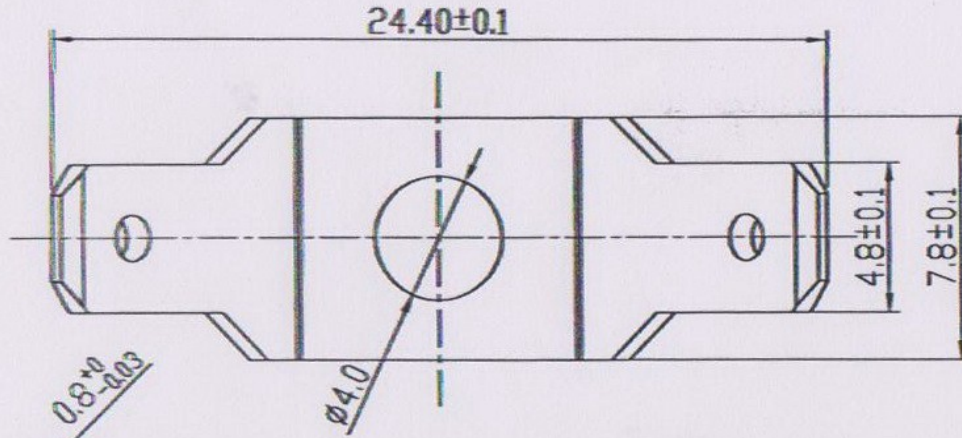


REVISION RECORD				
REV	ECD	DESCRIPTION	DRFT	DATE



A向视图

Notes:

1. Material: H62 H/2, T=0.8mm;
2. Plating: Cu plated at the bottom is more than 2um; Ni plated on the surface is more than 2um; Sn plated at the bottom is more than 4um;
3. Undimensioned Tolerances:

Pitch range in mm	Nominal dimension range in mm						—		
	over 6 to 10	over 10 to 24	over 30 to 60	over 60 to 100	over 100 to 150	over 150			
to 6	±0.10	±0.15	±0.25	±0.2	±0.3	±0.5	±0.7	±1.0	0.005/0



1	K19	C1910	H62	SnCe	
ITEM	NAME OF PART	NO. OF PART	Q*TY	MATERIAL	NOTES
HM (CINCO) TOLERANCES EXCEPT AS NOTED MM ± * .00 ± * .000 ± *		DFTD YHG CHKD <i>wy</i> MFD APPR <i>Huang</i> ANGLES ± 1° THIRD ANGLE PROJECTION	DATE 11/11/08 DATE 10-30-07 DATE DATE 10-30-07 FINISH SCALE: 1:1	宁波高正电子有限公司 DEGSON® DEGSON ELECTRONICS CO., LTD NAME K19-00A (H) DRAWING NO. K19-E01 /PART NO. DO NOT SCALE DRAWING	
SIZE A4			REV TO 10/23/07	SHEET 1 OF 1	