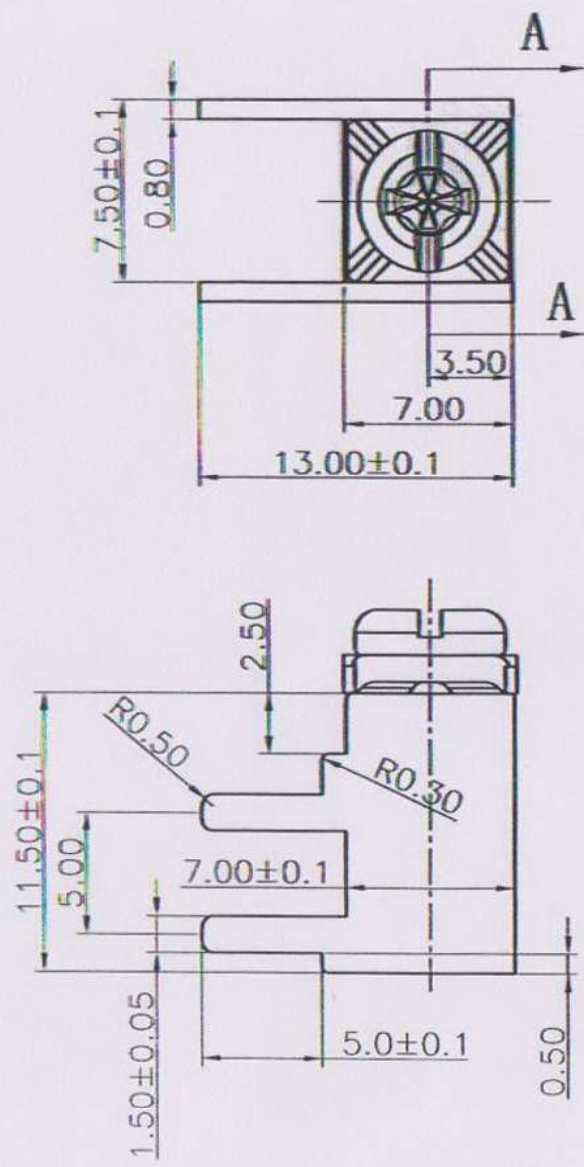


\\degson-wenguan\010 文档中心\收图面\K15.dwg, 2009 7 29 9:48:01, 在 DEGSON-WENGUAN 上自动 HP LaserJet 1020

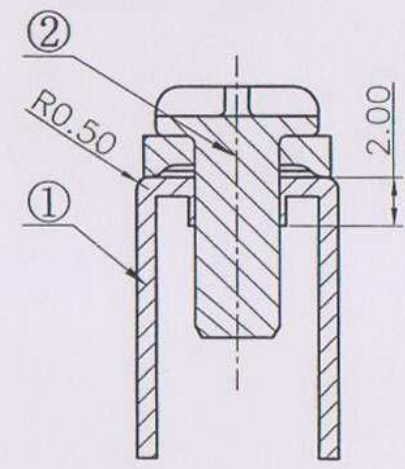
REVISION RECORD				
REV	ECO	DESCRIPTION	DRFT	DATE
△		PART NO. REVISE	WF	12/23/05
△		PART NO. REVISE	WF	08/18/06
△		PART NO. REVISE	WLM	07/29/09



NOTE:

1. Max. Torque Value: 8Kgf. cm;
2. Wire Range: 18-14AWG;

Pitch range in mm		Nominal dimension range in mm							
to	over	to	over	to	over	to	over		
6	6	10	10	24	30	30	60	100	150
6	10	10	24	30	60	100	150	150	150
±0.10	±0.15	±0.25	±0.2	±0.3	±0.5	±0.7	±1.0	±0.05	±0.05



Section A-A



2	TSB2.5-bright screw	S000004110	1	steel	Ni plated
1	K15-pin	C1510	1	Brass	SnCe
ITEM	NAME OF PART	NO. OF PART	Q'TY	MATERIAL	NOTES
TOLERANCES EXCEPT AS NOTED		DATE 09/08/04	宁波高正电子有限公司 DEGSON ELECTRONICS CO., LTD		
MM (INCH)		CHKD DATE	NAME		
TOLERANCES EXCEPT AS NOTED		MFO DATE	K15-00A		
MM ±		APPL. DATE 07/29/09	DRAWING NO. K15-E01		
.0 ±0.1 ±		MATERIAL :	SIZE A3		
.00 ±0.00 ±		G.E. :	REV 14		
.000 ±0.01 ±		FINISH :	07/29/06		
ANGLES ± °		SCALE : 1:1	DO NOT SCALE DRAWING		
THIRD ANGLE PROJECTION		SHEET 1		OF 1	