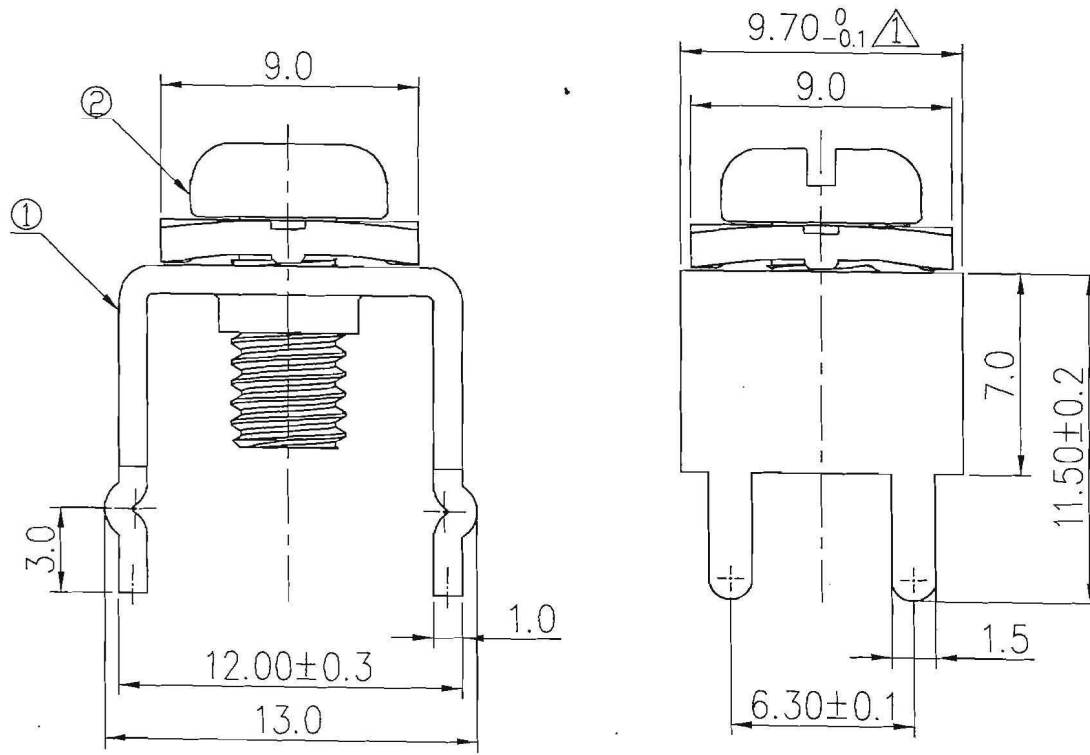
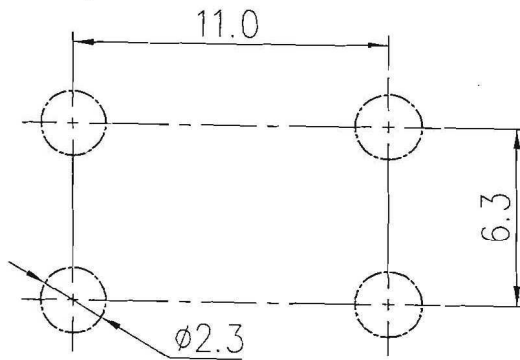


REVISION RECORD				
REV	ECN	DESCRIPTION	DRFT	DATE
△	14-0003	变更尺寸, 改善打结	zdz	01/03/14



- Notes:
1. Max. Torque Value: M4, 12.24kgf.cm;
  2. Wire Range: 18-14AWG;
  3. Undimensioned tolerances:

PCB Lay out:



Pitch range in mm		Nominal dimension range in mm							
to	over	to	over	over	over				
6	6 to 10	10 to 24	30 to 60	60 to 100	100 to 150	□			
	±0.10	±0.15	±0.25	±0.2	±0.3	±0.5	±0.7	±1.0	0.05/10

2	M4*8(9*9)"+Screw	S000000580(H)		Steel	Ni plated
1	K13-Header	C1310(H)	1	Brass	Sn plated
ITEM	NAME OF PART	NO. OF PART	Q"TY	MATERIAL	
				MATERIAL:	
				FINISH:	
				PART NO.:	
				NAME:	
				TITLE: ASSEMBLY DRAWING	
				REV	T1
				DRAWING NO: K13-E01	
				DO NOT SCALE DRAWING	
				SCALE	N/A
				SHEET	1/1

H  
G  
F  
E  
D  
C  
B  
A