

MUH

MECHANICAL HYGROSTAT

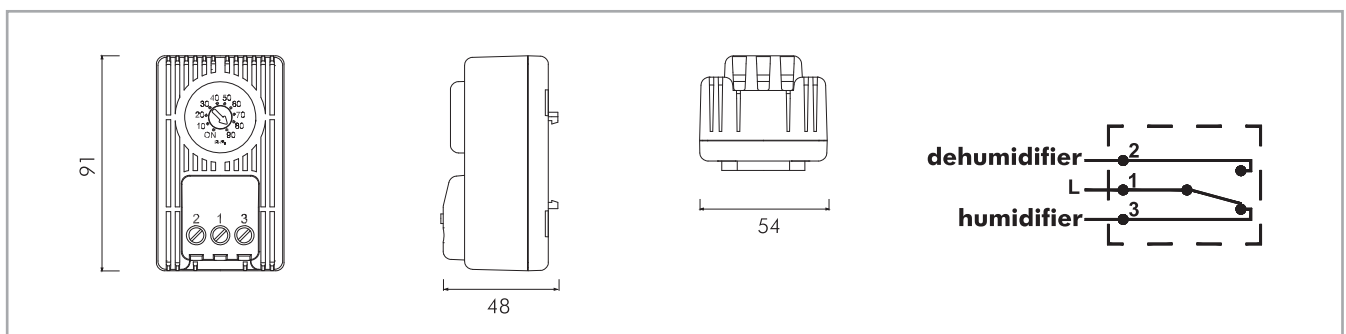
Hygrostat for DIN 35 mm. rail mounting.
Typically used to control enclosure heaters.



| Features | Unit | MUH |
|---------------------------------|---------|--|
| Relative Humidity setting range | RH% | 20-90 |
| Relative Humidity Hysteresis | RH% | 5 (max 10) |
| Precision | RH% | ±4 |
| Max switching current | | |
| NC at 240Vac resistive load | A | 2.2 |
| NC at 120Vac resistive load | A | 4.4 |
| NO at 240Vac resistive load | A | 5 |
| NO at 120Vac resistive load | A | 10 |
| Contact type | - | Change over |
| Electrical connection | - | 3-pole terminal for 2.5 mm ² wire |
| Casing | - | PA6, UL94 V0 self-extinguishing, light grey RAL 7035 |
| Protection degree EN60529 | - | IP20 |
| Operating temperature | °C (°F) | -10/+50 (+14/+122) |
| Storage temperature | °C (°F) | -45/+80 (-49/+176) |
| Mounting | - | Clip for mounting on DIN rail 35 mm EN50022 |
| Installation position | - | Vertical |
| Conformity/Certifications | - | CE |
| Dimensions HxWxD | mm | 91x54x48 |
| Weight (with packaging) | kg | 0.15 (0.17) |

Accessories

| | |
|------------------|------------|
| DIN rail bracket | GUIDADINPL |
|------------------|------------|



Specifications, values and drawings are subject to change without notice.