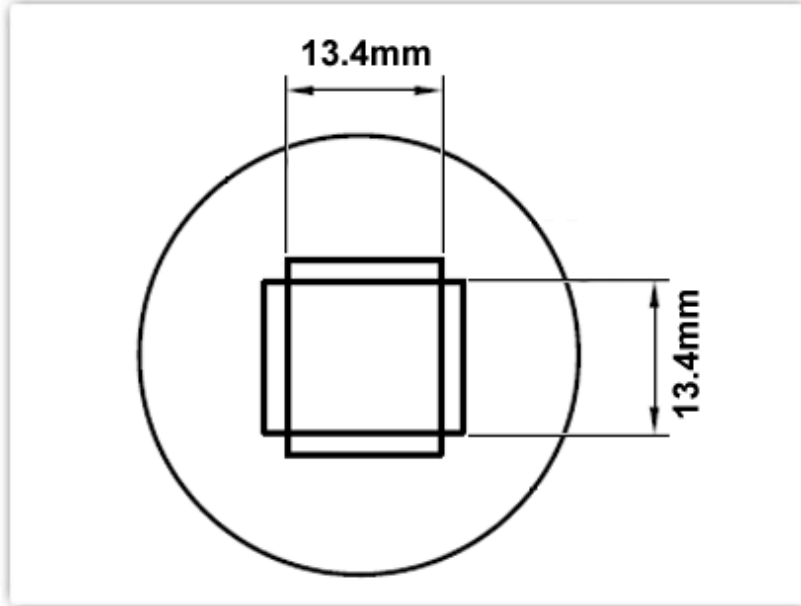


HTN-QF44 Datasheet

Technical Specifications



HTN-QF44

Nozzle 13.4mm x 13.4mm, QFP-44

Nozzle Style: QFP-44

Nozzle Width: 13.40mm (0.53")

Nozzle Height: 13.40mm (0.53")

| | |
|-----------------------------|-------------------------------|
| Nozzle Type: | HTN Series |
| RoHS Compliant / Lead Free: | YES |
| Equivalent to: | H-Q10 |
| For Use With: | TMT-HA200, TMT-HA300, HCT-900 |

Material Composition

Stainless Steel



**All components
are RoHS
compliant and
Lead-Free.**



**Standard Connector
22mm (0.87") diameter**