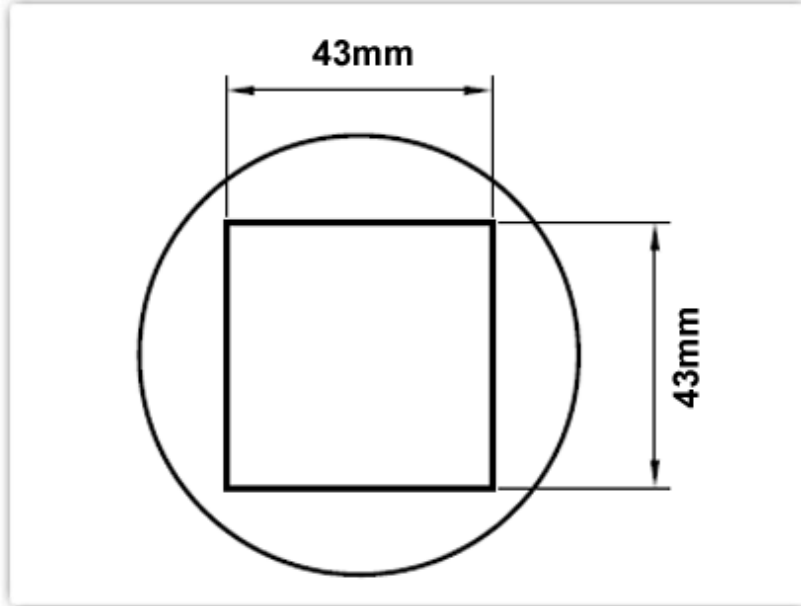


HTN-B4343 Datasheet

Technical Specifications



HTN-B4343

Nozzle 43.0mm x 43.0mm, BGA

Nozzle Style: BGA

Nozzle Width: 43.00mm (1.69")

Nozzle Height: 43.00mm (1.69")

| | |
|-----------------------------|-------------------------------|
| Nozzle Type: | HTN Series |
| RoHS Compliant / Lead Free: | YES |
| For Use With: | TMT-HA200, TMT-HA300, HCT-900 |

Material Composition

Stainless Steel



**All components
are RoHS
compliant and
Lead-Free.**

**Standard Connector
22mm (0.87") diameter**