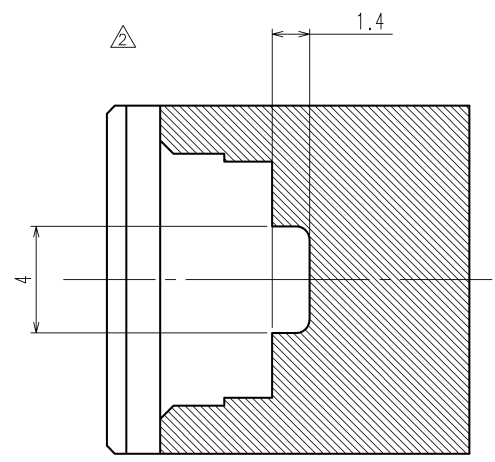
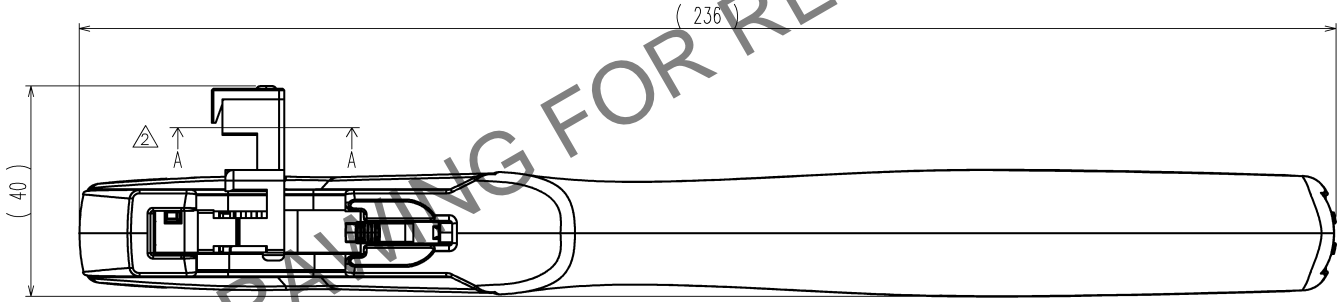
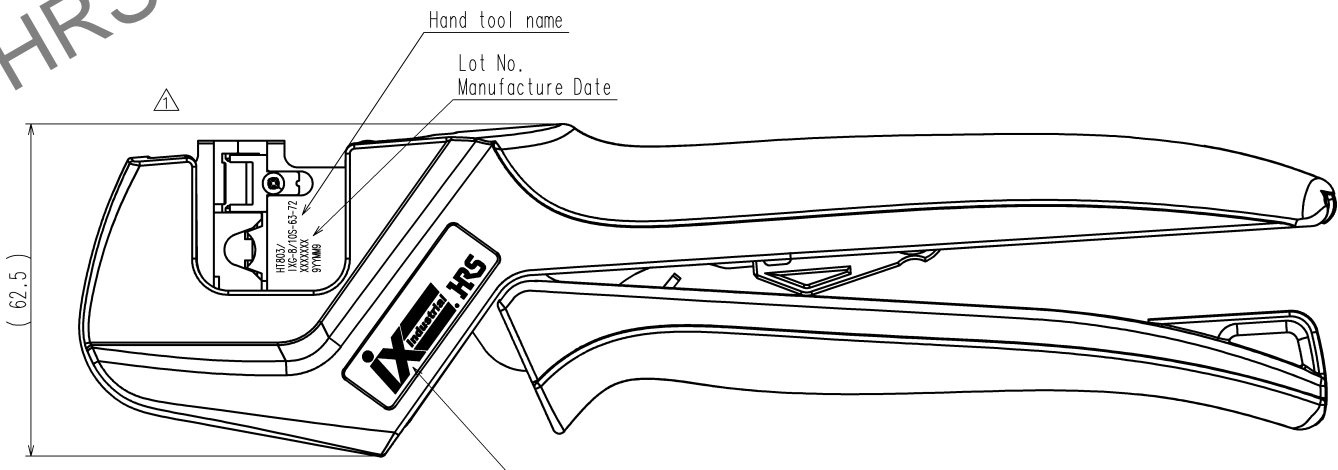


Jul.1.2023 Copyright 2023 HIROSE ELECTRIC CO., LTD. All Rights Reserved.  
 In case of consideration for using Automotive equipment / device which demand high reliability, kindly contact

COUNT	DESCRIPTION OF REVISIONS	BY	CHKD	DATE	COUNT	DESCRIPTION OF REVISIONS	BY	CHKD	DATE
1	DIS-P-00001081	HOSHINO	TOKUTA	20. 10. 5					
2	DIS-P-00001220	WATANABE	TOKUTA	20. 10. 26					



A-A (5:1)



Note 1. This drawing shows HT803/IXG-8/10S-63-72.

2			4		
1			3		
NO.	MATERIAL	FINISH, REMARKS	NO.	MATERIAL	FINISH, REMARKS
CODE NO. (OLD) CL			DRAWN	DESIGNED	CHECKED
			M.HOSHINO 19. 5. 7	N.SUGITA 19. 5. 7	T.ARAKAWA 19. 5. 9
			APPROVED	RELEASED	
			T.ARAKAWA 19. 5. 9		
DRAWING NO. EDC3-285383-00-00			PART NO. HT803/IXG-8/10S-63-72		
SCALE 1 : 1			CODE NO. CL902-2218-0		
UNITS mm			HRS HIROSE ELECTRIC CO., LTD		

TO
PE

HRS DRAWING FOR REFERENCE