

High-current probe

HSS-120 306 230 A 2210

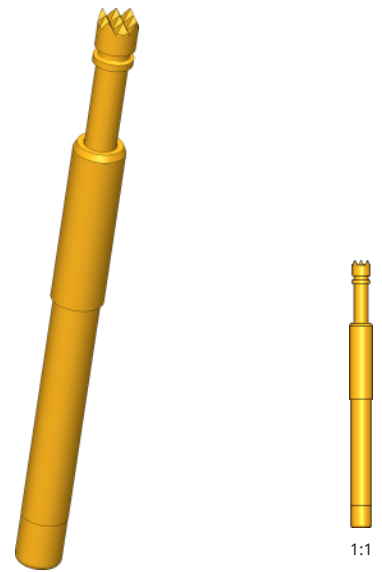
Item HSS-120-0038



- Trusted, robust high-current probes, optimally sized for current load capacity ratio
- Low resistance probe with Ri typical: < 10 mOhm
- Large selection of tip styles and spring forces for optimum contact with DUT
- Optimum adjustment of the stroke ratios in the test fixture: The test probe collar is available in different heights, which, in combination with the receptacles, allows a range of installation heights

General data

Product group	High-current test probe
Sub-product group	Standard HSS (press-in)
Series	HSS-120
Grid	4 mm [157 mil]
Contacting from	Pin, Post, Flat contact
Magnetic	Yes
Installation type	Plug-in
Quick-exchange system	Yes
Adjustable installation height	No
Non-rotating	No
Compatible receptacle(s)	KS-113, KS-113 23
Min. temperature	- 100 °C [- 212 °F]
Max. temperature	+ 200 °C [+ 392 °F]
RoHS-compliant	RoHS-3;6c

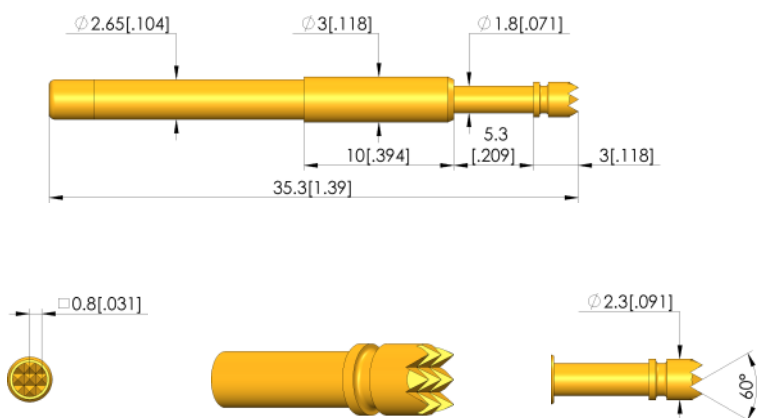


Electrical data

Current load capacity / rated current	30 A
Typical resistance (Ri)	<10 mOhm

Mechanical data

Total length	35.3 mm [1.38 in]
Barrel diameter	2.65 mm [.104 in]
Maximum stroke	5.3 mm [.208 in]
Spring pre-load	0.58 N [2.08 ozf]
Collar height	10
Spring force at working stroke	2.25 N [8.09 ozf]
Recommended working stroke	4 mm [.157 in]



Tip style data

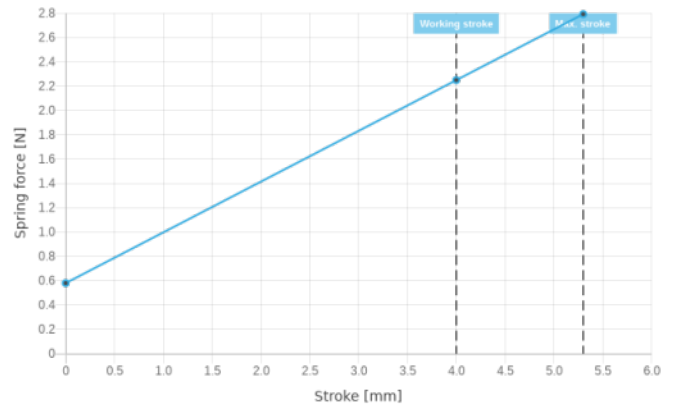
Tip style	06 serrated
Tip diameter	2.3 mm [.090 in]
Tip style surface	A gold
Tip style material	3 CuBe

HIGH-CURRENT TEST PROBE

High-current probe
HSS-120 306 230 A 2210
Item HSS-120-0038



ingun[®]
Partner for Future Technology



INGUN Prüfmittelbau GmbH

Max-Stromeyer-Straße 162
78467, Constance, Germany
Phone +49 7531 8105-0
Customer hotline +49 7531 8105-888
Fax +49 7531 8105-65
info@ingun.com



Prices and delivery times on request.
Technical changes reserved. 11/23 EN

Learn more about
High-current test probe



HIGH-CURRENT TEST PROBE