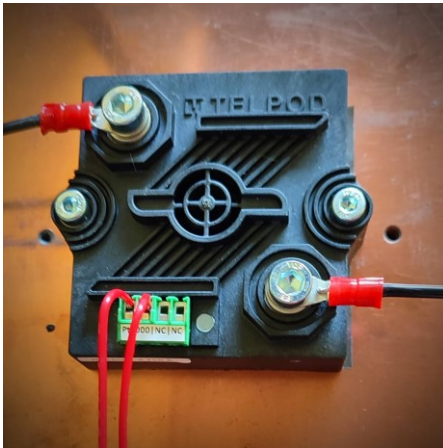


HPR2000

THICK-FILM, ULTRA HIGH POWER RESISTOR SERIES

Characteristics



Features

- Non-Inductive design
- Ultra-high power density
- Highest Performance
- Materials in accordance with UL 94 V-0
- RoHS, REACH compliant



Applications

- Variable speed drives
- Power supplies
- Control devices
- Motor Control
- Robotics

Description

TELPOD's HPR original series offers 2000 watts of power dissipation when properly heatsinked. The design of the HPR series creates a constant pressure to the cooling plate of approximately 300 N for proper thermal flow. The HPR2000 is ideal for variable speed drives, power supplies, control devices, robotics, motor control and other power designs.

Technical parameters

	HPR-2000
Resistance range	1 Ω ... 100 kΩ
Resistance tolerance	±10%, 5%, 1%
Rated power P _N	2000W
Impulse overload	3000W @ 10s
Dielectric strenght	> 7kV
Insulation resistance	> 400GΩ (5kV)
Temperature coefficient of resistance	0 ±100 ppm/°C
Working temperature range	-55°C ... +170°C
Inductance	80nH
Capacity	110pF (100kHz)
Thermal resistance	0,10°C/W
Mounting - torque for electrical contacts M5	1,5...1,7Nm
Mounting - torque for assembly M4	1,3...1,6Nm
Internal temperature sensor (optional)	PT100/1000, AD22105, (others on request)

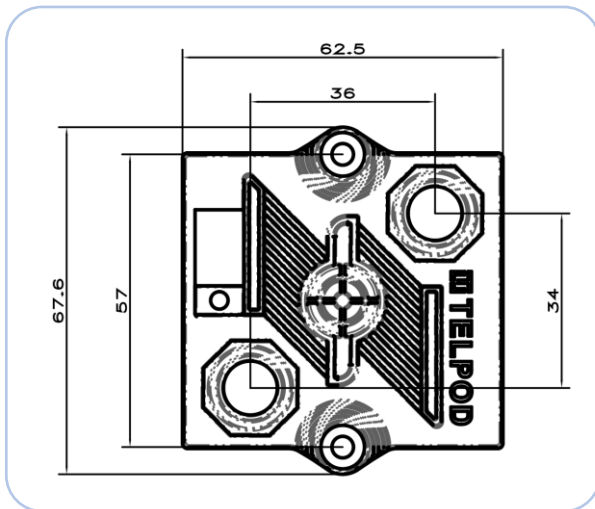
For more information, please contact the technical department.

HPR2000

THICK-FILM, ULTRA HIGH POWER RESISTOR SERIES

Dimensions and materials

Dimensions in [mm]



Mounting to the heat sink

The resistor should be screwed to the heat sink with M4x20 screws with 1,5Nm. In order to ensure effective heat transfer, we recommend using effective thermal grease.

Ordering informations

optional			
Series	Internal temperature sensor	Resistance	Tolerance
HPR-2000	without (standard) Z – PT100 X – PT1000 I – AD22105	1Ω,...,100kΩ xRx < 10Ω < xxR < 1kΩ xKx < 10kΩ xxK	K = ±10 % (standard) J = ±5%, F = ±1%

Example: HPR2000 X 20R K

TELPOD S.A.
Pilsudskiego 63A
32-050 Skawina
www.telpod.eu

Sales Department
Tel.: +48 (0)12 257 10 35
Fax: +48 (0)12 257 10 13
order@telpod.pl

Technical Division
Tel.: +48 (0)12 257 10 12
thickfilm@telpod.pl

