

Enclosures can be Factory Modified (Milling, Drilling, Printing etc.)
Contact Factory mjm@hammondmfg.com for quotes
Solid models of this enclosure available in STEP or IGES.
(Part number and text placement/orientation on our products are subject to change, we do not recommend using them as a locating reference for modification purposes)

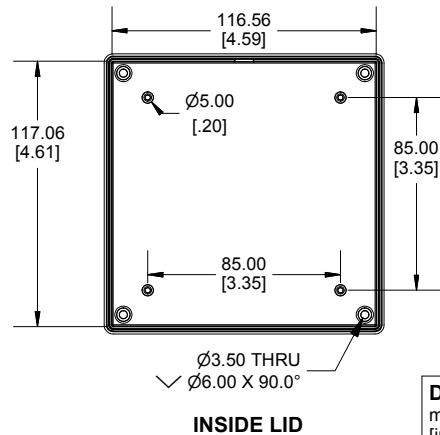
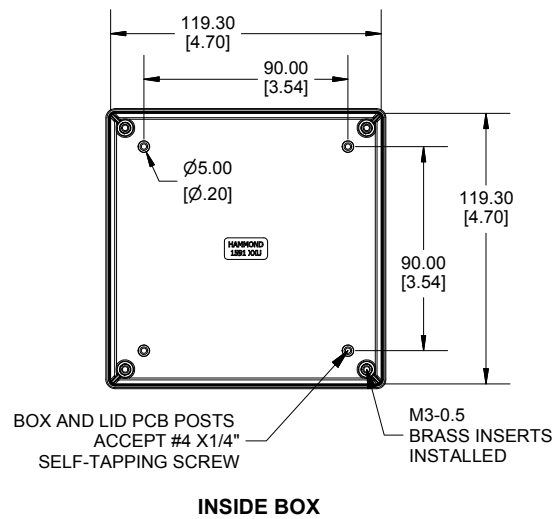
| NOTE | |
|---|--|
| Purchased assembly includes box, lid, 4 cover screws and installed brass inserts. | |
| Enclosure molded from FRABS UL 94-V0 Plastic. | |
| Other materials / colours available consult factory. | |
| Recommended Torque : (43-50) Ozf.in / (30-35) cN.m | |

| PART NUMBERS | |
|-------------------------------------|-----------------------|
| 1591XXU Enclosure | |
| Black Textured Enclosure | 1591XXUBK |
| Gray Textured Enclosure | 1591XXUGY |
| ACCESSORIES | |
| Black Cover Screws [M3-0.5 X 10mm] | 1591MS100BK (Pkg 100) |
| Plated Cover Screws [M3-0.5 X 10mm] | 1591MS100 (Pkg 100) |
| P.C. Board Screws | 1593ATS50 (Pkg 50) |
| [#4 x 1/4" self-tapping (6.4mm)] | 1593ATS100 (Pkg 100) |

**HAMMOND
MANUFACTURING®**

1591XXU

www.hammondmfg.com



Dimensions:
mm
[inches]