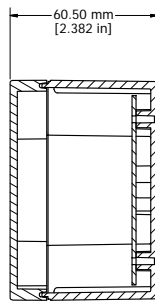
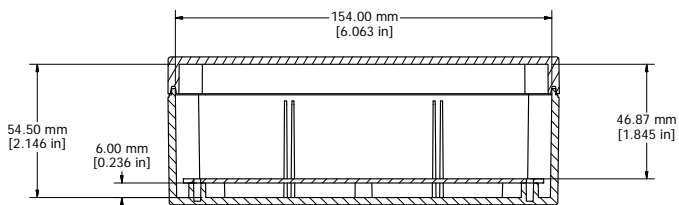
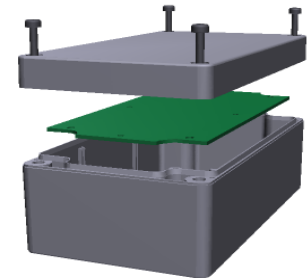


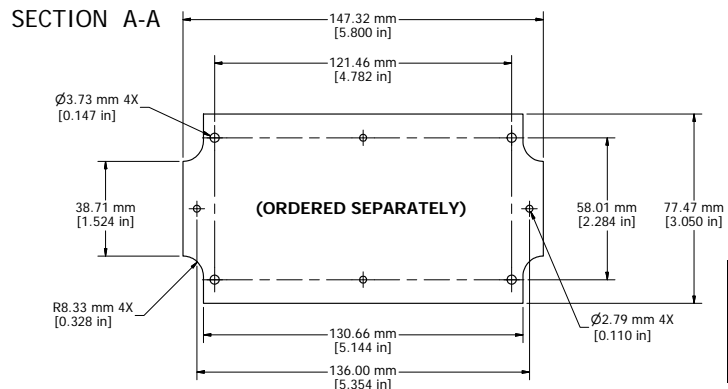
ASSEMBLY



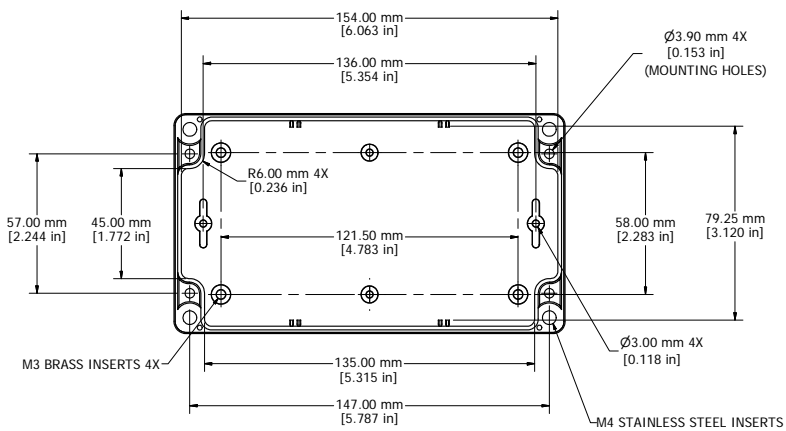
SECTION A-A



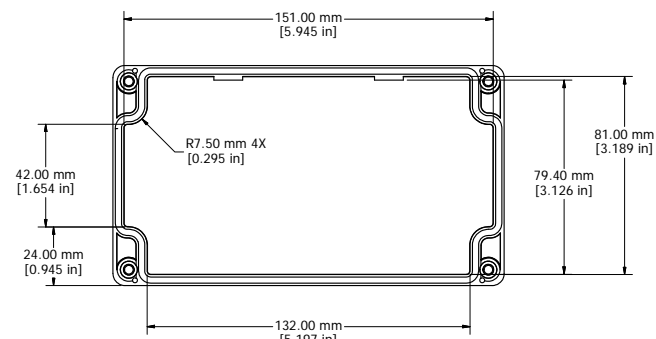
SECTION B-B



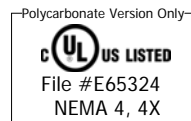
STEEL INNER PANEL



BOX - INSIDE



LID - INSIDE



Enclosures can be Factory Modified (Milling, Drilling, Printing etc.)
Contact mjm@hammondmg.com for Quotes.
Solid models of this enclosure available in STEP or IGES see Web.

NOTE	
Purchased assembly includes box, lid, 4 cover screws, and preformed silicone gasket.	
General Purpose ABS version is not UL approved. (Matl UL94 - HB)	
Polycarbonate version is UL 508 approved. (Matl UL94 - V0)	
Recommended Cover screw torque ~ 2.5 lbf-in (30 cN-m)	

1554J	
1554J Regular Enclosure	
General Purpose ABS RAL-7035	1554JGY
Polycarbonate RAL-7035	1554J2GY
1554J Clear / Smoke Lid Enclosure	
Polycarbonate Box / Clear Polycarbonate Lid	1554J2GYCL
Polycarbonate Box / Smoke Polycarbonate Lid	1554J2GYSL
ACCESSORIES	
Steel Inner Panels	1554JPL
Steel Panel / P.C. Board Machine Screw [M3 x 8mm Plated]	1591MM100
Steel Panel / P.C. Board Self Tapping Screw [#6 X 1/4" (6.4mm) Plated]	1598ATS100
Cover Screws (Pkg 4) [M4 X 20mm Stainless Steel]	SC1554

