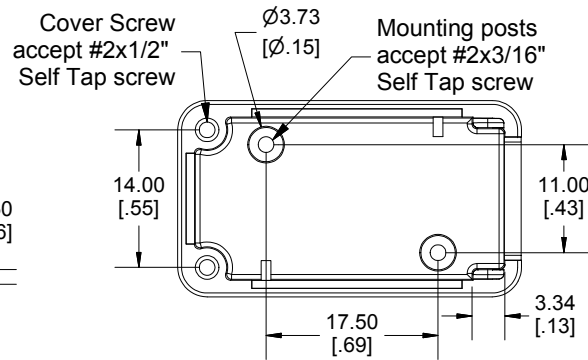
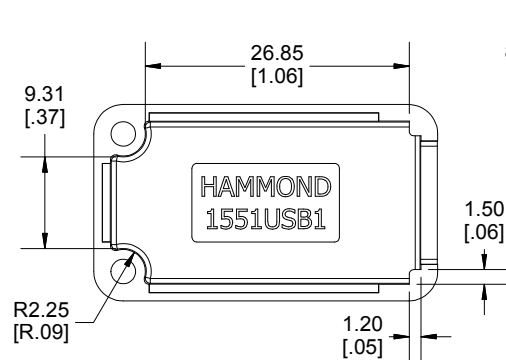
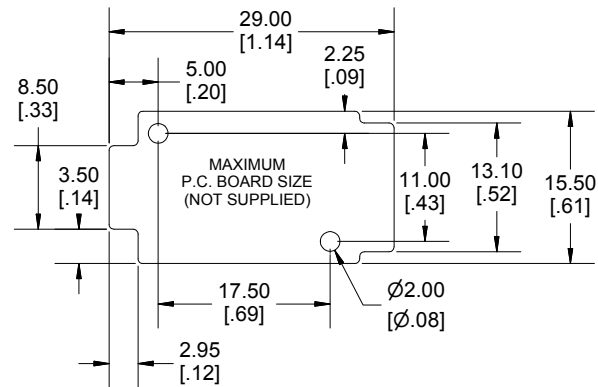


**SECTION B-B**



Enclosures can be Factory Modified ( Milling, Drilling, Printing etc.)  
 Contact Factory [mjm@hammondmfg.com](mailto:mjm@hammondmfg.com) for quotes  
 Solid models of this enclosure available in STEP or IGES.  
 (Part number and text placement/orientation on our products are subject to change,  
 we do not recommend using them as a locating reference for modification purposes)

**NOTE**

Purchased assembly includes box, lid, 2 cover screws.  
 Enclosure molded from general purpose ABS Plastic.  
 Other materials / colours available consult factory.

**Recommended Torque : (35-43) Ozf.in / (25-30) cN.m**

**PART NUMBERS**

1551USB1 Enclosure	
Black Enclosure - Ral 9011 - UL94 - HB	1551USB1BK
Gray Enclosure - RAL 7035 - UL94 - HB	1551USB1GY
Translucent Blue - UL94 - HB	1551USB1TBU
Translucent Clear - UL94 - HB	1551USB1CLR
Translucent Smoke - UL94 - HB	1551USB1TSK
Translucent Red - UL94 - HB	1551USB1TRD

**ACCESSORIES**

P.C. Board Plastite Self Tapping Screw [#2 x 3/16" self-tapping (4.8mm)]	1553WTS100 (Pkg 100)
Black Cover Screws #2 X 1/2" Self-tapping	1551USB50BK (Pkg 50)

**HAMMOND  
MANUFACTURING**

**1551USB1**  
www.hammondmfg.com

**Dimensions:**  
mm  
[inches]