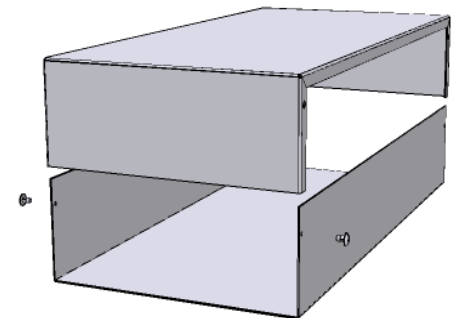
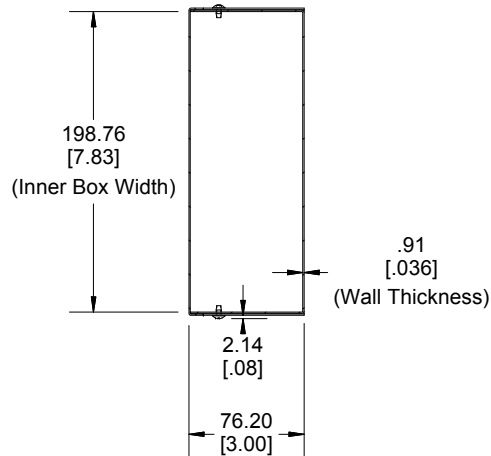
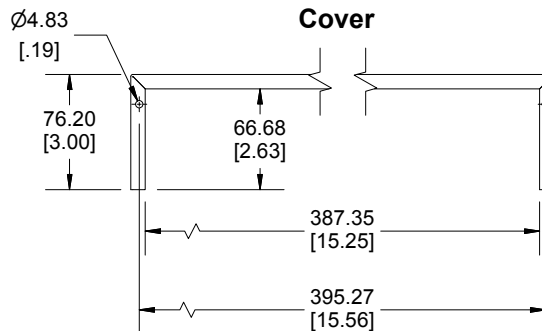
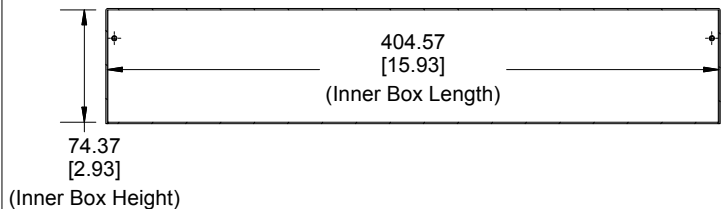


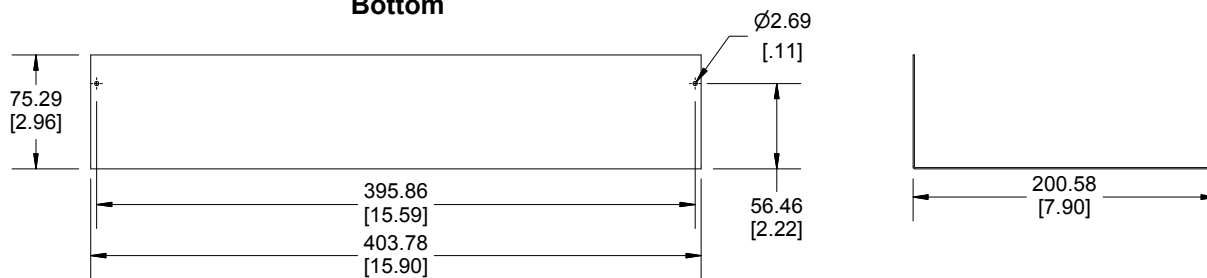
**SECTION A-A
End View of Assembly**



**SECTION B-B
Side View of Assembly**



Bottom



Enclosures can be Factory Modified (Milling, Drilling, Printing etc.)
Contact Factory mjm@hammondmfg.com for quotes
Solid models of this enclosure available in STEP or IGES.

NOTE

Purchased assembly includes bottom, cover and 4 cover screws.
Bottom and cover are made from 0.036" Steel.

PART NUMBERS

1412Y Enclosure

ASA 61 Grey Enclosure

1412Y

ACCESSORIES

Plated Cover Screws (Pkg 6)

1421J6

[6-32 x 1/4" Self-Tapping Screws]



**HAMMOND
MANUFACTURING™**

1412Y

www.hammondmfg.com

Dimensions:
mm
[inches]