



ONPOW

中国·红波按钮

HBJD series 40type Warning Light

Specifications

- ⊗ Operating Temperature: -25°C ~ $+55^{\circ}\text{C}$
- ⊗ Relative air humidity: $\leq 98\%$
- ⊗ Height above sea level: $\leq 2000\text{m}$
- ⊗ Vibration strength: 50Hz, amplitude about 1.2mm
- ⊗ Continuous working time: 40000 hrs (LED continual light type)
25000hrs (LED flash light type)
- ⊗ Sound pressure level: 80~90dB (1m)
- ⊗ Pollution class: class 3



Part-number Description

HBJD - 40 / □ / ■ / △ / ▲ / ●						
Code of series	Size: Φ40mm	Signal source: D Continual light DZ Continual buzzer with continual light DW Discontinuous buzzer with continual light	Layers: 1 one layer 2 two layers 3 three layers	Color: R G Y B W From up to down	Use voltage: AC/DC 24V AC 220V	Installation method: A Standard type B with base C Side install with nut

Installation instruction

washer
 hex nut
 waterproof contact
 side install bottom HBJD-CZ-4
 hex nut
 waterproof contact
 adapter sleeve HBJD-LJT-1
 aluminum alloy connecting rod(100mm) HBJD-LG-1
 round base HBJD-SZ-2

A standard type

C Side installation with nut

B with base

A standard

C side installation
I with nut

B with base

HBJD series 40type Warning Light

Product outline

HBJD - 40 / □ / ■ / △ / ▲ / ●



singal layer

singal layer with buzzer

two layers

two layers with buzzer

three layers


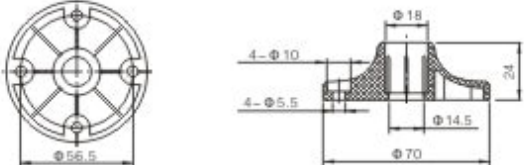

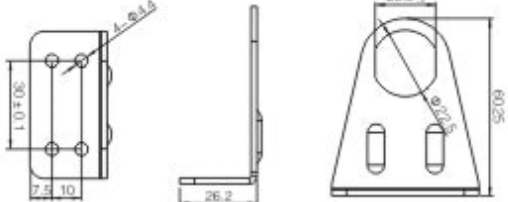

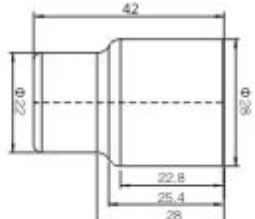

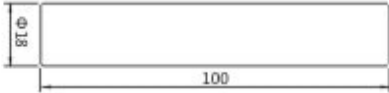
three layers with buzzer

□	■	△	▲	●	Dimension figure
Sound and light type	Layer number	Led color	Service voltage	Way to install	
D:Continual light	1:one layer	R G B Y W	24V:DC24V 220V:AC220V	A Standard type B with base C Side installation with nut	
DZ Continual buzzer with continual light DW Discontinuous buzzer with continual light	1:one layer (with buzzer)	R G B Y W	24V:DC24V 220V:AC220V	A Standard type B with base C Side installation with nut	
D:Continual light	2:two layers	R G B Y W	24V:DC24V 220V:AC220V	A Standard type B with base C Side installation with nut	
DZ Continual buzzer with continual light DW Discontinuous buzzer with continual light	2:two layers (with buzzer)	R G B Y W	24V:DC24V 220V:AC220V	A Standard type B with base C Side installation with nut	
D:Continual light	3:three layers	R G B Y W	24V:DC24V 220V:AC220V	A Standard type B with base C Side installation with nut	
DZ Continual buzzer with continual light DW Discontinuous buzzer with continual light	3:three layers (with buzzer)	R G B Y W	24V:DC24V 220V:AC220V	A Standard type B with base C Side installation with nut	

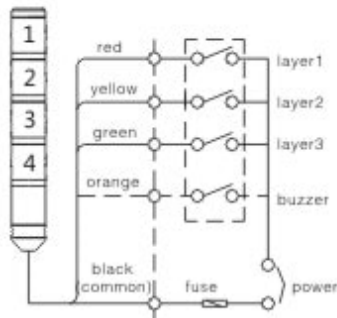
Note: sepcial voltage made to order; LED color mark from up to down.

HBJD series 40type Warning Light accessories

Product outline

Cutline and part number	Dimension figure
 <p>Vertical installed base HBJD-SZ-2</p>	
 <p>Side installed base HBJD-CZ-4</p>	
 <p>Connecting sleeve HBJD-LJT-1</p>	
 <p>aluminum alloy connecting rod(100mm) HBJD-LG-1</p>	

wiring diagram



Matters needing attention:

To preventing of fire and electric shock from happening; Users must pay attention of following matters;

- ⊗ Power must be cut off before installation; construction and inspection!
- ⊗ No open fire around this product, operating temperature ≤55℃!
- ⊗ Power line must be approved by safety usage standard!
- ⊗ Base and connecting part assembly must be reliable!
- ⊗ Installation and maintain of this product must be operated by professional!