




## Product information G 30 E-2 schwarz/black

Industrial Connecting Solutions:Rectangular Connectors:DIN VDE 0627 / IEC 61984 Connectors (G serie):Accessories G-series:G 30 E-2 schwarz/black

<http://www.e-catalog.beldensolutions.com/link/57078-24228-256261-24347-24350-37034/en/conf/ui/state>

Name	G 30 E-2 schwarz/black
	
	Flat gasket, for panel-mounted connectors with flange, material thickness: 0,8 mm
<b>Delivery informations</b>	
Availability	available
<b>Product description</b>	
Description	Flat gasket, for panel-mounted connectors with flange, material thickness: 0,8 mm
Type	G 30 E-2 schwarz/black
Order No.	733 415-002
Standard	DIN VDE 0627 / IEC 61984
Housing Color	black
<b>Material</b>	
O-Ring	NBR
<b>Environmental conditions</b>	
Pollution severity	3
Temperature range	-40°C to +90 °C
<b>Packing unit</b>	
Packaging unit	50 pieces
<b>Scope of delivery and accessories</b>	
Scope of delivery	1 flat gasket
Accessories to order separately	can be plugged into G 4 E 1 M grau/grey, G 4 A 5 M schwarz/black, G 4 A 1 M grau/grey, G 30 E 3 M grau/grey



# HIRSCHMANN

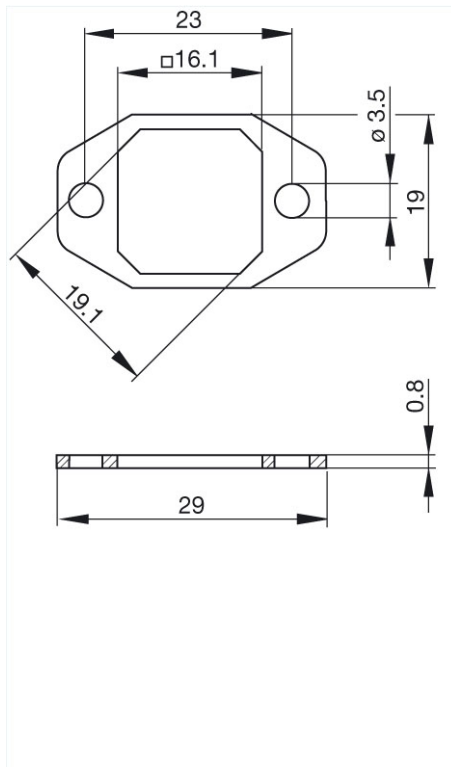
A BELDEN BRAND

Industrial Connecting Solutions:Rectangular Connectors:DIN VDE 0627 / IEC 61984 Connectors (G serie):Accessories G-series:G 30 E-2 schwarz/black

<http://www.e-catalog.beldensolutions.com/link/57078-24228-256261-24347-24350-37034/en/conf/ui/state>

Picture

Drawing



**Belden Deutschland GmbH**

Im Gewerbepark 2

58579 Schalksmühle

Germany

Phone: +49 7127/14-1806

E-Mail: [icos-sales@belden.com](mailto:icos-sales@belden.com)

The information published in the websites has been compiled as carefully as possible. It is subject to alteration without notice in technical as well as in price-related/commercial respect. The complete information and data were available on user documentation. Mandatory information can only be obtained by a concrete query.