

GSM Antenna

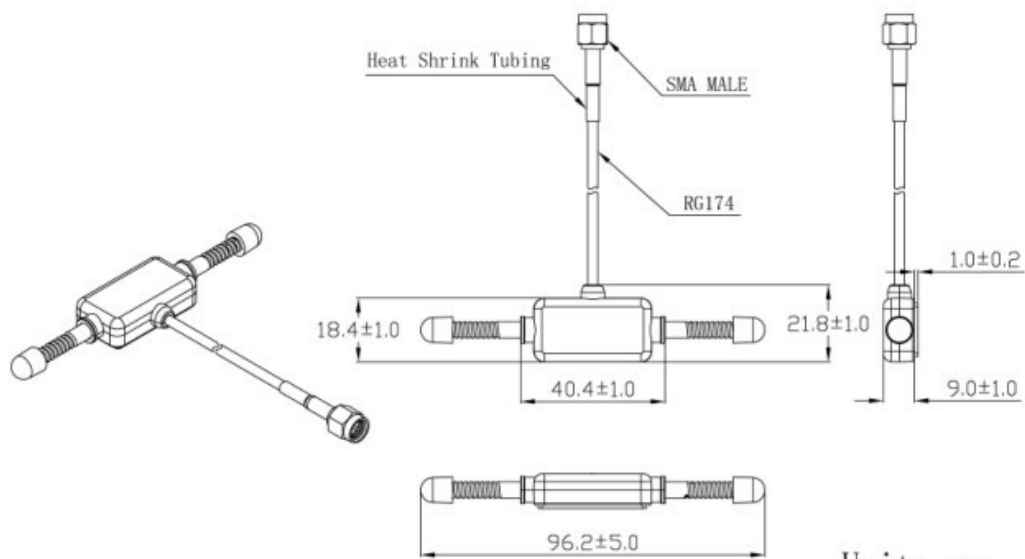
Model: GSM-ANT824



1 Part Number

GSM-ANT824

2 Dimension (Unit: mm)



Unit: mm 1

3 Electrical Characteristics

3.1 GSM Antenna

Form 1

Item	Specifications	
Antenna	Frequency Range	824~960/1710~2655MHz
	Polarization	Linear
	Gain	3dBi
	V.S.W.R	□ 2.0
	Impedance	50Ω
Mechanical	Cable	RG174
	Connector	SMA/FAKRA or others
	Radome Material	ABS
	Mounting Method	Adhesive
Environmental	Operating Temperature	-40°C~+85°C
	Relative Humidity	Up to 95%
	Vibration	10 to 55Hz with 1.5mm amplitude 2hours
	Environmentally Friendly	ROHS Compliant

4 Radiation Pattern

